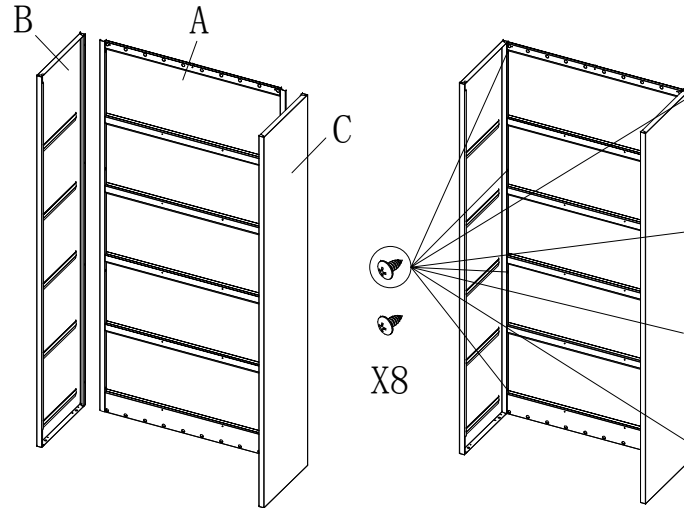
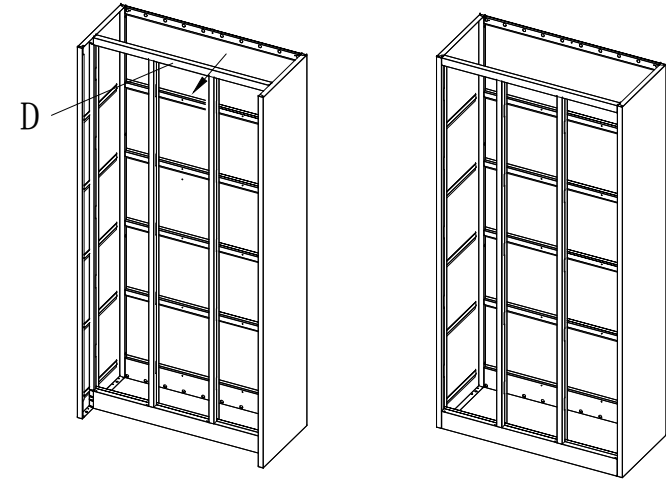


15 doors
change clothes
installation
instructions

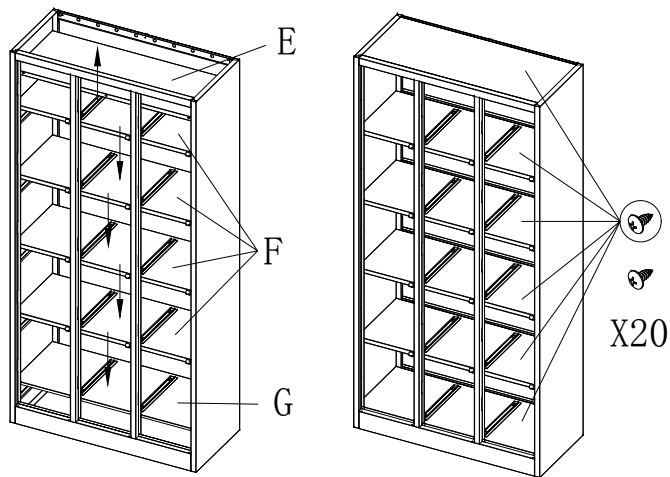
1. As shown in the following figure, the back A and the left and right side plates B, C are connected together by eight self-tapping Ls



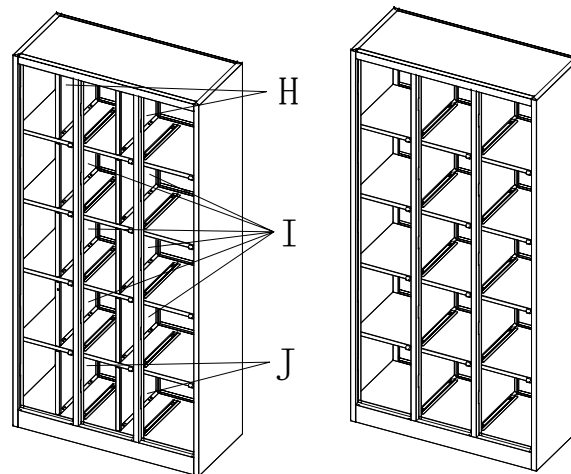
2. As shown in the following figure, the back A and the left and right side plates B, C are connected together by eight self-tapping Ls



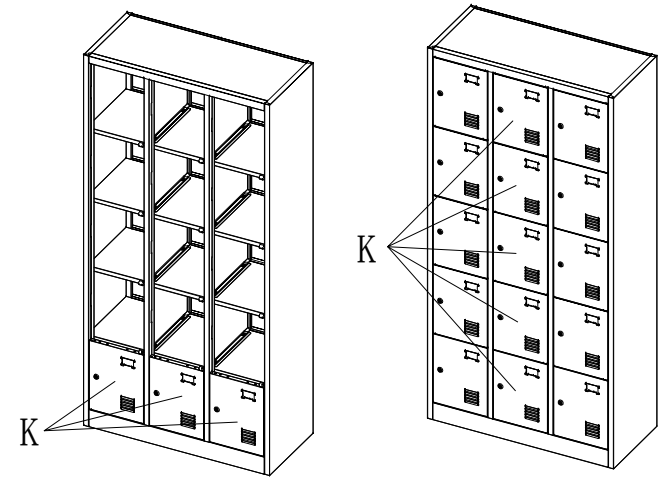
3. Install the top plate E and the bottom plate F and the bottom plate G as shown in the following figure and fasten them with the screws L.

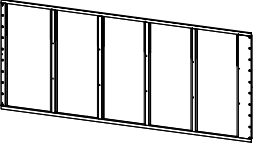
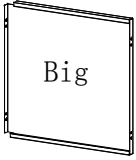
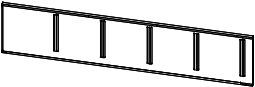
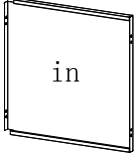
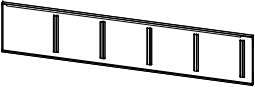
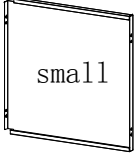
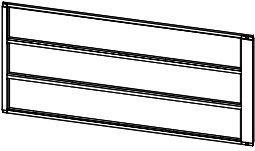
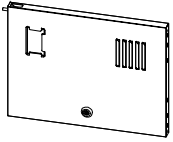
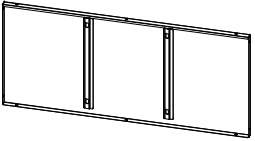

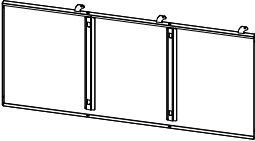

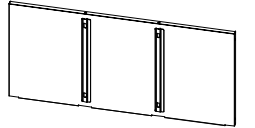
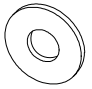


4. As shown below the installation of the lower frame H, I, J (note the right opening, pay attention to distinguish between the upper and lower vertical lattice height)



5. Finally, install the door plate K with the door shaft M (note the size of the upper and lower doors can be used to adjust the door shaft pad N) installed



Part ID	Description	Illustration	Qty	Part ID	Description	Illustration	Qty	Part ID	Description	Illustration	Qty
A	Backplane		1	H	On the vertical grid		2	O			
B	left side plate		1	I	In the vertical grid		6	P			
C	right side plate		1	J	Under the vertical grid		2	Q			
D	Front frame		1	K	Door		15	R			
E	On top		1	L	M5 * 12 self-tapping		28	S			
F	the waist		4	M	Next door shaft		3	T			
G	Lower		1	N	Shaft door mat		15	U			