

cecotec

Rock'nGrill Pro

Parrilla eléctrica/Contact grill



Manual de instrucciones
Instruction manual
Manuel d'instructions
Bedienungsanleitung
Manuale di istruzioni
Manual de instruções

INDEX

1. Safety instructions	/ 10
2. Pieces and components	/ 11
3. Before use	/ 11
4. Operation	/ 11
5. Cleaning and maintenance	/ 14
6. Technical details	/ 14
7. Disposal of electrical appliances	/ 14
8. Technical support service and warranty	/ 15

Read these instructions thoroughly before using the appliance. Keep this instruction manual for future reference or new users.

1. SAFETY INSTRUCTIONS

- All safety instructions should be closely followed when using the appliance.
- Make sure that the mains voltage matches the voltage stated on the rating label of the appliance and that the wall outlet is grounded.
- To reduce the risk of electric shock, this appliance has been equipped with a grounded plug. If the plug does not fit fully into the wall outlet, contact a qualified electrician. Do not modify the plug in any way, nor use a power adapter.
- Do not immerse the cord, plug, or any non-removable part of the appliance in water or any other liquid, nor expose the electrical connections to water. Make sure your hands are dry before handling the plug or switching on the appliance.

WARNING: if the grill falls accidentally in water, unplug it immediately. Do not reach into the water!

- Check the power cord regularly for visible damage. If the cord is damaged, it must be replaced by the official Technical Support Service of Cecotec, in order to avoid any type of danger.

WARNING: do not use the appliance if its cord, plug, or housing is damaged, nor after it malfunctions or has been dropped or damaged in any way.

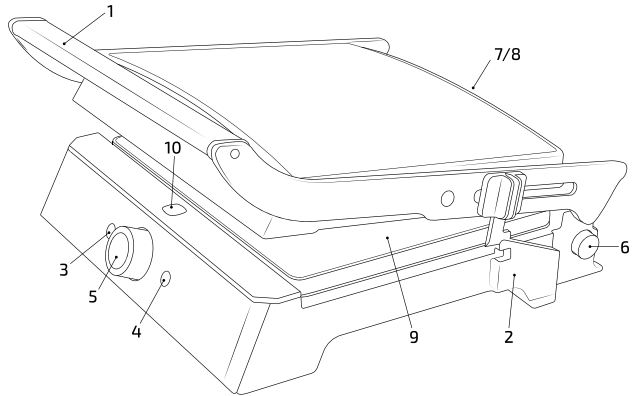
- Do not twist, bend, strain, or damage the power cord in any way. Protect it from sharp edges and heat sources. Do not let it touch hot surfaces. Do not let the cord hang over the edge of the working surface or countertop.
- The appliance is not intended to be operated by means of an external timer or separate remote-control system.
- Turn off and unplug the appliance from the mains supply when not in use and before cleaning. Pull from the plug, not the cord, to disconnect it from the outlet.
- This appliance is intended for domestic use only. It is not suitable for commercial or industrial use. Do not use it outdoors.
- Do not use any accessory that has not been recommended by the manufacturer, as they might cause injuries or damage.
- The appliance is not intended to be used by children under the age of 8. It can be used by children over the age of 8, as long as they are given continuous supervision.
- This appliance is not intended to be used by persons with reduced physical, sensory, or mental capabilities, or lack of experience or knowledge, unless they have been given supervision or instruction concerning the use of the appliance in a safe way by a person responsible for their safety, and understand the hazards involved.
- Supervise young children to make sure that they do not play with the appliance. Close supervision is necessary when the appliance is being used by or near children.
- Keep the appliance and its cord out of reach of children under the age of 8.
- Place the appliance on a dry, stable, flat, heat-resistant surface.
- Do not use the appliance under the following circumstances:
 - On or near a gas or electric hob, in heated ovens, or near open flames.



- On soft surfaces (such as carpets) or where it may tip over during use.
- Outdoors or in areas with high humidity levels.
- Near or below flammable materials (such as curtains, cloths, wall hangings, tea towels, etc.) or under wall cabinets.
- Cleaning and maintenance must be carried out according to this instruction manual to make sure it functions properly. Turn off and unplug the appliance before moving and cleaning it. Allow it to cool down completely before cleaning and storing it.
- Cleaning and maintenance tasks must not be carried out by children.
- Store the appliance and its instruction manual in a safe and dry place when not in use.
- The temperature of accessible surfaces may be high while in use and could cause burns. Do not touch hot surfaces while in use or immediately after. Use its handles.

2. PARTS AND COMPONENTS

1. Handle
2. Lock and support
3. Power light
4. Ready light
5. Temperature dial
6. 180° release button
7. Grease nozzle
8. Drip tray
9. Reversible heating plates
10. Plate release button



3. BEFORE USE

- This product has been packaged to protect it against transportation damage. Unpack the appliance and keep the original packaging carton and materials in a safe place. It will help prevent any damage if the product needs to be transported in the future. In case the original packaging is disposed of, make sure all packaging materials are recycled accordingly.
- Clean the Cooking Plates with a wet sponge or cloth.
- Dry them with a cloth or paper towel.
- For best results, lightly coat the cooking plates with a bit of cooking oil or cooking spray.

NOTE: you may notice a slight burning smell or smoke when using the grill for the first time, caused by the excess of lubricants from the manufacturing process. This does not affect the safety of your appliance.

4. OPERATION

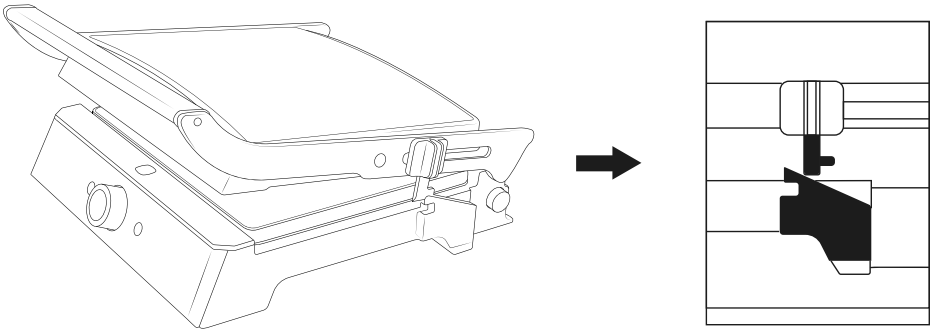
- Close the press grill and plug it to the mains supply. You will notice that the red power light turns on, indicating that the grill is on.
- Turn the temperature dial clockwise to adjust the temperature to your desired liking. Try a

middle setting at first, and adjust the temperature to your liking in later uses.

- The green indicator light will turn on, indicating that the grill is preheating. It will take around 3-5 minutes to reach cooking temperature. The green light will turn off when the temperature is reached.
- The grill is ready for use.

Contact Grill

- Turn the temperature dial to the desired position.
- Prepare the burgers, boneless pieces of meat, and thin cuts of meat or other foodstuffs, and place them on the bottom cooking plate.
- Close the top cooking plate, leaving the lock halfway, so that the plates do not touch each other.
- When the food is ready, use the handle to open the grill. Remove the food with the help of a plastic spatula. Do not use metal tongs or a knife on the grill, as these can damage the non-stick coating of the cooking plates.
- Use the grill as a contact grill to cook burgers, boneless pieces of meat, and thin cuts of meat and vegetables.
- Use the grill as a contact grill when you want to cook something in a short amount of time or when you are looking for a healthy cooking method.

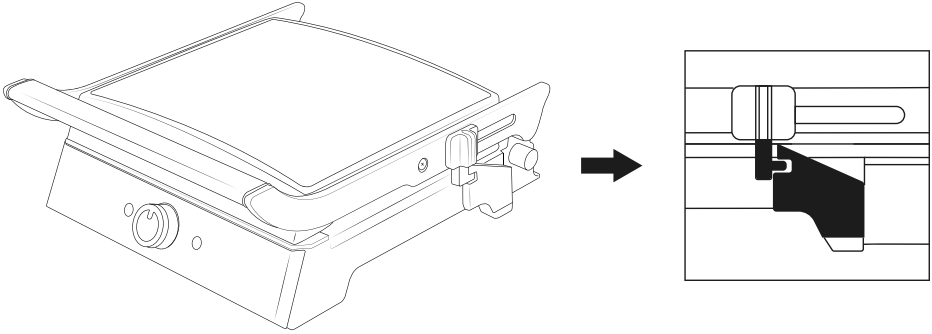


Press grill

- Turn the temperature dial to the desired position.
- Prepare the sandwiches and place them on the bottom cooking plate. Place the sandwiches near the rear end of the bottom cooking plate.
- Close the top cooking plate to evenly press down on the sandwich. The top plate must be fully lowered to cook sandwiches.
- Cook them for about 3 to 6 minutes or until golden brown, adjusting the time to your liking.
- When the sandwich is ready use the handle to open the upper plate. Remove the sandwich with the help of a plastic spatula. Do not use metal tongs or a knife on the grill, as these can damage the non-stick coating.
- Use the grill as a press grill to cook sandwiches, bread, and quesadillas.

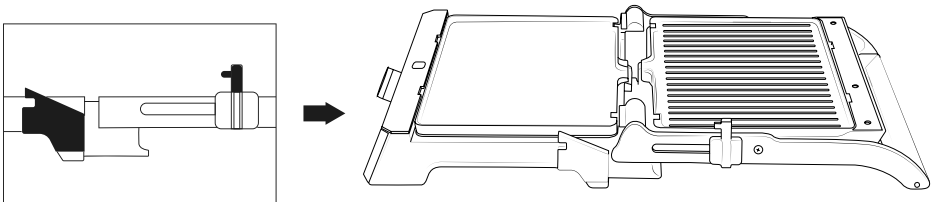


- The grill was designed with a unique handle and hinge that allows the cover to adjust to the thickness of the food. You can easily grill anything from a thinly-sliced potato to a thick sirloin steak with optimal results.
- When cooking more than one foodstuff at once, it is important that the thickness of the foodstuffs is consistent, so that the upper plate can press evenly on the food.



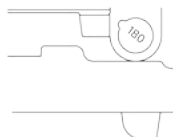
Open grill

- Place the grill on a clean, flat surface.
- With you left hand on the handle, use your right hand to press the release button to the right of the hinge. Lift the upper plate until it rests flat on the countertop.
- Use the grill as an open grill to cook burgers, steak, poultry (we do not recommend cooking bone-in chicken, since it does not cook evenly on an open grill), fish, and vegetables.
- Cooking on the open grill is the most versatile method of using the product. In the open position, the cooking surfaces doubles.
- You can cook different types of foodstuffs separately without mixing their flavours or large amounts of the same type of food.



Extendable Feet

- If you want to remove the excess of fat easily, you can open the extendable feet at the bottom of the appliance.



To remove cooking plates

- Unplug the grill and let it to cool down before removing the cooking plates.
- Place the grill on a clean, flat surface.
- With you left hand on the handle, use your right hand to press the button on the right side of the hinge. Lift the upper plate until it rests flat on the countertop.
- Locate the plate release buttons on front of the plate. Press the button firmly and the plate will pop up slightly from the base. Grasp the plate with two hands, slide it out from under the metal brackets, and lift it off the base. Press on the other plate release button to remove the other cooking plate in the same way.
- The cooking plates are reversible.

5. CLEANING AND MAINTENANCE

- Unplug the press grill and let it to cool down before cleaning. The unit is easier to clean when slightly warm. Do not immerse the product in water, nor wash it in dishwashers.
- Wipe the cooking plates with a soft cloth to remove food residue. If any foodstuff has stuck to the cooking plates, pour a bit of warm water mixed with detergent over the food residue and clean the plates with a non-abrasive plastic scouring pad.
- The plates can be detached and washed in the dishwasher.
- Do not use abrasive materials that could scratch or damage the non-stick coating.
- Wipe the outside of the grill with a damp cloth only. Do not clean the outside with any abrasive scouring pad, as this will damage the finish. Do not immerse in water or any other liquid.
- Do not place in the dishwasher.
- Remove and empty the drip tray after each use. Wash the tray in warm, soapy water. Avoid the use of scouring pads or harsh detergents as they may damage its surface. Rinse and dry thoroughly with a clean, soft cloth, and put it back in place.
- Keep the product in a cool, dry place.
- You can use the lock to keep the plates together, in order to store the product in upright position.

6. TECHNICAL SPECIFICATIONS

- Product reference: 03026
- Power: 2000 W
- Voltage and frequency: 220-240 V ~ 50-60 Hz
- Made in P.R.C. | Designed in Spain

7. DISPOSAL OF OLD ELECTRICAL APPLIANCES



The European directive 2012/19/EU on Waste Electrical and Electronic Equipment (WEEE), specifies that old household electrical appliances must not be disposed of with the normal unsorted municipal waste. Old appliances must be collected separately, in order to optimize the recovery and recycling of the materials they contain, and reduce the impact on human health and the environment. The crossed out "wheeled bin" symbol on the product reminds you of your obligation to dispose of the appliance correctly. If the product has a built-in battery or uses batteries, they should be



removed from the appliance and disposed of appropriately.

Consumers must contact their local authorities or retailer for information concerning the correct disposal of old appliances and/or their batteries.

8. TECHNICAL SUPPORT SERVICE AND WARRANTY

This product is under warranty for 2 years from the date of purchase, as long as the proof of purchase is submitted, the product is in perfect physical condition, and it has been given proper use, as explained in this instruction manual. The warranty will not cover the following situations:

- The product has been used for purposes other than those intended for it, misused, beaten, exposed to moisture, immersed in liquid or corrosive substances, as well as any other fault attributable to the customer.
- The product has been disassembled, modified, or repaired by persons, not authorised by the official Technical Support Service of Cecotec.
- Faults deriving from the normal wear and tear of its parts, due to use. The warranty service covers every manufacturing defects of your appliance for 2 years, based on current legislation, except consumable parts. In the event of misuse, the warranty will not apply. If at any point, a fault is detected, contact the official Technical Support Service of Cecotec and send us your proof of purchase via e-mail at:

sat@cecotec.es



www.cecotec.es

Grupo Cecotec Innovaciones S.L.
C/ Pinadeta s/n, 46930
Quart de Poblet, Valencia, Spain