

cecotec

TitanMill 200

Molinillo de café y especias/Coffee and herb grinder /Кавомолка/Кофемолка



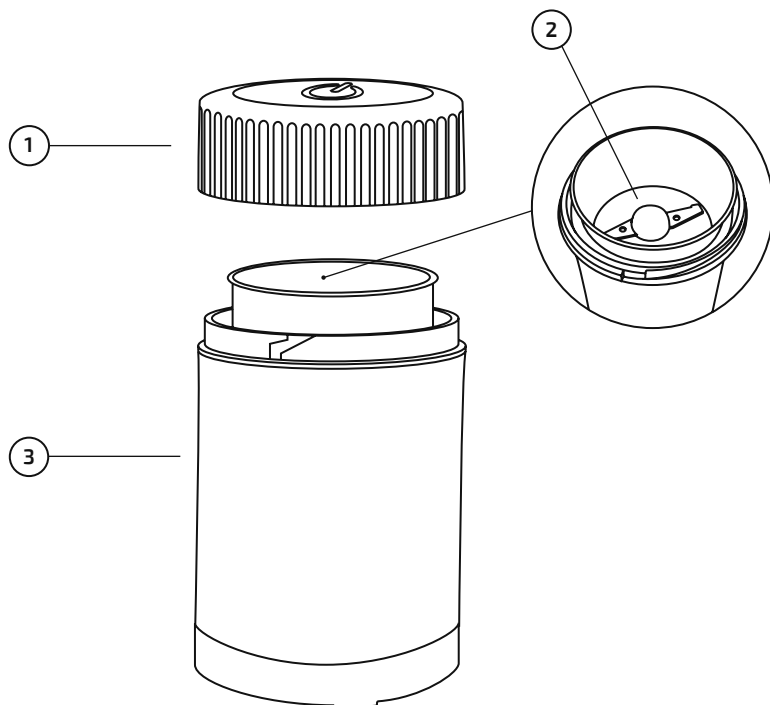
Manual de instrucciones
Instruction manual
Інструкція з експлуатації
Руководство по эксплуатации

INDEX

1. Safety instructions	/ 09
2. Before use	/ 10
3. Operation	/ 10
4. Recommendations for use	/ 10
5. Cleaning and maintenance	/ 10
6. Technical specifications	/ 11
7. Technical support service and warranty	/ 11
8. Disposal of old electrical appliances	/ 11

PIEZAS Y COMPONENTES

Parts and components/ Компоненти пристрою



EN

- 1. Lid
- 2. Blades
- 3. Main body



Read these instructions thoroughly before using the appliance. Keep this instruction manual for future reference or new users.

1. SAFETY INSTRUCTIONS

- When using this electrical appliances in order to reduce the risk of fire and electric shock and/or injury to persons basic safety precautions should be followed. Please ensure you read these instructions before you operate this product, they have been written to ensure you get the very best from your purchase. You should respect the following safety warnings.
- Read all instructions.
- Before plugging into a socket, check whether your voltage corresponds to the rating label in the appliance.
- Close supervision is necessary when any appliance is used near children. Children should not use this appliance.
- Blades are sharp. Handle carefully.
- Never let the appliance run unattended.
- Always disconnect the appliance from the supply if it is left unattended and before assembling, disassembling or cleaning.

ATTENTION: If the supply cord is damaged, it must be replaced by the manufacturer, its service agent or similarly qualified persons in order to avoid a hazard.

- Switch off the appliance and disconnect from supply before changing accessories or approaching parts that move in use.
- The use of accessory attachments not recommended or sold by the manufacturer may result in fire, electric shock or personal injury.
- Do not let cord hang over edge of table or counter, or touch hot surface including the stove.
- Don't plug the appliance into the power supply until it is fully assembled and always unplug before disassembling the appliance or handle the blade.
- Short-time operating. Use the appliance for no longer than 1minute, then take at least a 10 minute break.

ADVISE: This appliance shall not be used by children. Keep the appliance and its cord out of reach of children.

- Appliances can be used by persons with reduced physical, sensory or mental capabilities or lack of experience and knowledge if they have been given supervision or instruction concerning use of the appliance in a safe way and if they understand the hazards involved. Children shall not play with the appliance.
- Do not process more than three batches without interruption. Let the appliance cool down to room temperature before you continue to process.
- Do not use outdoors.
- Unplug from outlet when not in use, before putting on or taking off parts, and before cleaning.
- To protect against fire, electric shock and personal injury, do not immerse blender, its cord or plug in water or other liquid.
- This appliance is intended for household only.

ADVICE: There exist potential injury from misuse.

2. BEFORE USE

1. After removing the packaging, make sure the product is complete and undamaged and that all accessories are present. Do not use the appliance if it is visibly damaged. Contact with the technical assistance service.
2. Connecting the appliance. Check that the mains power supply voltage corresponds to the value indicated on the rating label. If the power socket does not match the plug on the appliance, have the socket replaced with a suitable type, or change the plug by a qualified professional.

3. OPERATION

1. Place the appliance on a flat surface.
2. Turn the container lid in an anti-clockwise direction and lift it.
3. Pour the desired amount of coffee beans into the container.
4. Tighten the lid by turning it fully home in a clockwise direction. A safety device prevents switch-on if the lid is not well inserted.
5. Do not attempt operation without the cover being in place.
6. Extract the necessary amount of wire and introduce the plug into the socket.
7. Press lid to active the coffee grinder and hold it down until the desired level of grinding is obtained.
- 8 Unplug the unit, have a container ready to hold your ground coffee.

4. RECOMMENDATIONS FOR USE

1. Always keep the lid of bean container closed hermetically in order to preserve the flavor and the aroma of the coffee beans.
2. Only grind the amount of coffee necessary at the time.
3. Never overfill the bean container.
As per general indications, consider one tablespoon of beans per cup (e.g. 4 spoons of coffee beans for 4 cups). Naturally, optimal amounts, defined on the basis of personal taste, will be identified with time.
4. Coffee grounds left in your grinder can become stale and affect the flavor of freshly. Be sure to clean grinding bowl, blades and cover after each use.
5. This grinder can only handle dry, brittle foods. Do not grind oil seeds (e.g. peanuts) or hard products (e.g. rice).

5. CLEANING AND MAINTENANCE

1. Be sure to unplug this appliance before cleaning. To protect against electrical shock, do not immerse cord, plug or unit in water or liquid.
2. Remove ground coffee residues using the brush. Do not touch the blade because it is sharp.
3. Do not immerse into water.



4. To remove residue or aromas left behind by nuts, grind one tablespoon of baking soda in the bowl then wipe thoroughly.
5. All removable parts are dishwasher-safe on the top rack. Do not put parts on bottom shelf. Never immerse the grinder base unit in water or other liquid.
6. Clean the exterior of the appliance using a soft cloth.
7. Store excess cord by pushing a section at a time into the cord storage area in the base of the unit.

6. TECHNICAL SPECIFICATION

Product reference: 01502

Power: 200 W

Voltage: 220-240V/ 50Hz

Made in P.R.C. | Designed in Spain

7. TECHNICAL SUPPORT SERVICE AND WARRANTY

This product is under warranty for 2 years from the date of purchase, as long as the proof of purchase is submitted, the product is in perfect physical condition, and it has been given proper use, as explained in this instruction manual.

The warranty will not cover the following situations:

- The product has been used for purposes other than those intended for it, misused, beaten, exposed to moisture, immersed in liquid or corrosive substances, as well as any other fault attributable to the customer.
- The product has been disassembled, modified, or repaired by persons, not authorised by the official Technical Support Service of Cecotec.
- Faults deriving from the normal wear and tear of its parts, due to use.

The warranty service covers every manufacturing defects of your appliance for 2 years, based on current legislation, except consumable parts. In the event of misuse, the warranty will not apply. If at any point, a fault is detected, contact the official Technical Support Service of Cecotec and send us your proof of purchase via e-mail at:

sat@cecotec.es

8. DISPOSAL OF OLD ELECTRICAL APPLIANCES



The European directive 2012/19/EU on Waste Electrical and Electronic Equipment (WEEE), specifies that old household electrical appliances must not be disposed of with the normal unsorted municipal waste. Old appliances must be collected separately, in order to optimize the recovery and recycling of the materials they contain, and reduce the impact on human health and the environment.

The crossed out "wheeled bin" symbol on the product reminds you of your obligation to dispose of the appliance correctly. If the product has a built-in battery or uses batteries, they should be removed from the appliance and disposed of appropriately.

Consumers must contact their local authorities or retailer for information concerning the correct disposal of old appliances and/or their batteries.



www.cecotec.es

Grupo Cecotec Innovaciones S.L.
C/ Pinadeta S/N, 46930
Quart de Poblet, Valencia, Spain