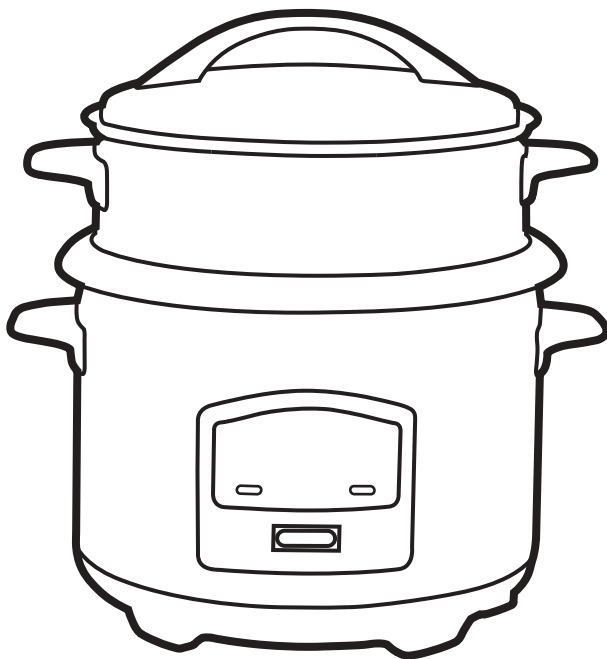




RICE COOKER USER MANUAL



MG-TH657A

Made in China

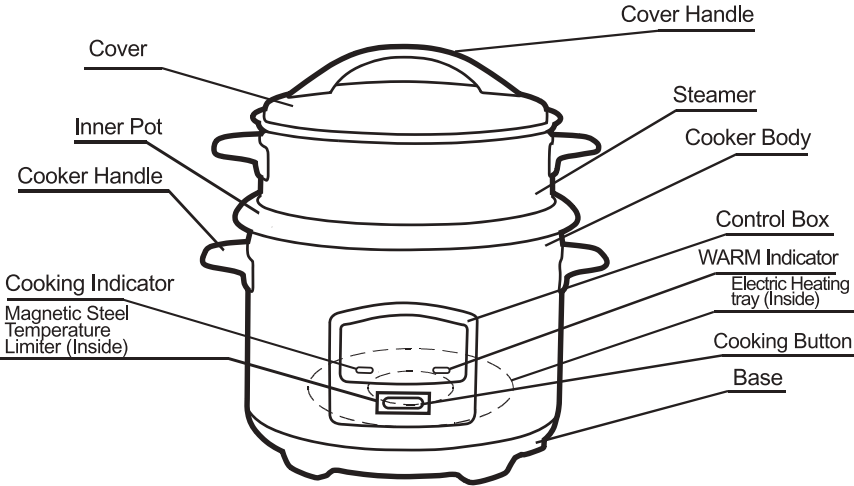
Thank you for purchasing the Midea electric rice cooker. Please read this User's Manual carefully before using and keep it in a good place for future reference.

Safety Instruction




- 1、 This appliance is for household use only. Do not use outdoors.
- 2、 This appliance is not intended for use by persons (including children) with reduced physical, sensory or mental capabilities, or lack of experience and knowledge, unless they have been given supervision or instruction concerning use of the appliance by a person responsible for their safety.
- 3、 Children should be supervised to ensure that they do not play with the appliance.
- 4、 This appliance is intended to be used in household and similar applications such as:
 - Staff kitchen areas in shops, office and other working environments;
 - Farm houses;-by clients in hotels, motels and other residential type environments;
 - Bed and breakfast type environments;
- 5、 If the supply cord is damaged, it must be replaced by the manufacturer, its service agent or similarly qualified persons in order to avoid a hazard.
- 6、 Please turn off and unplug the appliance before cleaning, maintenance or relocation and whenever it is not in use .
- 7、 Do not immerse any part of the appliance in water or other liquid.
- 8、 The heating element surface is subject to residual heat after use, do not touch.
- 9、 Warning: Misuse may cause potential injury.

Product Instructions

Spare parts instructions



This drawing takes TDG Series as the sample

| Model | Rated Voltage | Rated power(w) | Capacity(L) | Cooking method | LXWXH(mm) |
|-------------|--|----------------|-------------|---------------------|-------------|
| MG-TH657A | 220-240V~ 50/60Hz | 630-750W | 2.0L | Direct Heating Mode | 335×285×345 |
| Accessories | <div style="display: flex; justify-content: space-around; align-items: center;"> <div style="text-align: center;"> <p>Spoon</p>  </div> <div style="text-align: center;"> <p>food steamer</p>  </div> <div style="text-align: center;"> <p>Measuring Cup</p>  </div> </div> | | | | |

Specific accessories are different according to the model of product.

Start Working

- Please do not immerse the cooker body in water.
 1. One cup of rice is about 0.18L (about 150g).
 2. It is suggested not to directly wash rice in the pot for avoiding scratching the inner pot or distort the inner pot after knocking.
- Put the clean rice into the inner pot, select suitable water level mark according to the amount of rice
 1. The scale mark on the inner pot is the scale mark for cup of rice. For example: when cooking 2 cups of rice, put the clean rice into the inner pot, and then add water to the scale mark "2".
 2. The water mark of the inner pot is the standard cooking water mark, please adjust the water amount according to the personal taste.
 3. Do not exceed the max scale mark of corresponding function, otherwise, it may cause overflow or short circuit.
- Dry the external surface of the inner pot, put it in the cooker and make the rice evenly in the bottom of inner pot, then carefully rotate the inner pot to make it perfectly contact the electric heating tray.
- Insert the power plug into the socket, press the "Cooking" button, the electric rice cooker starts cooking.
- After cooking, the Cooking button will automatically disconnect, and the electric rice cooker enters into the automatic WARM state.
 1. Stew the rice for about 15min and then open the cover.
- When steaming the foods, put a proper amount of water in the inner pot, then put the foods into the steamer, operate according to above step 4, 5 and 6. After steaming, lift the cooking button.
 1. When steaming foods, ensure suitable amount of water for avoiding overflowing the steamer when water is boiling.
- Please use the accessory scoop when get the rice, remove the stiff rice from the scoop, and do not use the metal spoon for avoiding scratching the inner pot.
- **Rice Cooking**

Turn the "Function" switch to the "Cooking", press the "Cooking" button, the electric rice cooker starts cooking. (Ensure to press the "Cooking" button, otherwise, the cooker will keep at WARM state.)

Usage Instructions

Usage Instructions

1. Do not WARM for over 5 hours for avoiding changing the flavor.
2. Do not cook hard foods such as bone with the non-stick inner pot for avoiding scratching the inner pot.
3. In order to ensure close contact between the electric heating tray and the inner pot, the electric heating tray will sway lightly, it is normally, please use with your heart relaxed.
4. When cleansing the inner pot, do not scrub it with metal wire or stiff tools for avoiding scratching it.
5. After use, please dry the parts, and then store it in the safe and dry place.
6. Altitude range of products for normal operation is 0-2000 meters.
7. Please keep the power cord far away from the metal parts such as cover, steamer and inner part.

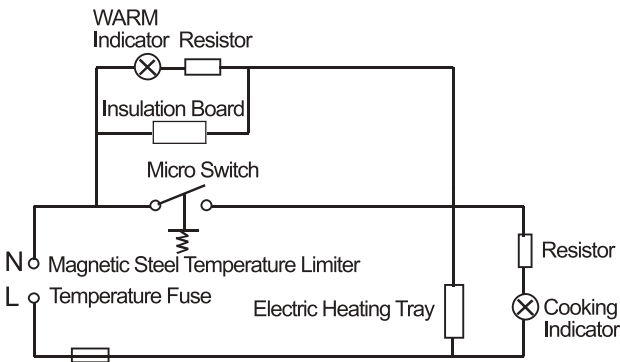
Troubleshooting

| S/N | Phenomena | | Reasons | Check and Solutions |
|-----|--|------------------------------------|---|--|
| 1 | Indicator doesn't light on | Electric heating tray doesn't heat | The circuit of the electric rice cooker is not connected with the power supply | Check the switch, plug, socket and power cord, ensure the plug is tightly inserted into the socket |
| | | Electric heating tray heats | <ol style="list-style-type: none"> 1. Indicator wire is loose 2. Indicator is damaged | Repair by the designated repairing department |
| 2 | Indicator lights on | Electric heating tray doesn't heat | <ol style="list-style-type: none"> 1. Middle wire is loose 2. Electric heating tube element is damaged 3. Temperature limiter is damaged | Repair by the designated repairing department |
| 3 | Rice is not well cooker, or the cooking time is too long | | <ol style="list-style-type: none"> 1. Stewing time is not adequate 2. Electric heating tray is distorted 3. Inner pot is not in the middle of the cooker 4. There's foreign object between the inner pot and electric heating tray 5. Inner pot is distorted 6. The surface of the magnetic steel temperature limiter is dirt | <ol style="list-style-type: none"> 1. Stew the rice according to the requirement 2. Replace it to the repairing department 3. Rotate the inner pot to keep it at the middle of the cooker 4. Remove the foreign object 5. Replace it to the repairing department 6. Clean the surface with 320# sand paper |
| 4 | The rice is burnt | | <ol style="list-style-type: none"> 1. The cooking button and lever mechanism is not flexible 2. Magnetic steel temperature limiter is fault | Repair by the designated repairing department |
| 5 | The cooker can't automatically WARM | | The wires of the insulation board is loose or the heating element of the insulation board is damaged | Repair by the designated repairing department |

Warranty

- There is one year's guarantee with this MIDEA brand electric rice cooker.
(The product is only for home use)
- The period of warranty shall start from the date on which the invoice is issued.
- Any one of the following cases will invalidate the warranty:
 1. Damages caused by improper use, storage and maintenance of the consumer.
 2. Damages caused by unauthorized disassembly and repair in the maintenance department not designated by the company.
 3. Valid invoice can not be presented.
 4. Model of invoice and model of product maintained are not in conformity or are altered.
 5. Damages caused by force majeure.
- For those products beyond the warranty, the customer service center of the company will still serve you warmly.

Circuit diagram



| | | | | | | | | | | | |
|--|---|------|-----------------------------|----------|--|------|--|---------|--|------|--|
| Dealer Stamp | Warranty Details Changes to Warranty card invalidates the warranty | | | | | | | | | | |
| | Model No. | | | Product: | | | | | | | |
| Serial No. | | | Date of expiry of warranty: | | | | | | | | |
| Customer Details To be filled in upon purchase | | | | | | | | | | | |
| Customers Name&Address | | | Date of purchase | | | | | | | | |
| Tel.No./Email | | | | | | | | | | | |
| Service History To be filled in case of warranty repair | | | | | | | | | | | |
| Job no. | | Date | | Job no. | | Date | | Job no. | | Date | |
| | | | | | | | | | | | |

Midea offers the owner of this product a ONE YEAR WARRANTY, from the date of purchase, against all manufacturing defects in material and workmanship. The warranty card to be presented to authorized service centers / distributors along with the purchase invoice to claim the warranty.

The warranty does not cover;

- 1) Damage due to mishandling or fire and becomes invalid if repair has been attempted by unauthorized persons.
- 2) Any failure to follow the instructions as mentioned in the user manual.
- 3) Fluctuation in voltage or any modifications/adjustments made to comply with local electrical, safety and technical standards.
- 4) Damages caused by fire, accident or any natural disaster, damage due to mishandling, wear & tear, voltage fluctuations.

Official Agent:
leWarehouseltd

Tel: (230) 286 1600 Fax: (230) 286 1603

www.lewarehouse.mu