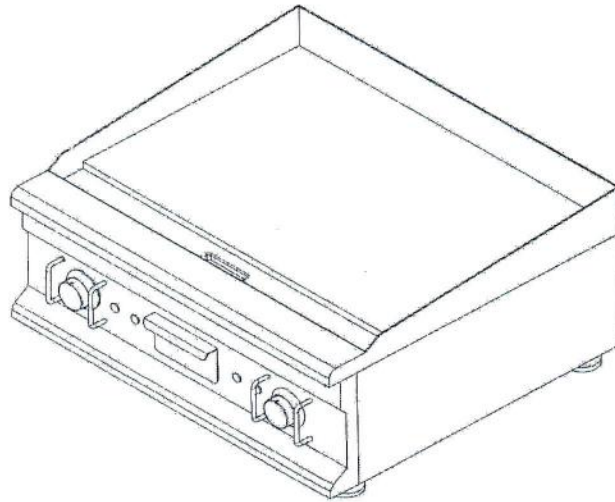


## **\*EG Series**

# **Electric Griddle/Grill**



- ★ **ALL stainless steel construction**
- ★ **Automatic thermostat**
- ★ **High-efficient, easy operable & safe**
- ★ **Durable and elegant design**

# EG Series of Electric Griddle/Grill

## I. Introduction:

EG Series of Electric Griddle is the new electrothermal product which is designed and developed with advance technology. It adopts the international popular style, body made by good quality stainless steel, luxurious and good-looking .The products are equipped with good quality electrical elements, so that they are energy-saving and safety. Be provided with thermostat function, easy control. EG Series of Electric Griddle/Grill is with comprehensive functions and high quality, therefore, it is the best choice for the hotels, restaurants, and west-style food shops, etc.

## II. Operating Instruction:

Before use, please check whether the voltage of power supply is in conformity with that in the data plate. The body must be earthed properly. It is forbidden to put the tinder and explosive object near the machine. And keep it in the environment with the superior ventilation system.

### Operation Step:

1. Place the machine firmly, connect the power, and then the indication light is on green. Adjust the working temperature to the required one; now working light is on yellow, the heating plate is working. After tested, the user can re-adjust the thermostat knob; select the required temperature for working again.
2. When the temperature reaches the setting one, the yellow light will turn off, then it will turn into the thermostat state, the user can start to work. When the temperature comes down, the thermostat will start working again automatically. This process is cycling repeatedly; guarantee the temperature is on the set up scope.
3. The grill with two thermostats, the left one is controlling the left heating plate's temperature and right one is controlling the right heating plate, user can select each or both to use.
4. When the food is ok, the user can eat it after take out by the chopsticks, avoid to use metal to roll up or take out the food, otherwise it will hurt the surface of the heating plate.
5. The box of bottom can be collected the remaining oil of the heating plate expediently, it should be cleaned out frequently to avoid coming out.

### III. Operating Instruction:

Model	Power	Input Power	Dimension(mm)
EG410	~220V,50Hz	2.5kW	415x500x255
EG410-2	~220V,50Hz	2.5kW	415x500x255
EG410D	~220V,50Hz	2.5kW	415x500x255
EG500	~220V,50Hz	3kW	500x520x310
EG500-2	~220V,50Hz	3kW	500x520x310
EG500D	~220V,50Hz	3kW	500x520x310
EG600	~220V/380V 3N~,50Hz	5kW	600x520x310
EG600-2	~220V/380V 3N~,50Hz	5kW	600x520x310
EG600D	~220V/380V 3N~,50Hz	5kW	600x520x310
EG750	~220V/380V 3N~,50Hz	6kW	750x520x310
EG750-2	~220V/380V 3N~,50Hz	6kW	750x520x310
EG750D	~220V/380V 3N~,50Hz	6kW	750x520x310
EG1000	~220V/380V 3N~,50Hz	6kW	1000x520x310
EG1000-2	~220V/380V 3N~,50Hz	6kW	1000x520x310
EG1000D	~220V/380V 3N~,50Hz	6kW	1000x520x310
EG1000D	~220V/380V 3N~,50Hz	6kW	1000x520x310

### IV. Repair and Maintenance:

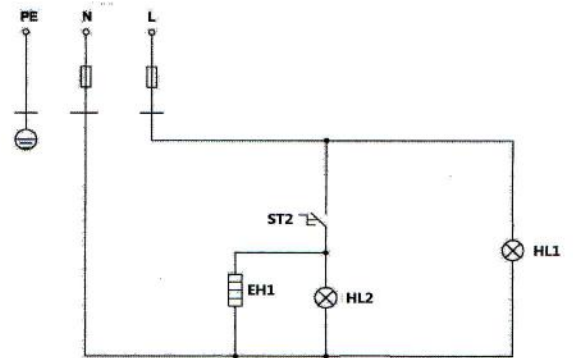
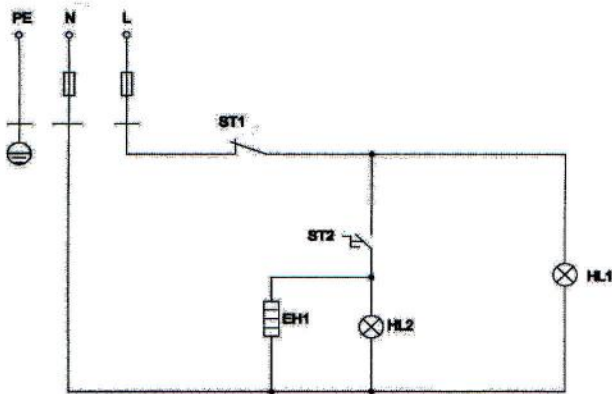
1. Take out the plug before clean the machine.
2. After use for each time, please clean it with soft dry fabric, please use middle washing tank to clean if necessary, avoid using sharp metal, and strictly prohibit cleaning with water.
3. The remaining oil of the box in the bottom should be cleaned out frequently.

### V. Notes:

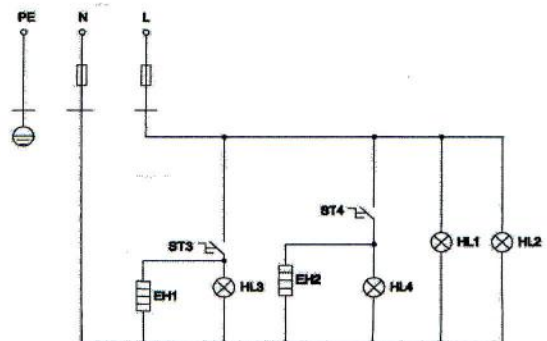
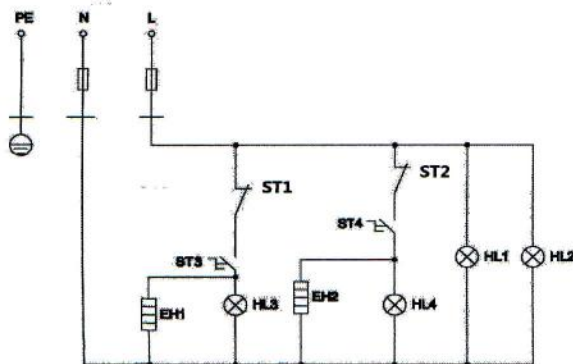
1. When you use this machine, do not touch the electrical heating floor to avoid scald.
2. You should take out the plug or switch when the machine was stopped, it could avoid the accident happen. All safeguard maintain work should be in process after shut down the power supply. If the machine appears hitch, do not dismantle by yourself, please send to our agent or sales supplier for repair.

## VI. Circuit Diagram:

EG410、EG410-2、EG410D、EG500、EG500-2、EG500D



EG600、EG600-2、EG600D  
EG750、EG750-2、EG750D  
EG1000、EG1000-2、EG1000D



**ST1 、 ST2 : Security Thermostat**

**ST3、 ST4: Temperature Controller**

**HL1、 HL2: Power Indicator**

**HL3、 HL4: Heating Indicator**

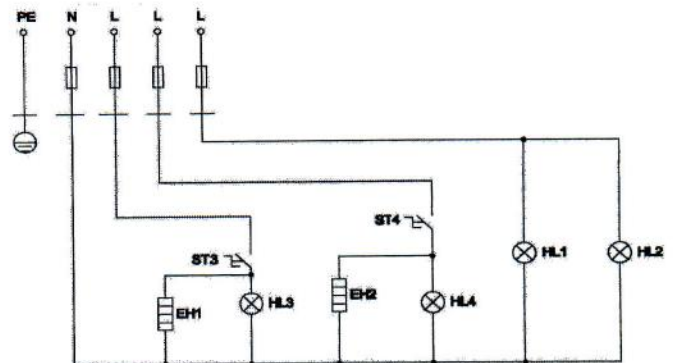
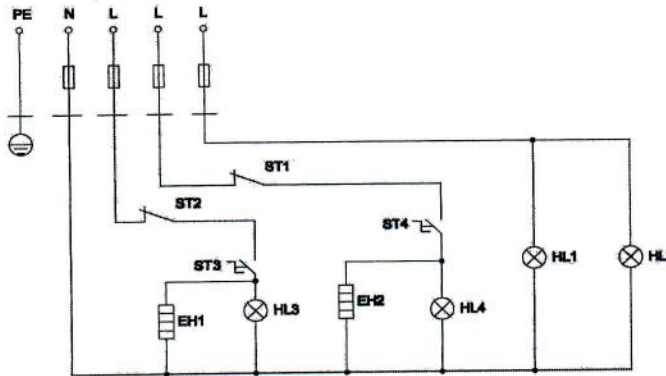
## **EH1、EH2: Electric Heating Pipe**

380V 3N~

EG600、EG600-2、EG600D

EG750、EG750-2、EG750D

EG1000、EG1000-2、EG1000D



**ST1、ST2: Security Thermostat**  
**HL1、HL2: Power Indicator**  
**EH1、EH2: Electric Heating Pipe**

**ST3、ST4: Temperature Controller**  
**HL3、HL4: Heating Indicator**

## **Packing list of leave factory**

<b>Name</b>	<b>Q'ty</b>	<b>Remark</b>
Electric Griddle	1	
Operation Manual	1	

