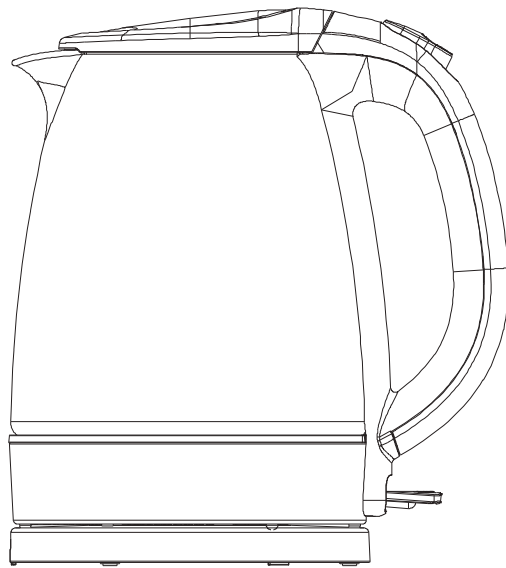




USER MANUAL

MK-17G02A2

Electric Jug Kettle



Midea Italia S.r.l. a socio unico
Viale Luigi Bodio 29/37
20158 Milano Italia
midea.com/it

Please read the manual carefully before operating your product.
Retain it for future reference.

Important Safety Instructions

- 1、 Read carefully and save all the instructions.
- 2、 For additional protection, we recommend the use of a power outlet with a rated current of 10A. To avoid circuit overload, do not operate another high wattage appliance on the same circuit.
- 3、 Do not fill kettle when positioned on base, Dry the water on the bottom of the body before place it onto power base.
- 4、 Never leave the appliance unattended when in use.
- 5、 Close supervision is necessary when your appliance is being used near children or infirm persons.
- 6、 Electric kettle must be operated on a flat surface.Do not place this appliance on or near a hot gas or electric burner or on the top of other electric appliances
- 7、 Do not touch hot surfaces,use the handle.Be aware of steam being emitted from spout or lid especially during refilling.Do not remove lid during boiling cycle.
- 8、 Do not use the kettle to heat anything other than water. Do not fill above the "max" indication.Do not operate kettle if water is below minimum.
- 9、 Do not let the power cord hang over the edge of the table or touch hot surfaces.Always store excess portion of the power cord in the compartment of the base unit.
- 10、 Do not immerse any part of the appliance in water or other liquid.Do not use your appliance with an extension cord unless this cord has been checked and tested by a qualified technician or service person.Always use your appliance from a power outlet of the voltage(A.C. only)marked on the appliance.
- 11、 If the power cord is damaged,it must be changed by manufacturer or authorized persons.

NOTE: If the kettle is overfilled,boiling water may be ejected.
The kettle is only to be used with the stand provided.

WARNING: Do not switch on if there is a possibility that the water in the heater is frozen.


Important Safety Instructions

- 12、 Always unplug from the plug socket when in following conditions:
No water in kettle Filling water Not in use Before cleaning or moving kettle.
- 13、 Call our free customer assistance number for information or return to Midea Customer Service Department for examination and repair. Never repair the appliance by yourself.
WARNING: To reduce the risk of fire or electric shock , do not remove the bottom cover of the body or the power base by yourself.
- 14、 Do not use a base unit other than the one supplied. The use of accessory attachments not recommended by the manufacturer may result in fire; electrical shock or personal injury.
- 15、 Do not insert any object into slots or holes of the kettle.
- 16、 This appliance is for household use only. Do not use outdoors.
- 17、 This appliance can be used by children aged from 8 years and above if they have been given supervision or instruction concerning use of the appliance in a safe way and if they understand the hazards involved. Cleaning and user maintenance shall not be made by children unless they are older than 8 and supervised. Keep the appliance and its cord out of reach of children aged less than 8 years.
- 18、 This appliance is intended to be used in household and similar applications as:
 - Staff kitchen areas in shops, offices and other working environments;
 - Farm houses;
 - By clients in hotels, motels and other residential type environments;
 - Breakfast type environments.
- 19、 **WARNING:** Do not remove the lid while the water is boiling.
- 20、 **CAUTION:** Position the lid so that steam is directed away from the handle.
- 21、 **CAUTION:** Insure that the appliance is switched off before removing it from its stand.
- 22、 **CAUTION:** Be careful and avoid water spillage on connector
- 23、 Incorrectly use of appliance may cause serious burns, therefore, attention shall be taken.
- 24、 Do not try to access into kettle's container, heating element surface ins subjected to residual heat after use.

Important Safety Instructions

25. Appliances can be used by persons with reduced physical, sensory or mental capabilities or lack of experience and knowledge if they have been given supervision or instruction concerning use of the appliance in a safe way and understand the hazards involved.

26. Children shall not play with the appliance.

 Do not dispose of electrical appliances as unsorted municipal waste, use separate collection facilities.

■ Contact your local government for information regarding the collection systems available.

If electrical appliances are disposed of in landfills or dumps, hazardous substances can leak into the groundwater and get into the food chain, damaging your health and well-being.

When replacing old appliances with new ones, the retailer is legally obligated to take back your old appliance for disposal at least for free of charge.

Please follow the above safety precautions

Brief introduction

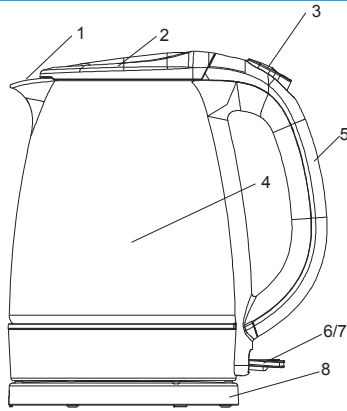
Rational design,

bring convenience and enjoyment to your life

- Rapid boiling , save time and energy for you.
- Removable filter to keep the water clean of any foreign matter.
- Steam control to switch the kettle off after boiling.
- dry pro-Automatically cuts out for boiltection.
- Easy read water gauge.
- Thermostat of high quality.
- 360° rotational power base.
- Stainless steel body.

Names of main parts

- 1.Spout
- 2.Lid
- 3.Lid opening button
- 4.Water gauge
- 5.Handle
- 6.Pilot lamp
- 7.Switch button
- 8.Power base



Kettle model

Model No.	Rated voltage	Rated power	Capacity	Dimensions	Weight
MK-17G02A2	220-240V~ 50/60Hz	1850-2200W	1.7L	220X159.5X244mm	1.075kg

How to use

For the first time to use or no use for a long time, it is recommended that you fill to the maximum level mark with fresh tap water, boil and empty the kettle at least 2 times to clear kettle of any tiny particles. Do not drink such water.

- 1、 Press the lid lock on the handle , and you can open it.
- 2、 Remove the kettle from the base to the filling place. Fill the kettle with desired amount (no less than the minimum and no more than the maximum.) Put back the lid; place the kettle back on the base unit.
- 3、 Connect the plug into a power outlet (220~240V,AC), switch the kettle on by pressing the switch. The light will illuminate to indicate the kettle is heating.
- 4、 The kettle will automatically switch off once the water has boiled and the neon light goes off.
- 5、 Lift the kettle from the base, and you can pour out the water into container.

CLEANING

- ▶ To prolong the kettle's life, please clean the mineral deposits in the kettle regularly.
- ▶ Always unplug from the plug socket and allow to cool down before cleaning.
- ▶ Do not use chemical, steel wool, or abrasive cleaners to clean the outside of the kettle, as these will scratch the surface and fade the outside color.

- 1、 Fill the kettle with 0.5L white vinegar and the remainder with water and allow to stand for over 1 hours ;
- 2、 Empty the solution from the kettle. Wipe off the deposits remained with damp cloth

CLEANING

- 3、 Fill the kettle with clean water, bring to boil and then discard the water. Repeat and the kettle will be ready to use;
- 4、 If necessary, repeat the operations above for several times;
- 5、 Do not immerse into water. The surface of the kettle may be wiped over with a damp cloth and polished with a soft dry cloth.
- 6、 Grasp the top of the scale filter and pull upwards to remove. Wash with clean water and dry thoroughly before replacing in the kettle.