

cecotec

Rock'nGrill 1500 Rapid
Гриль/Гриль/Contact grill



Інструкція з експлуатації
Руководство пользователя
Instruction manual




INDEX

1. Safety instructions	13
1. Parts and components	15
3. Before use	15
4. Operation	15
5. Cleaning and maintenance	16
6. Technical specifications	16
7. Disposal of old electrical appliances	16
8. Technical support service and warranty	17



1. SAFETY INSTRUCTIONS

Read these instructions thoroughly before using the appliance. Keep this instruction manual for future reference or new users.

- Make sure that the mains voltage matches the voltage stated on the rating label of the appliance and that the wall outlet is grounded.
- This product is designed only for household use.
- During and after operation, the appliance is likely to get very hot. Use gloves or other convenient protection accessories in order to avoid burns and injuries .
- Always use the grill on a flat, dry, stable and heat-resistant surface.
- On surfaces where heat may cause a problem, an insulating mat is recommended.
- Do not immerse the cord, plug, or any non-removable part of the appliance in water or any other liquid, nor expose the electrical connections to water. Make sure your hands are dry before handling the plug or switching on the appliance.
- Do not twist, bend, strain, or damage the power cord in any way. Protect it from sharp edges and heat sources. Do not let it touch hot surfaces. Do not let the cord hang over the edge of the working surface or countertop.
- Do not operate the appliance outdoors, on or near a gas or electric hob, in heated ovens or near open flames.
- Do not operate the device after it has been dropped or after it



ENGLISH

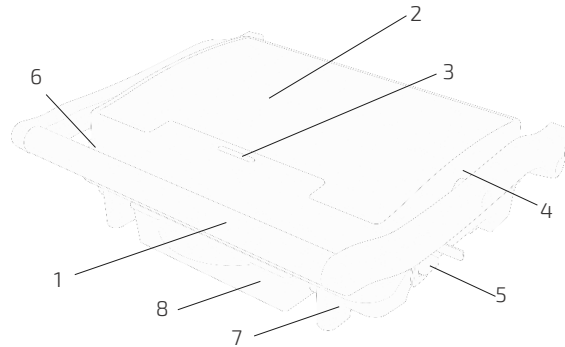
malfunctions.

- Check the power cord regularly for visible damage. If the cord is damaged, it must be replaced by the official Technical Support Service of Cecotec in order to avoid any type of danger.
- Do not use this appliance with an extension cord.
- Extreme caution must be taken when moving the appliance.
- Always turn off and disconnect the appliance from the power supply when not in use or if it is not going to be used for a long period of time and before cleaning it. Pull from the plug and not the cord to disconnect it.
- Do not use accessories not provided or suggested by Cecotec, as these could cause damage to the product or result in risk.
- The appliance is not intended to be used by children, persons with reduced physical, sensory or mental capabilities or lack of experience and knowledge.



2. PARTS AND COMPONENTS

1. Handle
2. Upper housing
3. Ready light indicator
4. Top plate support
5. Handle lock
6. Non-stick plate
7. Bottom housing
8. Fat-drip tray



3. BEFORE USE

- Take the product out of the box.
- Remove all packaging materials. Keep the original box.
- Make sure all the components are included and in good conditions, otherwise, contact immediately the official Technical Support Service of Cecotec.
- Clean the plates with a soft, dampened cloth.
- Dry thoroughly all parts of the device with a cloth or paper towel.
- For best results, lightly coat the cooking plates with a little cooking oil or cooking spray.

Warning: A slight odour and smoke might appear when heating the device for the first time. This is due to manufacturing materials residues and does not affect the appliance's operating.

4. OPERATION

1. Connect the product's plug to a power supply. The light indicator will turn on, indicating the device has started preheating.
2. It will take approximately 3 minutes for the device to reach the optimum operating temperature. The light indicator will turn off when temperature is ready.
3. Open the grill and place the sandwich, meat or any other food to be cooked on the bottom plate.
4. Close the grill and cook food from 3 to 8 minutes until it is ready.
5. When food is cooked, use the handle to open the grill and use a heatproof spatula to remove food.
6. Once you have finished cooking, disconnect the plug from the wall outlet and leave the unit open until it cools down.



ENGLISH

Warning: Never use metal tongs or a knife to remove food as these can cause damage to the non-stick coating.

5. CLEANING AND MAINTENANCE

- Always turn off and unplug the appliance after each use and before cleaning.
- Allow the appliance to cool down before cleaning and storing.
- If there is food stuck to the plates, pour some drops of soapy water for food rests to soften and then use a non-abrasive sponge or paper towel to remove them.
- Use a soft, dampened cloth to clean the product's outside surface.
- Do not immerse the appliance in water or other liquid.
- Do not use abrasive scouring pads, powders or cleaners.
- Do not wash the device in the dishwasher.
- Remove and empty the fat drip tray after each use and wash the tray in warm, soapy water. Rinse and dry thoroughly with a clean, soft cloth and replace.

Storage

- Unplug the device before storage.
- Make sure the grill is cool and dry before storing it.
- The power cord can be wrapped around the bottom of the base for a more comfortable storage.

6. TECHNICAL SPECIFICATIONS

Product name: Rock'nGrill 1500 Rapid

Product reference: 03065

1500 W, 220-240 V, 50/60 Hz

Made in China | Designed in Spain

7. DISPOSAL OF OLD ELECTRICAL APPLIANCES



The European directive 2012/19/EU on Waste Electrical and Electronic Equipment (WEEE), specifies that old household electrical appliances must not be disposed of with the normal unsorted municipal waste. Old appliances must be collected separately, in order to optimize the recovery and recycling of the materials they contain, and reduce the impact on human health and the environment.

The crossed out "wheeled bin" symbol on the product reminds you of your obligation to dispose of the appliance correctly. If the product has a built-in battery or uses batteries, they should be



removed from the appliance and disposed of appropriately. Consumers must contact their local authorities or retailer for information concerning the correct disposal of old appliances and/or their batteries.

8. TECHNICAL SUPPORT SERVICE AND WARRANTY

This product is under warranty for 2 years from the date of purchase, as long as the proof of purchase is submitted, the product is in perfect physical condition, and it has been given proper use, as explained in this instruction manual.

- The product has been used for purposes other than those intended for it, misused, beaten, exposed to moisture, immersed in liquid or corrosive substances, as well as any other fault attributable to the customer.
- The product has been disassembled, modified, or repaired by persons, not authorised by the official Technical Support Service of Cecotec.
- Faults deriving from the normal wear and tear of its parts, due to use.
- The warranty service covers every manufacturing defects of your appliance for 2 years, based on current legislation, except consumable parts. In the event of misuse, the warranty will not apply.

If at any moment you detect any problem with your product or have any doubt, do not hesitate to contact Cecotec Technical Support Service at **+34 96 321 07 28**.

www.cecotec.es

Grupo Cecotec Innovaciones S.L.
C/ de la Pinadeta s/n, 46930
Quart de Poblet, Valencia (Spain)