

cecotec

THERMOSENSE 390 CLEAR

Hervidor de agua / Kettle



Manual de instrucciones
Instruction manual
Manuel d'instructions
Bedienungsanleitung
Manuale di istruzioni
Manual de instruções
Instructiehandleiding
Instrukcja obsługi
Návod k použití

INDEX

1. Parts and components	36
2. Before use	36
3. Operation	36
4. Cleaning and maintenance	37
5. Technical specifications	38
6. Disposal of old electrical appliances	38
7. Technical support and warranty	38

SAFETY INSTRUCTIONS

Read these instructions thoroughly before using the appliance. Keep this instruction manual for future reference or new users.

- Make sure that the mains voltage matches the voltage stated on the rating label of the appliance and that the wall outlet is grounded.
- Do not immerse the cord, plug, or any non-removable part of the appliance in water or any other liquid.
- Do not expose the electrical connections to water. Make sure your hands are dry before handling the plug or switching on the appliance.
- Never immerse the appliance in water. Do not reach into the water!
- Check the power cord regularly for visible damage. If the cord is damaged, it must be replaced by the official Technical Support Service of Cecotec in order to avoid any type of danger.
- Do not move the product or pull from it from its cord. Do not use the cable as handle. Do not push the cord against corners or sharp edges. Do not pass the product over the power cord. Keep the cord away from hot surfaces.
- Do not operate the product if its cord, plug or body show visible damage, do not operate properly or have been dropped.
- Do not use the appliance in confined spaces with explosive or flammable vapours.
- Do not leave the appliance unattended while in use. Unplug it from the power supply when you finish using it and before leaving the room.
- Do not try to repair the product by yourself. Contact the official Technical Support Service of Cecotec.
- Always turn off and unplug the appliance when not

in use, before moving it to a new location and before assembling or disassembling it. To avoid tipping over, wind the cord safely.

- To ensure the correct operating of the device, cleaning and maintenance tasks must be carried out according to this instruction manual. Always turn off and unplug the appliance before cleaning.
- Cleaning and maintenance tasks must not be carried out by children.
- Store the appliance and its instruction manual in a safe and dry place when not in use.
- Do not exceed the maximum water level of the kettle. Boiling water may be ejected.
- Do not use the device outdoors.
- Use the product only for the intended purpose.
- The kettle is only to be used with the base provided.
- Use only cold water when filling.
- The water level must be between the MAX. and MIN. marks.
- Switch the machine off before removing it from the base.
- This appliance is intended to be used in household and similar such as:
 - Staff kitchen in shops, offices and other working environments.
 - By clients in hotels, motels and other residential places.
- Avoid touching the surface of the hot kettle and until it cools down for a few minutes. Use the handle and knobs.
- To avoid possible steam damage, do not face the spout when operating the kettle.
- Scalding may occur if the lid is removed while heating, do not take it off.
- Remove and replace the lid carefully when hot.

- Extreme precaution when moving the kettle containing hot water. Never lift the kettle by its lid. Always use the body handle.
- Never switch on your kettle when empty.
- Do not use the base unit for other purposes.
- To avoid the steam scalding your hands, do not open the lid while water is boiling or in the short time before and after.
- Avoid liquid splashing on the LCD display and the buttons during the operating process. The water may cause damage to the electronic system.
- The appliance is not intended to be used by children under the age of 8. It can be used by children over the age of 8, as long as they are given continuous supervision.
- This appliance can be used by children aged 8 and above, and persons with reduced physical, sensory or mental capabilities or lack of experience and knowledge, as long as they have been given supervision or instruction concerning the use of the appliance in a safe way and understand the hazards involved.
- Children shall not play with the appliance. Close supervision is necessary when the appliance is being used by or near children.
- Keep this appliance and its power cord out of reach of children under the age of 8.

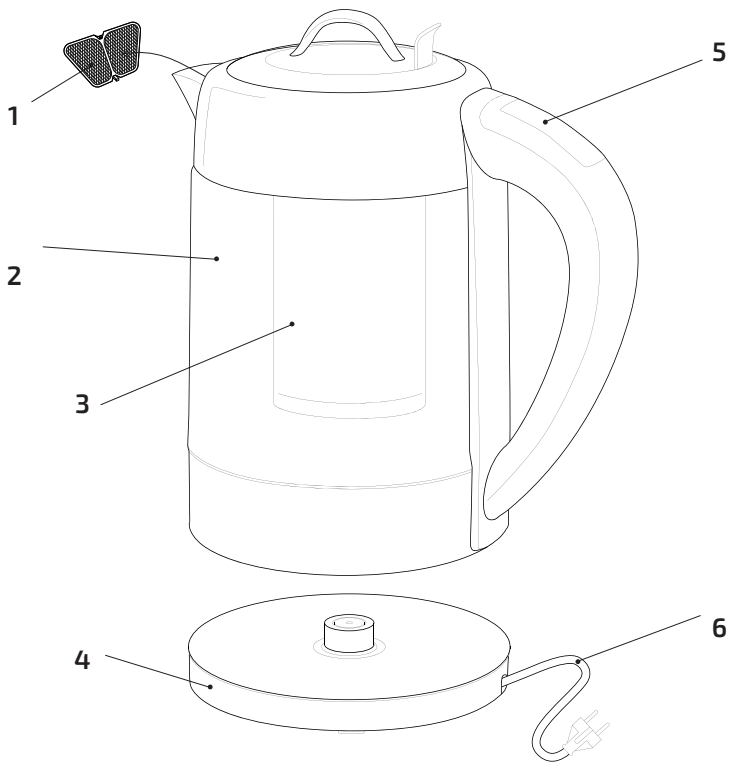


Fig./Img./Abb./Afb./Rys./Obr. 1

1. PARTS AND COMPONENTS

Fig. 1

1. Anti-calc filter
2. Jar
3. Fabric filter
4. Base
5. LCD display
6. Cable

2. BEFORE USE

- Before using the product for the first time, boil water twice without cleaning agents and then throw water away.
- The kettle should always be unplugged when filling or adding water.
- Fill the kettle with water to the desired level. Do not exceed the max. mark. Use the water level indicator. You can fill via the spout or opening the lid.
- Warning: Do not forget to close the lid properly after filling the kettle with water, otherwise it will not stop automatically after operating.
- Do not fill it with less than 0.5L of water. Always from the MIN. mark to prevent the kettle running dry while operating.
- Do not fill it over 1.7L of water. Do not exceed the MAX. indicator.
- An automatic safety system has been installed for protection against overheating. It will be efficient if the kettle is switched on with insufficient water. If the safety system activates, disconnect the kettle from the power outlet and allow the kettle to cool down for 5 or 10 minutes. Refill it and it will work normally.
- After boiling the machine switches off automatically.
- Disconnect the kettle from the power supply.
- Do not open the lid when pouring.
- If the kettle is overfilled, boiling water may be ejected.

3. OPERATION

Press the power button, you will hear a sound and a red light will turn on. The product will start running. While water is boiling, the indicator light will turn off and beep.

Pure function

1. Press the power button, you will hear a sound and the product will start running.
2. Then press the button to start purifying water. This function allows keeping the microbiological quality of water by submitting water to a primary disinfection with a high

temperature for 3 minutes.

3. When water boils during the set time, you will hear a sound and the water purification process will be over.

Temperature control

Press the start button once to boil water or press the power button to select the temperature:

- 60 °C: The LED light turns green.
- 70 °C: The LED light turns blue.
- 80 °C: The LED light turns yellow.
- 90 °C: The LED light turns purple.

Keep warm function

1. Press the start button for 2 seconds. The kettle will enter the keep warm function and the red LED light will blink.
2. When the water boils, the kettle will keep the temperature for 2 hours. During this time, if the temperature drops below 85 °C, the kettle will heat to keep it warmer.
3. Press the start button for 2 seconds and press the button 1 to 4 times depending on the temperature you want to select. A light will blink in its corresponding colour according to the selected temperature. The kettle will keep water warm for 2 hours.

Warning

- Water can only be kept warm under this mode. This function will be deactivated when the kettle body is taken away from the base.
- Unplug the product from the power outlet when you have finished using it.

4. CLEANING AND MAINTENANCE

- Always disconnect the plug from the mains supply before cleaning the machine.
- The exterior of the jar can be cleaned with a slightly dampened cloth.
- Do not use abrasive products.
- The calc filter can be removed for cleaning when the water cools down.
- In case the water used has caused minerals to build up, such as calc, it is suggested to fill half the kettle with water and lemon juice (or 3 tbsp. of vinegar) and boil it. If impurities are still left after this, repeat the process for 15 minutes. Allow it to cool down before emptying and rinsing it.

5. TECHNICAL SPECIFICATIONS

Model: ThermoSense 390 Clear

Product reference: 01512

Rated power: 1850-2200 W

Voltage and frequency: 220-240 V, 50/60 Hz Capacity: 1.7L

Made in China | Designed in Spain

6. DISPOSAL OF OLD ELECTRICAL APPLIANCES



The European directive 2012/19/EU on Waste Electrical and Electronic Equipment (WEEE), specifies that old household electrical appliances must not be disposed of with the normal unsorted municipal waste. Old appliances must be collected separately, in order to optimise the recovery and recycling of the materials they contain and reduce the impact on human health and the environment.

The crossed out "wheeled bin" symbol on the product reminds you of your obligation to dispose of the appliance correctly.

Consumers must contact their local authorities or retailer for information concerning the correct disposal of old appliances and/or their batteries.

7. TECHNICAL SUPPORT AND WARRANTY

This product is under warranty for 2 years from the date of purchase, as long as the proof of purchase is submitted, the product is in perfect physical condition, and it has been given proper use, as explained in this instruction manual.

The warranty will not cover the following situations:

The product has been used for purposes other than those intended for it, misused, beaten, exposed to moisture, immersed in liquid or corrosive substances, as well as any other fault attributable to the customer.

The product has been disassembled, modified, or repaired by persons, not authorised by the official Technical Support Service of Cecotec.

Faults deriving from the normal wear and tear of its parts, due to use.

The warranty service covers every manufacturing defects of your appliance for 2 years, based on current legislation, except consumable parts. In the event of misuse, the warranty will not apply.

If at any moment you detect any problem with your product or have any doubt, do not hesitate to contact Cecotec Technical Support Service at +34 963 210 728.

www.cecotec.es

Grupo Cecotec Innovaciones S.L.
C/ de la Pinadeta s/n, 46930
Quart de Poblet, Valencia (Spain)
YV_02210201