

cecotec

TWIST&FUSION 4000 LUXURY

Amasadora/Kneading machine



Manual de instrucciones
Instruction manual
Manuel d'instructions
Bedienungsanleitung
Manuale di istruzioni
Manual de instruções
Instrukcja obsługi
Návod k použití

INDEX

1. Parts and components	27
2. Before use	27
3. Operation	27
4. Cleaning and maintenance	29
5. Technical specifications	30
6. Disposal of old electrical appliances	30
7. Technical support service and warranty	30

SAFETY INSTRUCTIONS

Read these instructions thoroughly before using the appliance. Keep this instruction manual for future reference or new users.

Make sure that the mains voltage matches the voltage stated on the rating label of the appliance and that the wall outlet is grounded.

Place the appliance on a flat, stable and heat-resistant surface, keeping a safe distance from the edge of the countertop to avoid it from falling.

This product is designed only for household use. It is not suitable for commercial or industrial use. Do not use outdoors.

Do not immerse the cord, plug, or any non-removable part of the appliance in water or any other liquid, nor expose the electrical connections to water. Make sure your hands are dry before handling the plug.

Do not leave the appliance unattended.

Always turn the appliance off and disconnect it from the power supply before changing accessories, disassembling or assembling the product or approaching cutting or moving elements.

Check the power cord regularly for visible damage. If the cord is damaged, it must be replaced by the official Technical Support Service of Cecotec in order to avoid any type of

danger.

Do not remove the product's lid during operation.

Do not use damaged extension cords. Examine extension cord before using and replace if damaged. Do not abuse extension cord and do not yank on any cord to disconnect. Keep cord away from heat and sharp edges.

Do not use any accessory that has not been recommended by Cecotec, as they might cause injuries or damage.

Check the main body and other components regularly for damage. If any damage is detected, do not use the appliance. Make sure that all parts are properly assembled before operating the device.

Switch off the appliance and disconnect from supply before changing accessories or approaching parts that move in use. Care shall be taken when handling the accessories, emptying the bowl and during cleaning.

Avoid contacting moving parts. Keep hands, hair, clothing, as well as spatulas and other utensils away from mixers during operation to reduce the risk of injury to persons, and/or damage to the device.

Do not operate any appliance with a damaged cord or plug or after the appliance malfunctions or is dropped or damaged in any manner.

Do not let cord hang over edge of table or counter.

Remove mixers from the device before washing.

If the product stops working unexpectedly, turn it off and switch it off immediately from the power supply.

Do not try to repair the device by yourself.

Do not exceed the "max." mark on the product's bowl.

Use some type of protection to touch or move the device.

The appliance is not intended to be used by children under the age of 8. It can be used by children over the age of 8, as long as they are given continuous supervision.

This appliance can be used by children aged 8 and above, and persons with reduced physical, sensory or mental capabilities or lack of experience and knowledge, as long as they have been given supervision or instruction concerning the use of the appliance in a safe way and understand the hazards involved.

Supervise children, they shall not play with the appliance. Close supervision is necessary when the appliance is being used by or near children.

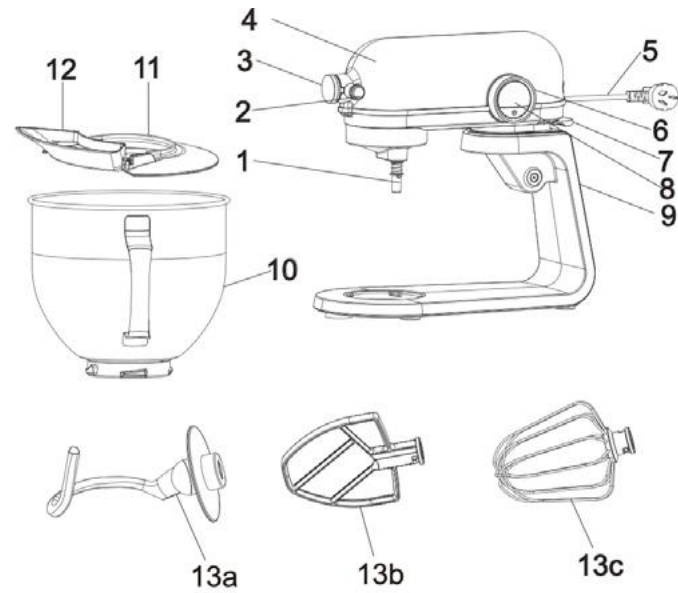


Fig./lmg./Abb./Afb./ Rys./Obr. 1

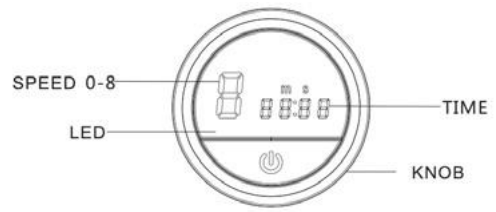


Fig./Img./Abb./Afb./ Rys./Obr. 5

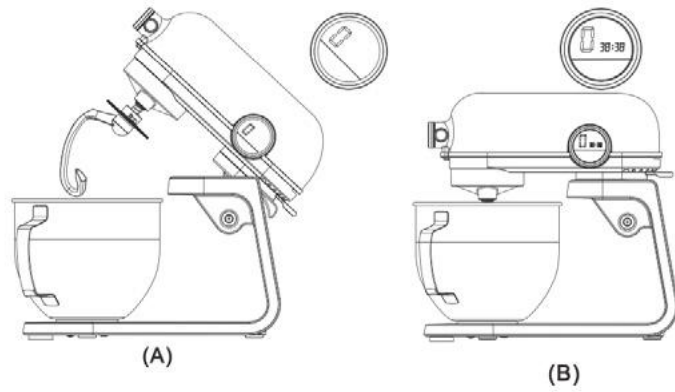


Fig./Img./Abb./Afb./ Rys./Obr. 6

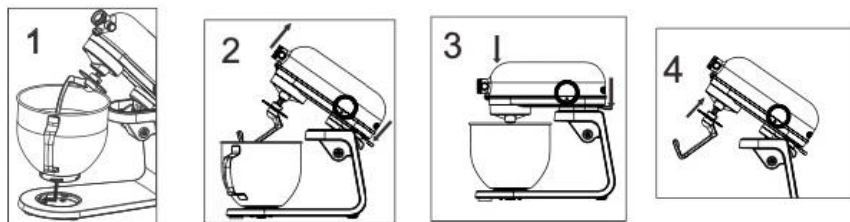


Fig./Img./Abb./Afb./ Rys./Obr. 7

1. PARTS AND COMPONENTS

Fig. 1

1. Drive shaft
2. Screw
3. Front cover
4. Drive arm
5. Power cord
6. Speed level knob
7. Lever for raising and lowering the arm
8. LED display with speed and time indicator
9. Support
10. Mixing bowl
11. Splashproof cover
12. Funnel
 - a. Kneading arm
 - b. Mixer
 - c. Whisk

2. BEFORE USE

Take the product out of the box and remove all packaging materials.

Make sure the product is in good conditions. If any sign of visible damage is observed, contact immediately with our official Technical Support Service.

Place the appliance on a clean, stable and flat surface. Do not place it close to the edge, inside built-in wardrobes or hanging brackets.

Clean the appliance before using it for the first time.

Connect it to a power supply and press the power switch to turn it on.

3. OPERATION

Display

Fig. 5

Connect the device to a power supply and press the power switch. The display will show speed "0" and time "00:00".

When it displays speed "0" and the device is not used within 5 minutes, it will enter standby mode automatically.

Turn the knob clockwise to increase the speed (0-8) or turn it counterclockwise to decrease it (8-0).

In each speed setting, turn the knob clockwise and hold it for 3 seconds, the time display will blink.

To reset all settings, press the power switch or pull out the power plug.

Turn the knob to speed 0 during operation to pause or stop it. When the device is operated again, the timing will continue.

While the arm is raised (during standby or during operation), the display will show "E01", indicating that the motor is not working for safety measures. When the arm is placed in its position again, select the desired speed and the device will turn on again. If the display was showing time countdown, it will not be reset, it will be saved and resume.

Fig. 6

Countdown function:

The countdown timer is suitable for any recipe that specifies mixing time of ingredients.

To set the countdown timer, rotate the knob anticlockwise for 3 seconds.

The preset time is 2 minutes, displayed as 02:00 on the LED screen.

Rotate the knob clockwise once, time increases 10 seconds, that is 2 minutes plus 10 seconds.

Rotate the knob anticlockwise once, time decreases 10 seconds, that is 1 minute plus 50 seconds.

When the knob is held clockwise, the time will add whole minutes, not in 10-second intervals.

Rotate the knob anticlockwise for 3 seconds, timer is fixed, and timer is well set.

Rotate the knob clockwise to select the speed.

The device will automatically turn off when the timer has finished counting down.

Using the mixing bowl

Fig. 7

Place the mixing bowl on its support and turn it following the LOCK sign to lock it into place.

(1)

In order to lift the drive arm, press the lever downwards in the direction of the arrow. The drive arm will now move upwards. (2)

Mount the required utensil by inserting the top into the drive shaft and locking the cotter pin in the shaft by turning it to the right. (4)

Introduce the ingredients. Do not overfill the device. The maximum load is 1.5 kg.

Lower the arm using the lever. (3)

Plug the device into a power supply.

Turn the device on by turning the knob clockwise to the desired speed setting according to the type of mixture.

Speed levels and use of utensils according to the type of mixture

Levels	Utensil	Mixture
1-3	Kneading arm	Heavy mixtures (e.g. bread or short pastry)
3-5	Kneading arm, mixer	Medium-heavy mixtures (e.g. crepes or sponge mixture).
6-8	Whisk	Light mixtures (e.g. cream, egg white, blancmange).

Note:

Short operation time: With heavy mixtures, do not operate the machine for more than 10 minutes and then allow it to cool down for 10 min before operating it again.

Use the splashproof cover to protect against liquid mixtures.

Mixing eggs with the whisk requires 3 min.

After kneading/stirring, turn the switch back to the "0" position as soon as the mixture has formed a ball. Then, remove the mains plug.

Press the lever downwards to raise the arm.

The mixture can now be released with the help of a spatula and removed from the mixing bowl.

Remove the mixing bowl by turning to the left.

Clean all the parts as described in the Cleaning and maintenance section.

4. CLEANING AND MAINTENANCE

Before cleaning the device, make sure that the appliance is disconnected from the mains.

The accessories can be cleaned with soap and water. Try to clean the appliance as soon as you finish using it, as the dry texture of some food may be difficult to remove.

Clean the surface of the device with a cloth dampened in water.

Do not use abrasive or chemical products, such as metallic scourers, which may deteriorate the surfaces of the appliance.

If the appliance is not going to be used for a long time, unplug it from the power supply and store it in a cool and safe place.

Never immerse the device, its motor or cord in water.

After operation, all the accessories should be cleaned as soon as possible in order to avoid the ingredients from sticking onto the accessories for long time, making it more difficult to clean.

Put the bowl, Kneading arm, mixer, whisk and clean them with a dishcloth or brush. If necessary, dip them in water for 10 minutes first, it will be easier to clean.

Clean thoroughly the food tray, the blade of the meat grinder and the vegetable cutter.

There is no accessory that is dishwasher safe.
Allow the parts to dry thoroughly before reassembling the device.
Apply a small quantity of vegetable oil likely to the screens after they have dried.

5. TECHNICAL SPECIFICATIONS

04169 Twist&Fusion 4000 Luxury Black
04170 Twist&Fusion 4000 Luxury Red
04171 Twist&Fusion 4000 Luxury White
800 W, 220-240 V ~, 50/60 Hz
Made in China | Designed in Spain

6. DISPOSAL OF OLD ELECTRICAL APPLIANCES



The European directive 2012/19/EU on Waste Electrical and Electronic Equipment (WEEE), specifies that old household electrical appliances must not be disposed of with the normal unsorted municipal waste. Old appliances must be collected separately, in order to optimize the recovery and recycling of the materials they contain and reduce the impact on human health and the environment.

The crossed out "wheeled bin" symbol on the product reminds you of your obligation to dispose of the appliance correctly. If the product has a built-in battery or uses batteries, they should be removed from the appliance and disposed of appropriately. Consumers must contact their local authorities or retailer for information concerning the correct disposal of old appliances and/or their batteries.

7. TECHNICAL SUPPORT SERVICE AND WARRANTY

This product is under warranty for 2 years from the date of purchase, as long as the proof of purchase is submitted, the product is in perfect physical condition, and it has been given proper use, as explained in this instruction manual.

The warranty will not cover the following situations:

The product has been used for purposes other than those intended for it, misused, beaten, exposed to moisture, immersed in liquid or corrosive substances, as well as any other fault attributable to the customer.

The product has been disassembled, modified, or repaired by persons, not authorised by the official Technical Support Service of Cecotec.

Faults deriving from the normal wear and tear of its parts, due to use.

The warranty service covers every manufacturing defects of your appliance for 2 years, based on current legislation, except consumable parts. In the event of misuse, the warranty will not apply. If at any moment you detect any problem with your product or have any doubt, do not hesitate to contact Cecotec Technical Support Service at +34 963 210 728.

www.cecotec.es

Grupo Cecotec Innovaciones S.L.
C/ de la Pinadeta s/n, 46930
Quart de Poblet, Valencia (Spain)
PE01200812