

ZBOM 志邦

志邦家居股份有限公司
地址: 安徽省合肥市庐阳工业园连水路19号
电话: 传真 0551-65203868 0551-65203999
Http://www.zbom.com
生产厂家: 广州诺米家居五金有限公司
生产地址: 广州市南沙区大岗镇良山第一工业区23号

17610151

魔方-600平拉篮使用说明书

Instructions for use of seasoning basket

ZBOM 志邦

ZBOM 志邦

目录

一、配件清单	1
二、安装说明	2
三、使用注意事项	6
四、日常保养及维护	7
五、常见故障及处理方法	7
六、保修说明	7

前言

非常感谢您选购ZBOM志邦厨身收纳产品!
在使用之前, 请您仔细阅读本使用说明书。
由于不遵守该使用及安装说明书中规定的注意事项, 所引起的任何故障和损失均不在厂家的保修范围内, 厂家亦不承担任何相关责任。请妥善保管好所有文件。
如有疑问, 请与当地的ZBOM志邦厨电客户服务中心或经销商联系。
本公司为您提供免费安装调试服务。

Preface

Thanks for your choosing zbom cooking appliances.
Please read this specification carefully before you use the product.
Any failure and losses caused by ignoring the below mentioned items and cautions mentioned in the operation and installation instruction are not covered by our warranty and any liability. Please keep all documents in a safety place for future reference.
If you have any doubt, please contact our local service center or dealer.
We will afford service for free installing and debugging.

重要信息

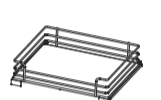
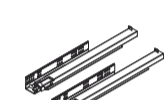

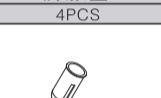
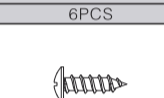
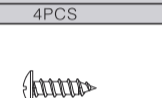
- ※ 所有包装材料都是环保的可回收的。请按照环保的方式正确处理。
- ※ 请勿让儿童玩耍塑料薄膜和包装箱, 以免发生窒息事故。
- ※ 请您开箱后逐一检查产品和附件是否齐全。

敬告:

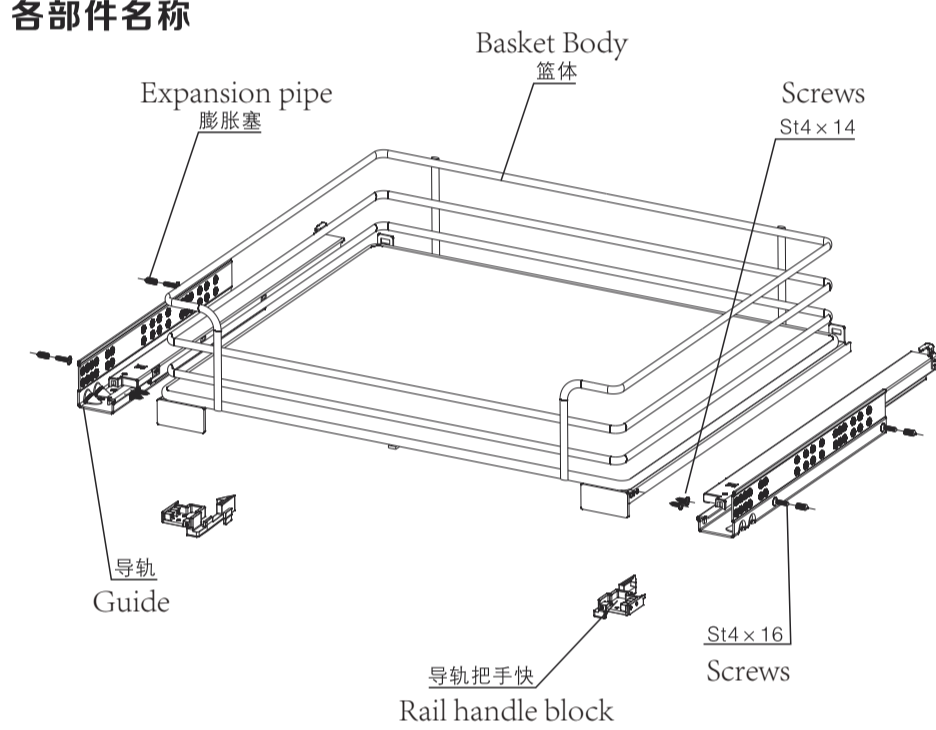
志邦家居股份有限公司保留对该使用及安装说明书中所有内容的最终解释权。如有变更, 请恕不另行通知。

ZBOM 志邦

一、配件清单

篮体 1PCS	① 导轨 2PCS	② 导轨把手块 2PCS
 Basket Body	 Guide	 Rail handle block
③ 膨胀塞 4PCS	④ ST4*16 6PCS	⑤ ST4*14 4PCS
 Expansion pipe	 Screws	 Screws

各部件名称



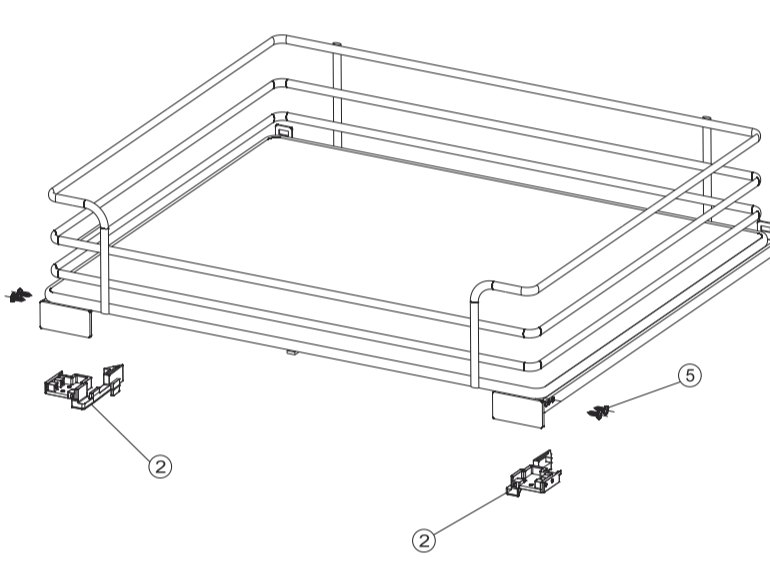
二、安装说明 Installation instructions.

Note: in order to avoid accidents, the installation must follow the instructions:

1. Please read this installation manual carefully before installation. This basket is suitable for 16-18mm cabinets. The depth of the door is 550mm-600mm with a height of not less than 200mm; pay special attention to the horizontal installation of the front bezel of the cabinet to avoid occupying the height space of the cabinet.
2. In order to ensure the installation quality and performance of the basket, ensure that the track is installed in the standard cabinet, otherwise it is easy to cause the pull of the basket is not smooth "unreasonable space" panel mediation difficulties and other situations.
3. In order to ensure the smooth installation, please use the accessories in the package, otherwise it will easily cause errors in the installation of the basket.

安装步骤一: Installation Step1

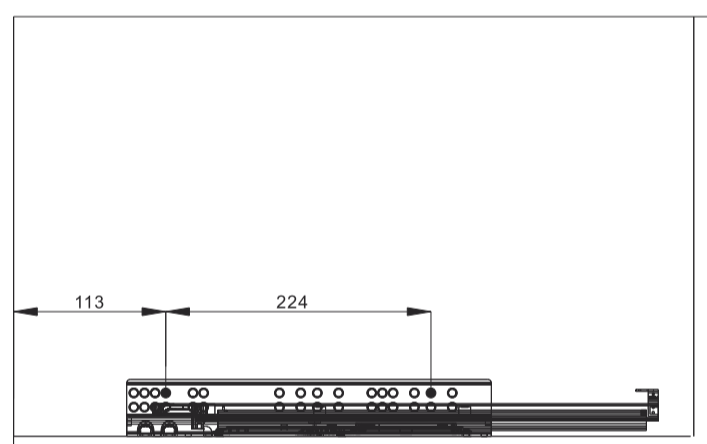
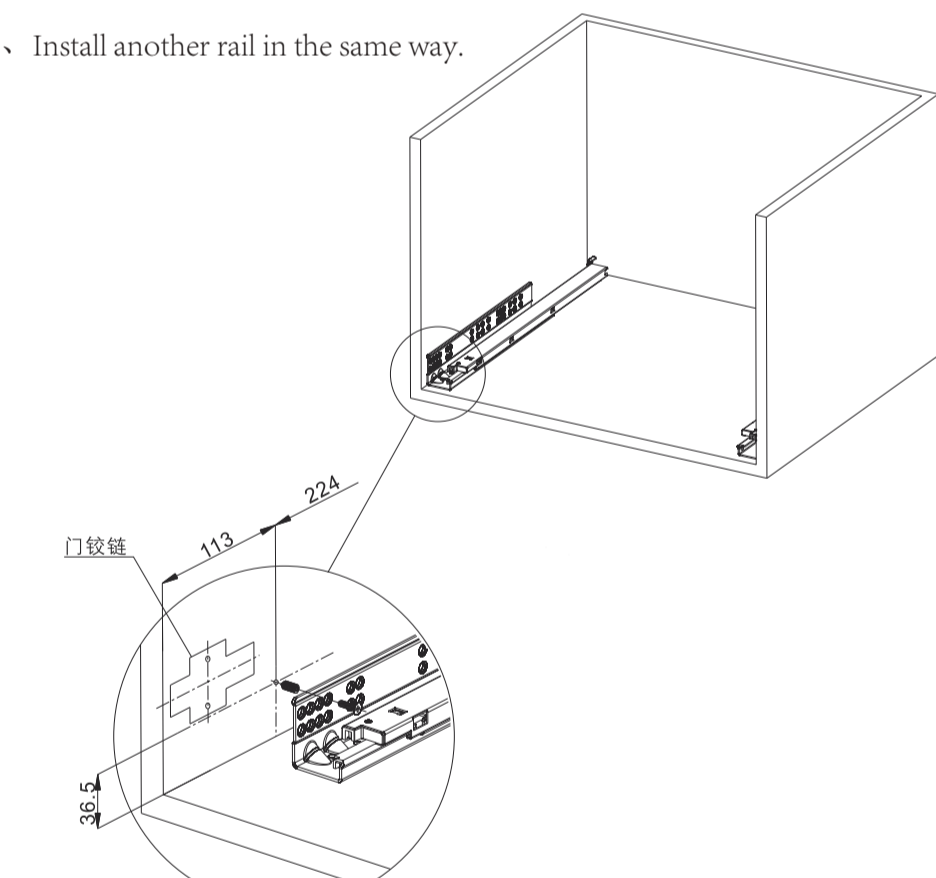
- 1.1 组装导轨把手块 Assemble guide handle block.



ZBOM 志邦

安装步骤二: Step 2

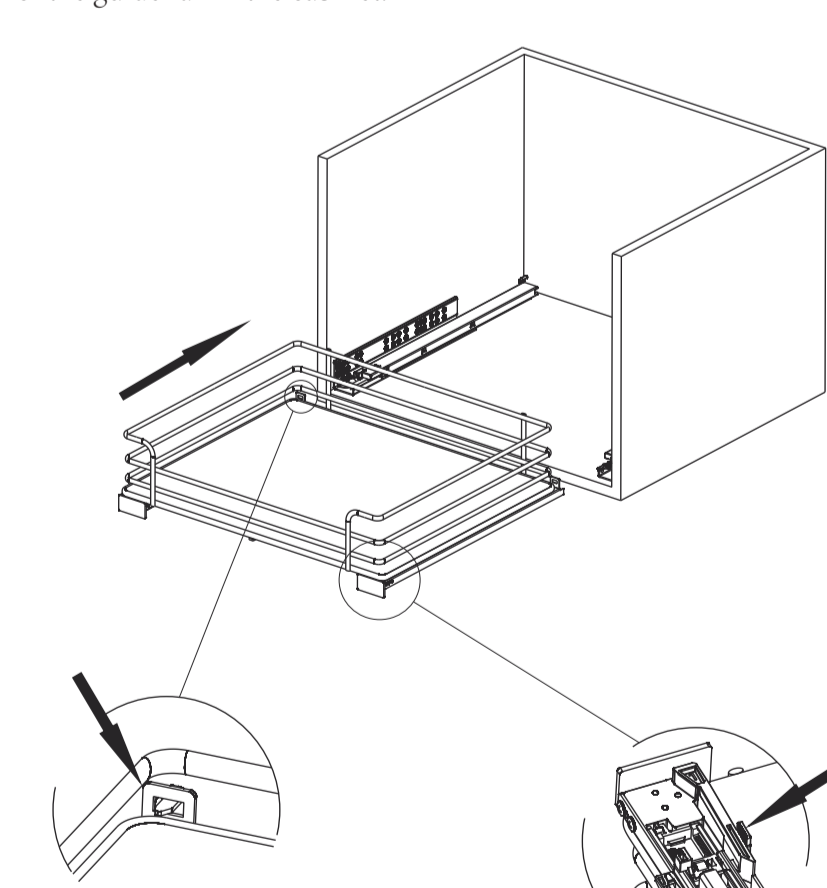
- a. Drill the 5mm round hole on the side plate according to the required size, and install the 3 expansion plug into the hole drilled on the side plate.
- b. Use 4 screws to pass through the fourth hole in the upper row of 1 rail (see the figure below) and screw in the expansion plug.
- c. Install another rail in the same way.



ZBOM 志邦

安装步骤三: Step 3:

- 3.0 将拉篮主体平行装入柜内导轨正确位置上;
Install the main body of the basket in parallel into the correct position of the guide rail in the cabinet.



(When assembling and installing the basket and guide, pay attention to whether it is clamped correctly here. 篮子与导轨安装时, 注意此处是否正确卡紧)

朝内按压, 让塑料把手完全固定导轨
同时滑动两边塑料把手块, 可分离导轨取出篮子
Press inward, let the clinker handle completely secure the guide rail, and pull the plastic handle blocks on both sides to separate the guide rail to take out the basket

三、使用注意事项 Matters needing attention in use.

1. Nano dry plating products can not hold strong acid and alkaline food for a long time, which contains many electrolytes, and these electrolytes will react with these electrolytes when stored in nano dry plating products for a long time. As a result, metal elements such as chromium and nickel on the surface of the product are dissolved.
2. Do not wash nano dry plating products with strongly alkaline or oxidizing chemicals such as soda, bleach and sodium hypochlorite.
3. If there are drops of soy sauce, vinegar and salt on the product during use, please wash them in time and wipe them with a clean, dry soft cloth.
4. In the use of nano-dry plating products, sharp or hard objects should not be used to bump against the surface of the product, as it is very easy to scratch the surface layer, rust and damage the product.
5. In the process of drawing the basket, avoid splashing liquid and small particles into the track, maintain the smoothness of the track, store items not to exceed the rated load of the product, and prevent the basket and track deformation.

四、日常保养及维护 Daily maintenance and maintenance.

1. Keep the interior of the basket neat and tidy. If you have a basket with a water tray, please clean the tray regularly.
2. Avoid liquid splashing into the track and maintain the normal operation and service life of the track.
3. Avoid contact with strong alkali and strong acid. If soy sauce and salt are spilled on the basket, please clean it up in time.

五、常见故障及处理方法 Common faults and solutions

序号	常见问题	原因分析	处理方法
1	Pumping is not smooth	Damaged guide spring The lubricating oil of the guide rail is dry Deformation and damage of guide rail There is a foreign object in the rail	Replace the guide rail spring, add lubricating oil, replace the guide rail, remove foreign objects
2	Spots and odors appear on the basket wire frame	Not cleaned for a long time	Clean pull baskets and drip trays in a timely manner