

# cecotec

## ROCK'NTOAST FAMILY

Sandwichera / Sandwich maker




Manual de instrucciones  
Instruction manual  
Manuel d'instructions  
Bedienungsanleitung  
Manuale di istruzioni  
Manual de instruções  
Handleiding  
Instrukcja obsługi  
Návod k použití

## INDEX

1. Parts and components	27
2. Before use	27
3. Operation	27
4. Cleaning and maintenance	28
5. Technical specifications	28
6. Disposal of old electrical and electronic appliances	29
7. Technical support and warranty	29
8. Copyright	29

## SAFETY INSTRUCTIONS

Read these instructions thoroughly before using the product. Keep this instruction manual for future reference or new users.

-  This symbol means "caution, hot surface". The accessible surfaces of the appliance may reach high temperatures during operation. Be careful not to burn yourself.
- The appliance is not intended to be operated by means of an external timer or separate remote-control system.
- Check the power cord regularly for visible damage. If the cord is damaged, it must be repaired by the official Cecotec Technical Support Service to avoid any type of danger.
- This appliance can be used by children aged 8 years and above and persons with reduced physical, sensory, or mental capabilities or lack of experience and knowledge if they have been given supervision or instruction concerning use of the appliance in a safe way and understand the hazards involved. Children must not play with the appliance. Cleaning and user maintenance should not be carried out by children unless they are over 8 years old and are under supervision.
- Keep this appliance and its power cord out of reach of children under the age of 8.
- Supervise children to prevent them from playing with the appliance. Close supervision is necessary if the appliance is used by or near children.
- This appliance is designed for domestic use only and is not intended for bars, restaurants, farmhouses, hotels, motels, and offices.
- Place the appliance on a dry, stable, heat-resistant surface. Position the appliance in such a way to avoid spillage of hot liquids. Be especially careful with the handle.

- Do not immerse the cord, plug, or any non-removable part of the appliance in water or any other liquid or expose electrical connections to water. Make sure your hands are dry before handling the plug or switching on the appliance.
- Make sure that the mains voltage matches the voltage stated on the product marking and that the wall outlet is grounded.
- The appliance will be very hot during and immediately after operation. Use gloves or other convenient protective equipment to avoid burns and injuries.
- Use a heat-resistant base when using the device on surfaces sensitive to high temperatures.
- Do not twist, bend, pull, or damage the power cord. Protect it from sharp edges and heat sources. Do not allow the cord to touch hot surfaces. Do not let the cord hang over the edge of the working surface or worktop.
- Do not use the device outdoors, near a gas or electric hob, in heated ovens, or near open flames.
- Do not operate the device after it has been dropped or if it malfunctions.
- Extreme caution must be taken when moving the device.
- Always turn off and disconnect the device from the power supply when not in use or if it is not going to be used for a long period of time and before cleaning it. Pull from the plug, not the cord, to disconnect it from the outlet.

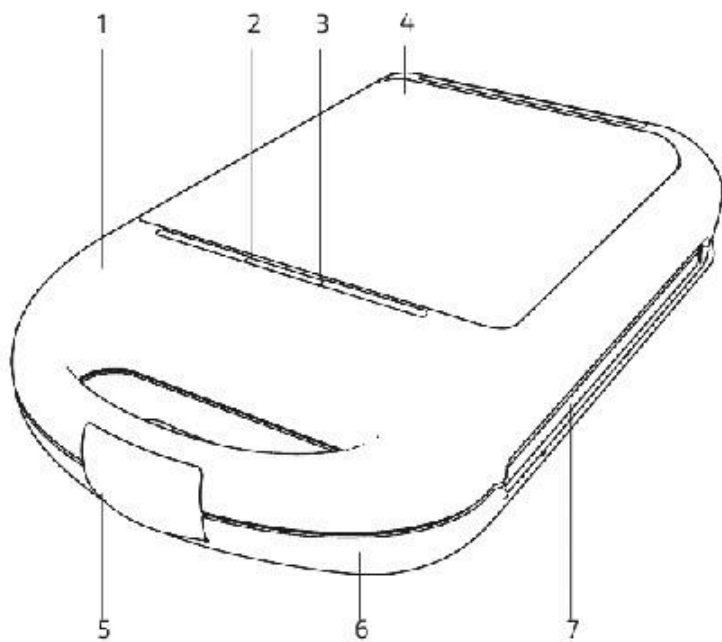


Fig./Img./Abb./Afb./Rys./Obr. 1

## 1. PARTS AND COMPONENTS

Fig. 1

1. Upper housing
2. Red light indicator (ON/OFF)
3. Green light indicator (heating)
4. Decorative plate
5. Lock
6. Lower housing
7. Plate

NOTE:

The graphics in this manual are schematic representations and may not exactly match the product.

## 2. BEFORE USE

- This appliance is packaged in a way as to protect it during transport. Take the appliance out of its box and remove all packaging materials. You can keep the original box and other packaging elements in a safe place. This will help you prevent product damage when transporting it in the future. In case the original packaging is disposed of, make sure all packaging materials are recycled accordingly.
- Make sure all parts and components are included and in good conditions. If there is any piece missing or in bad conditions, contact the official Cecotec Technical Support Service immediately.
- Clean the heating plates with a wet sponge or cloth.
- Dry the heating plates with a cloth or paper towel.
- For optimal results, cover both heating plates with some oil.

Note: you may notice a slight burning smell or smoke when using the sandwich maker for the first time, caused by the excess of lubricants from the manufacturing process. This does not affect the safety of the product.

## 3. OPERATION

1. Plug the appliance in.
2. The red and green indicator lights will light up and the toasting plates will heat up.
3. Pre-heat the device before using it. As soon as the device heats up, the green light will turn off. Now you can start toasting.

### Warning

Do not force the food into the device. Very stuffed breads may make it impossible to close the device. Take some of the filling out and try again.

4. During the toasting process, the temperature regulator and its indicator light will switch on and off again.
5. When the toasting process is finished (it takes approximately 2-3 minutes), open the device and remove the food with a wooden or plastic spatula. Never use a sharp or metallic object to do so, as this can damage the coating.
6. For further use, close the device again and wait for the plates to reheat.
7. Repeat the process as soon as the indicator light switches off.
8. Allow the device to cool down when it is not going to be used anymore. Finally, unplug it from the power supply.

### Warning

- The heating plates and the sides of the device will get very hot during use. Avoid touching them. Hold the appliance only by the handle.
- The device must be placed horizontally during use.
- Do not use charcoal or similar combustible fuels on this device.

## 4. CLEANING AND MAINTENANCE

- Disconnect the device from the power supply and allow it to cool down before cleaning.
- Use a soft, damp cloth to clean the surface of the device. It is suggested to remove breadcrumbs with a soft brush.
- Do not immerse the device in water or other liquids.
- Do not use abrasive cleaners or scouring pads to clean the product.
- Do not immerse or splash the device with water or any other liquid.

## 5. TECHNICAL SPECIFICATIONS

Product reference: 03111/ 02941/ 02942/ 02943/ 02944

Product: Rock'nToast Family/ X/ M/ S/ T

Power: 1500 W

Voltage: 220-240 V~

Frequency: 50 / 60 Hz

Technical specifications may change without prior notification to improve product quality.

Made in China | Designed in Spain

## 6. DISPOSAL OF OLD ELECTRICAL AND ELECTRONIC APPLIANCES



This symbol indicates that, according to the applicable regulations, the product and/or batteries must be disposed of separately from household waste. When this product reaches the end of its shelf life, you should dispose of the cells/batteries/accumulators and take them to a collection point designated by the local authorities.

Consumers must contact their local authorities or retailer for information concerning the correct disposal of old appliances and/or their batteries.

Compliance with the above guidelines will help protecting the environment.

## 7. TECHNICAL SUPPORT AND WARRANTY

Cecotec shall be liable to the end user or consumer for any lack of conformity that exists at the time of delivery of the product under the terms, conditions, and deadlines established by the applicable regulations.

It is recommended that repairs be carried out by qualified personnel.

If at any moment you detect any problem with your product or have any doubt, do not hesitate to contact the official Cecotec Technical Support Service at +34 963 210 728.

## 8. COPYRIGHT

The intellectual property rights over the texts in this manual belong to CECOTEC INNOVACIONES, S.L. All rights reserved. The contents of this publication may not, in whole or in part, be reproduced, stored in a retrieval system, transmitted, or distributed by any means (electronic, mechanical, photocopying, recording or similar) without the prior authorization of CECOTEC INNOVACIONES, S.L.

[www.cecotec.es](http://www.cecotec.es)

Cecotec Innovaciones S.L.  
C/ de la Pinadeta s/n, 46930  
Quart de Poblet, Valencia (Spain)  
VV03230221