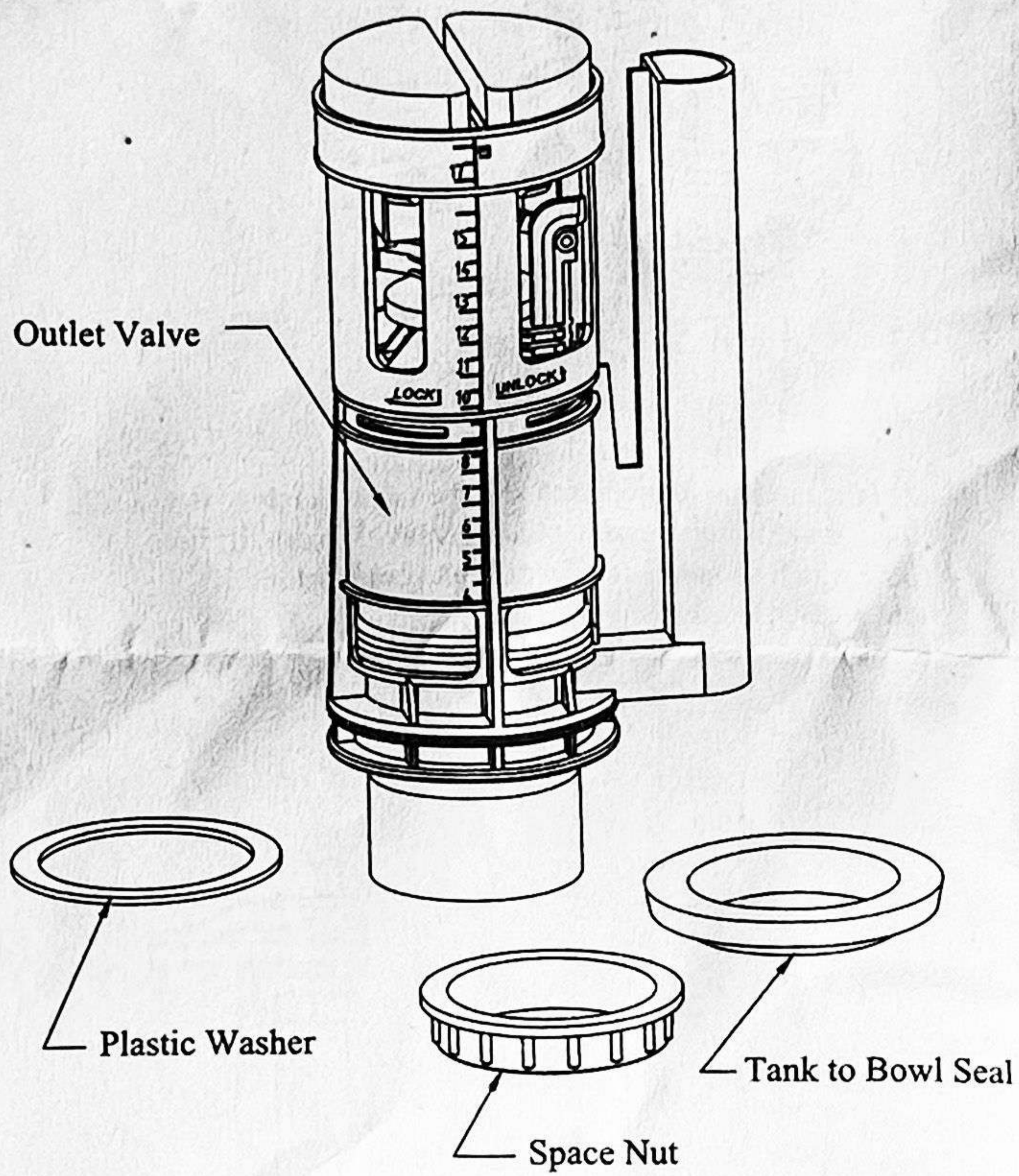
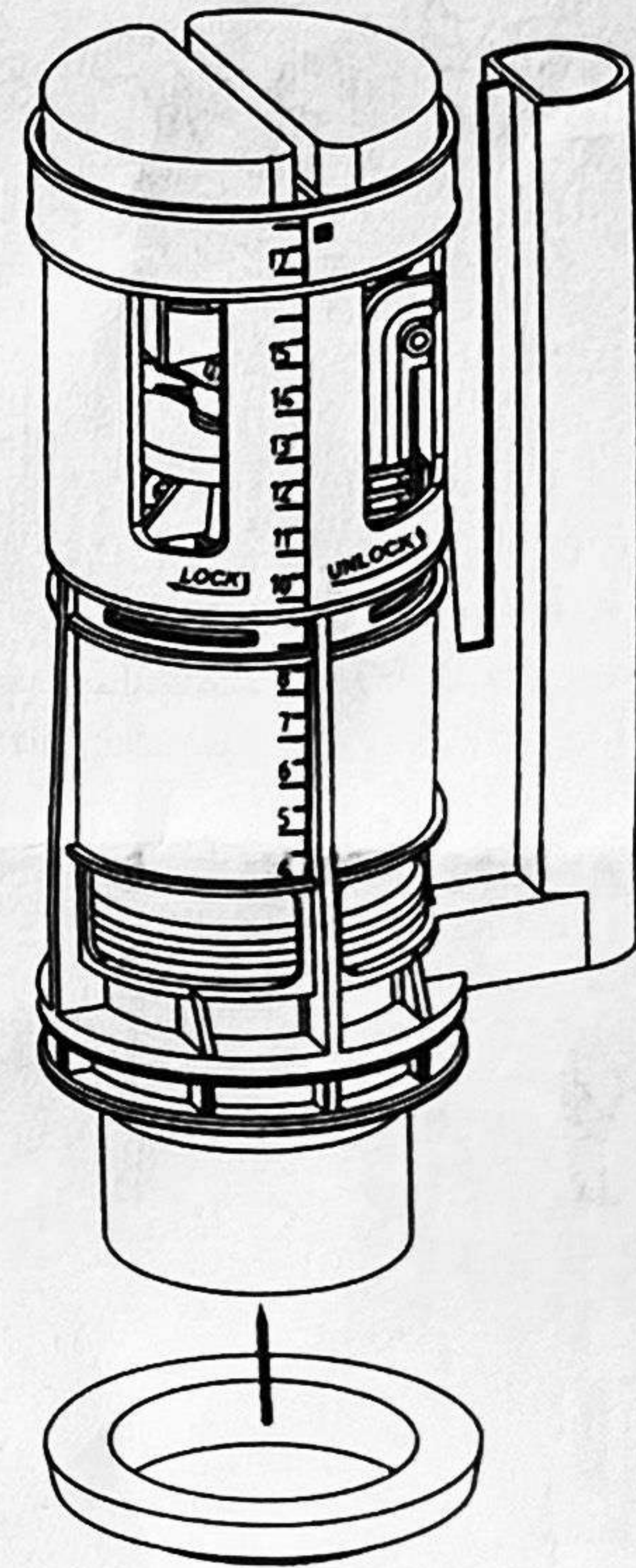


Outlet of Dual Flushing with Top Push Installation Instruction

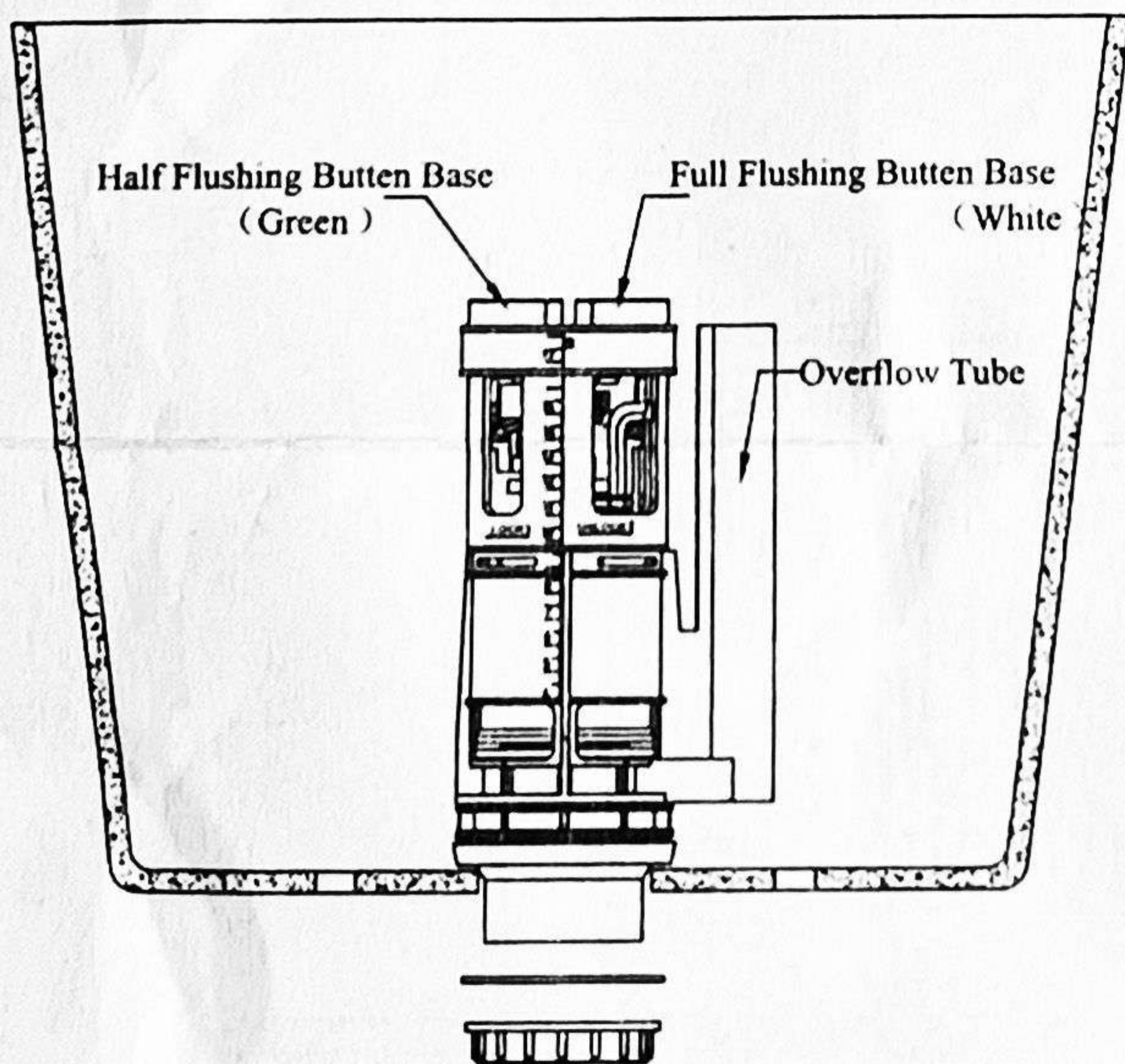
1. Check the completeness of the parts.



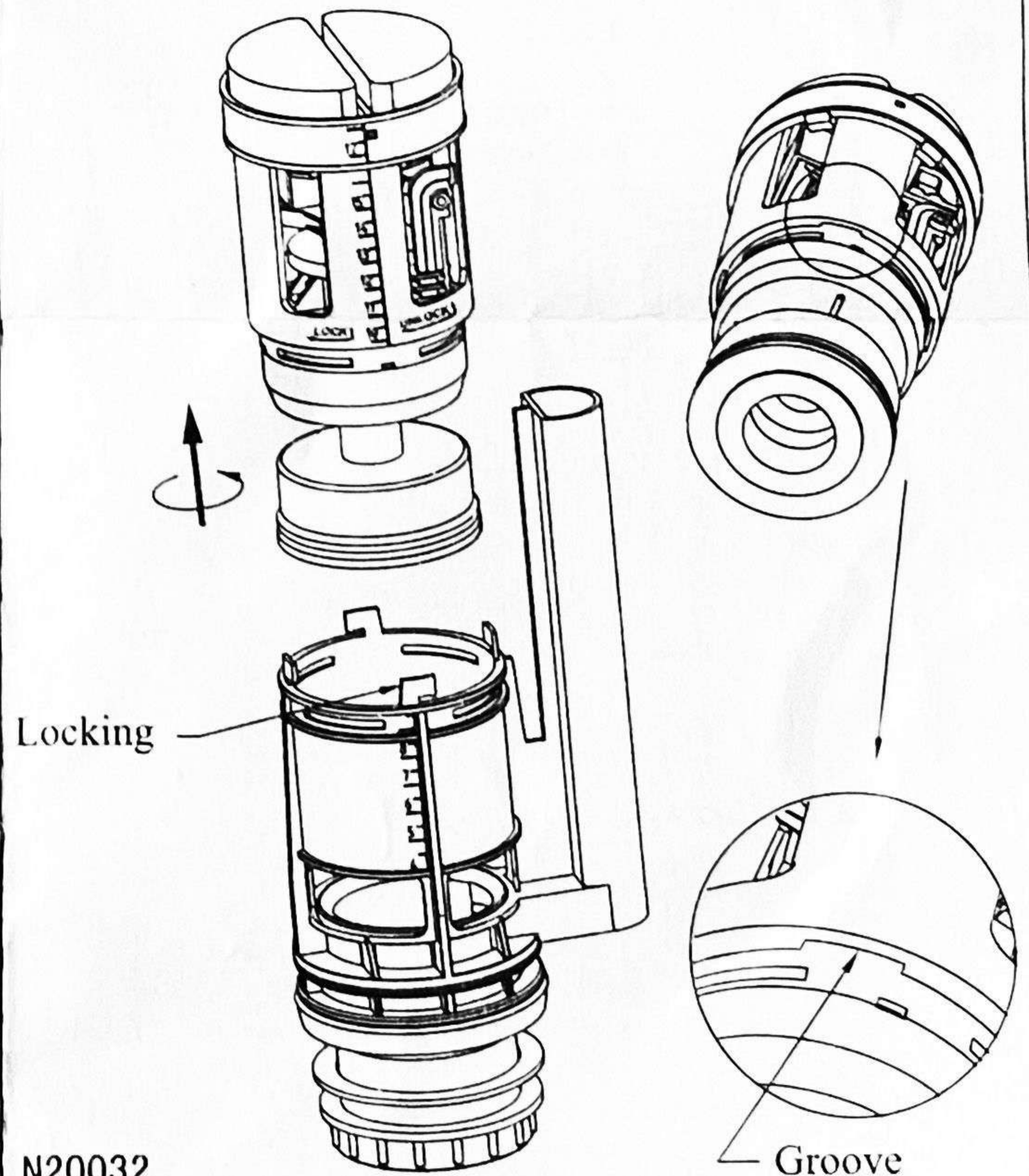
2. Install the tank to bowl seal.



3. Fix the outlet into the outlet fixing hole of cistern.



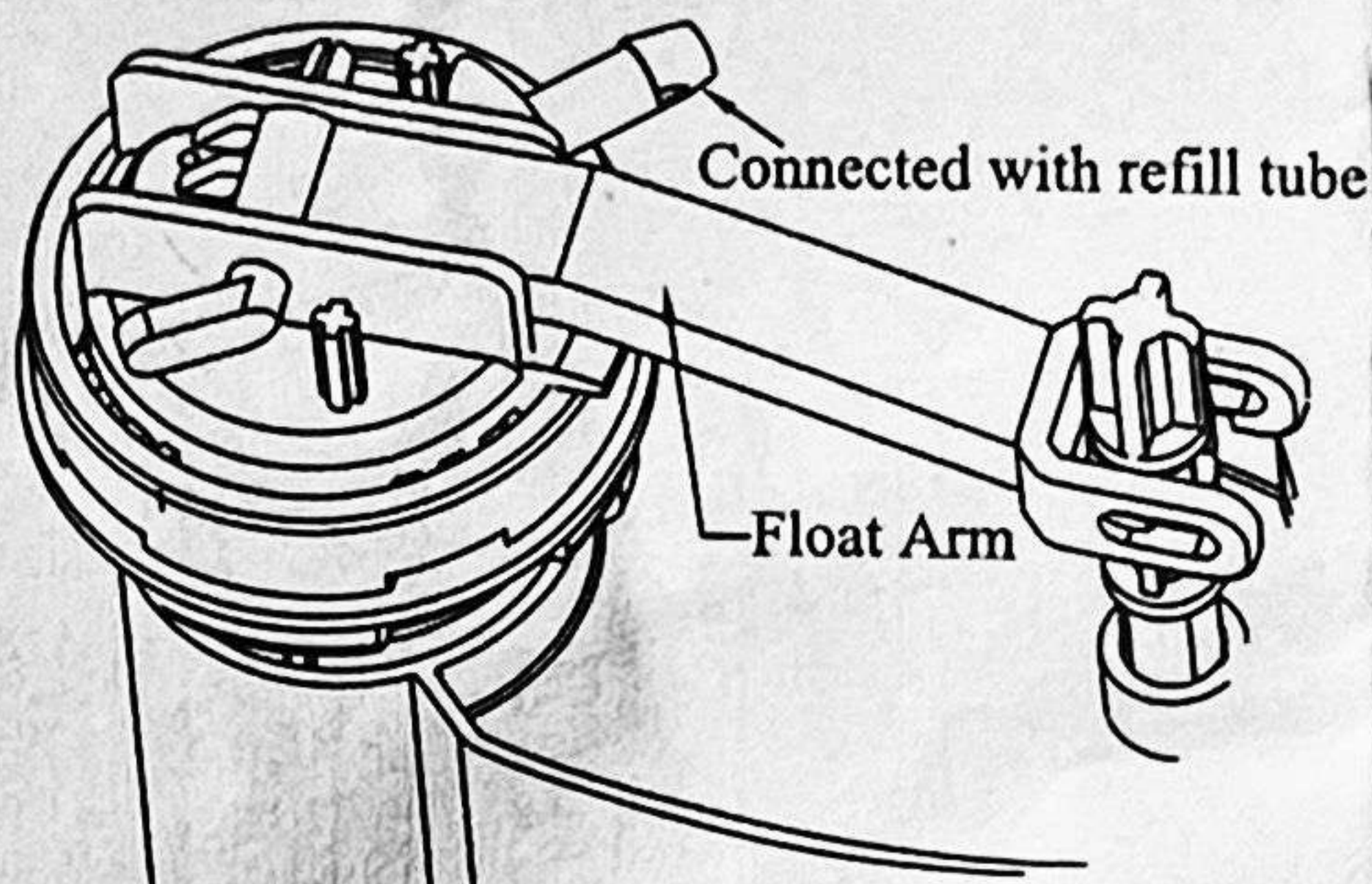
4. If the outlet valve couldn't seal water normally, please clean or replace it.



Please don't put chemistry medicament into the tank, lest seal part or frame invalidated.

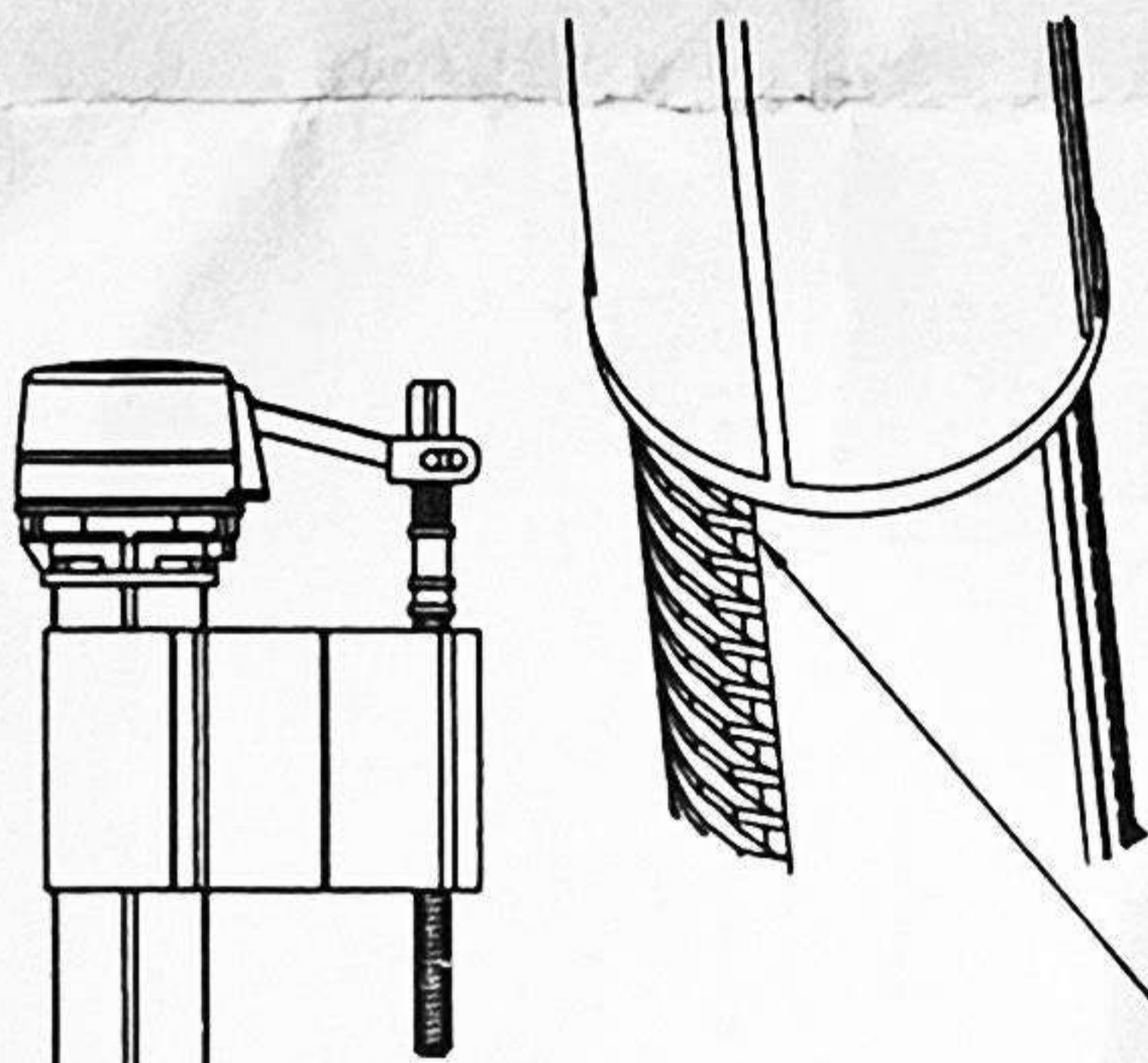
Inlet Valve Installation/Service Instructions

Model A (Adjustable)



Repair Advice

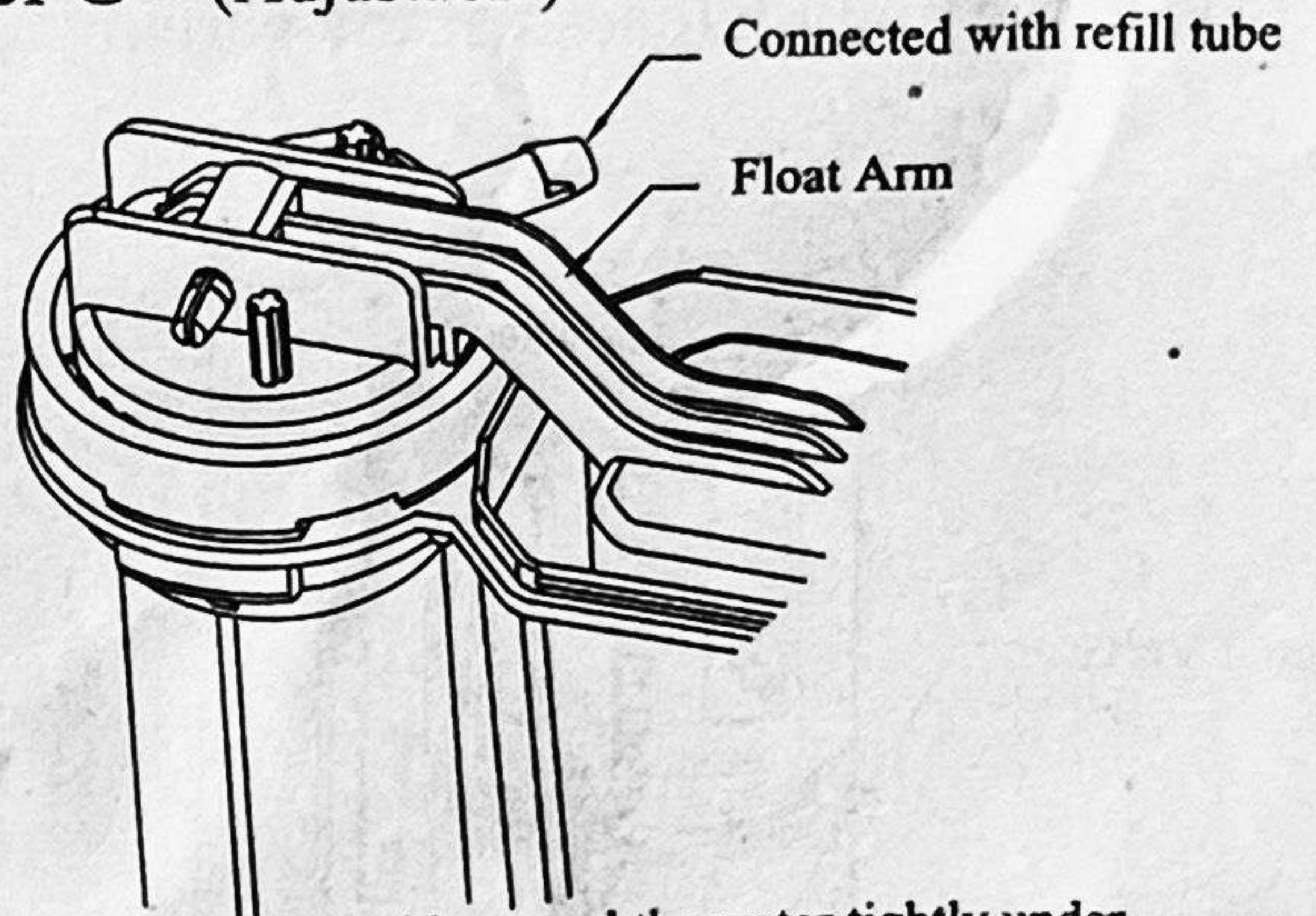
1. Please clear the filter (see Figure) regularly according to the quality of local water. Close the inlet supply valve and then turn the filter nut down to clean the dirt.



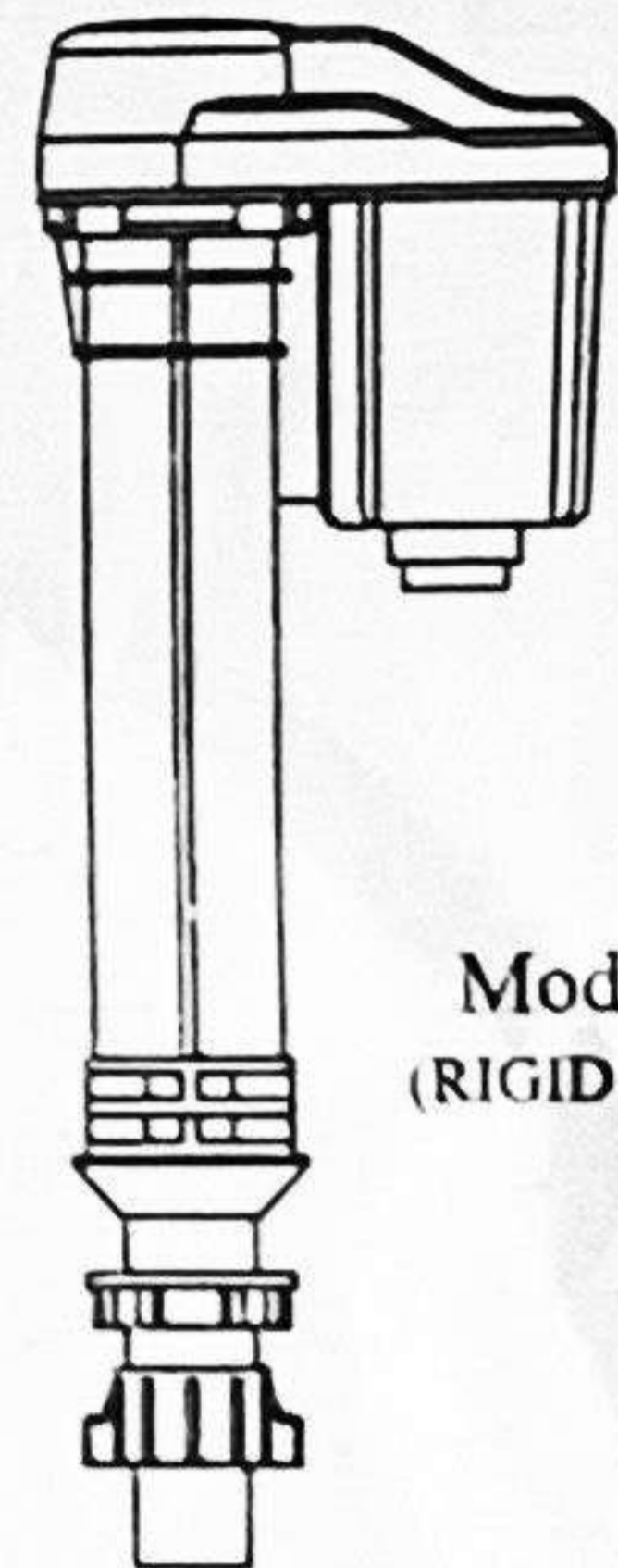
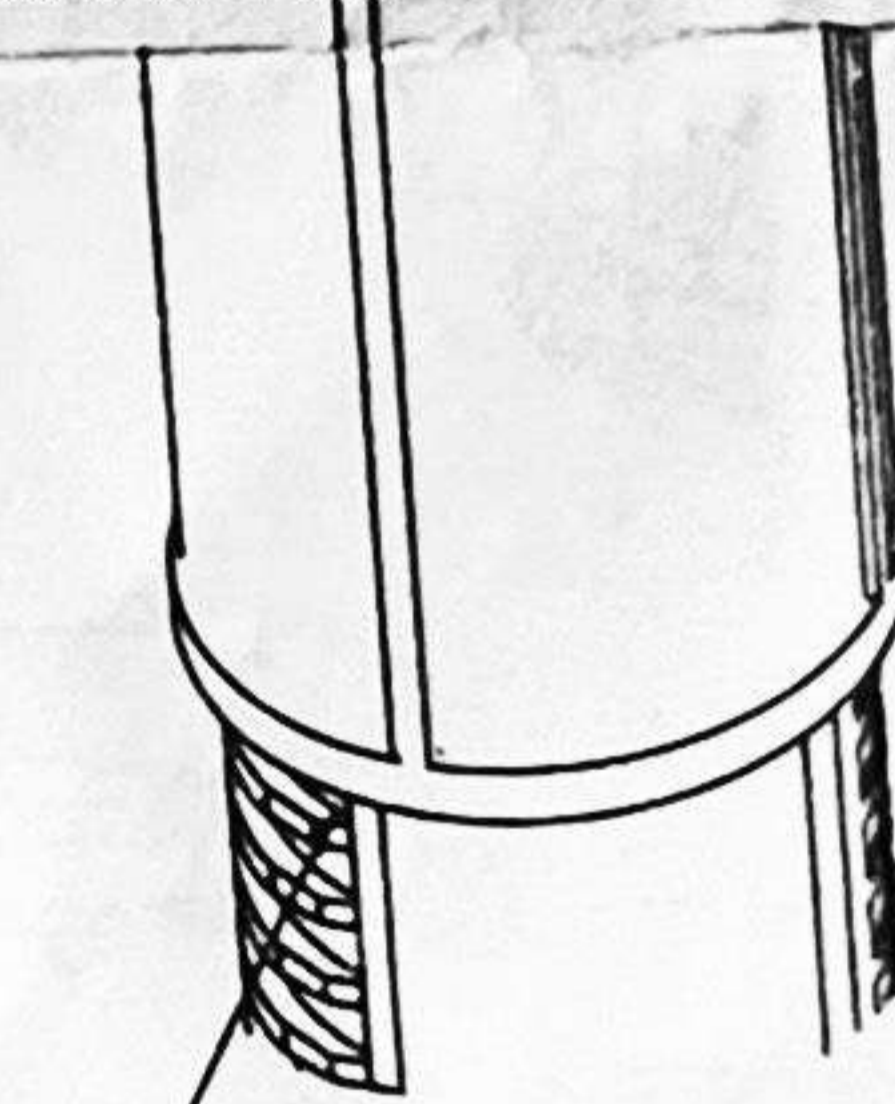
Model AR

Adjust Thead: adjustable water level
Note: this part has been factory set, So please do not adjust it by yourself. If adjusted, please ensure the same is located firmly in proper position.

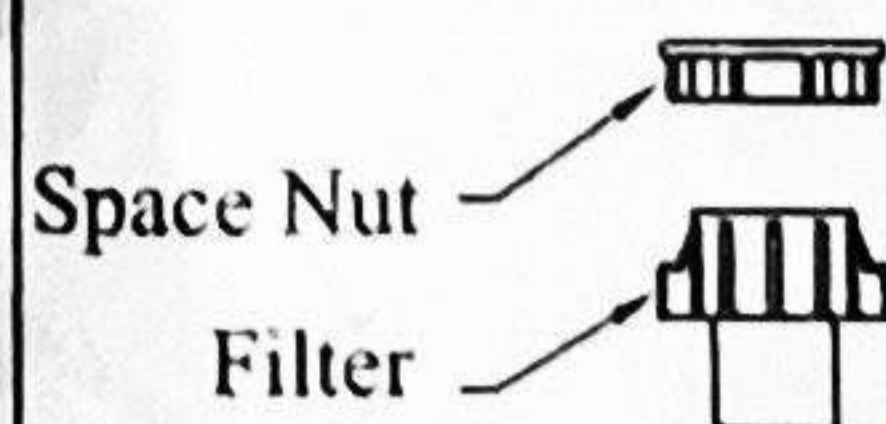
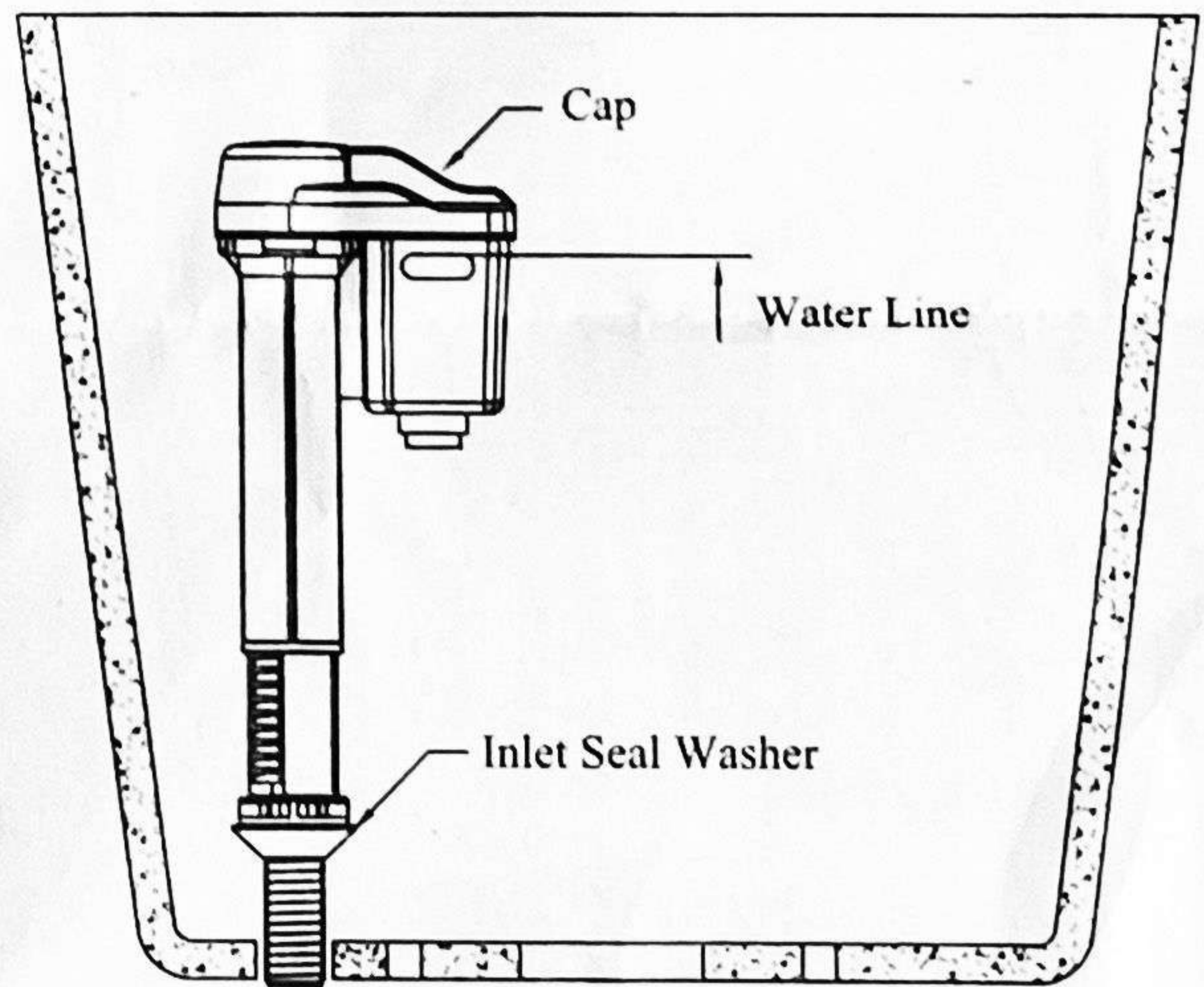
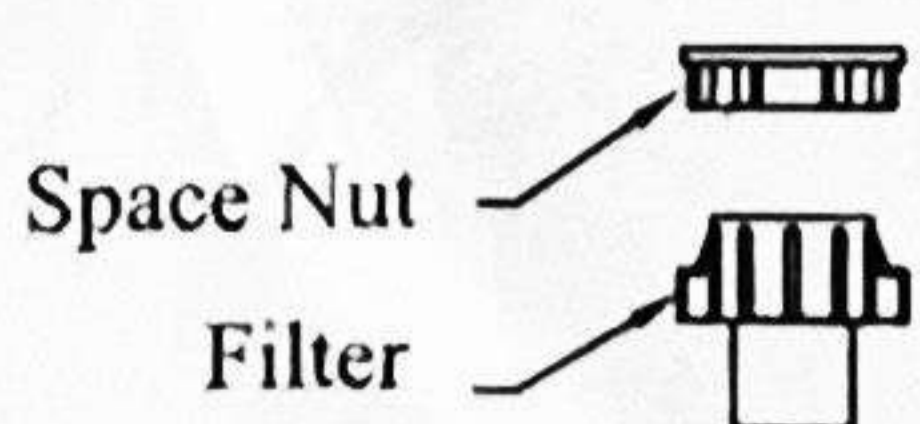
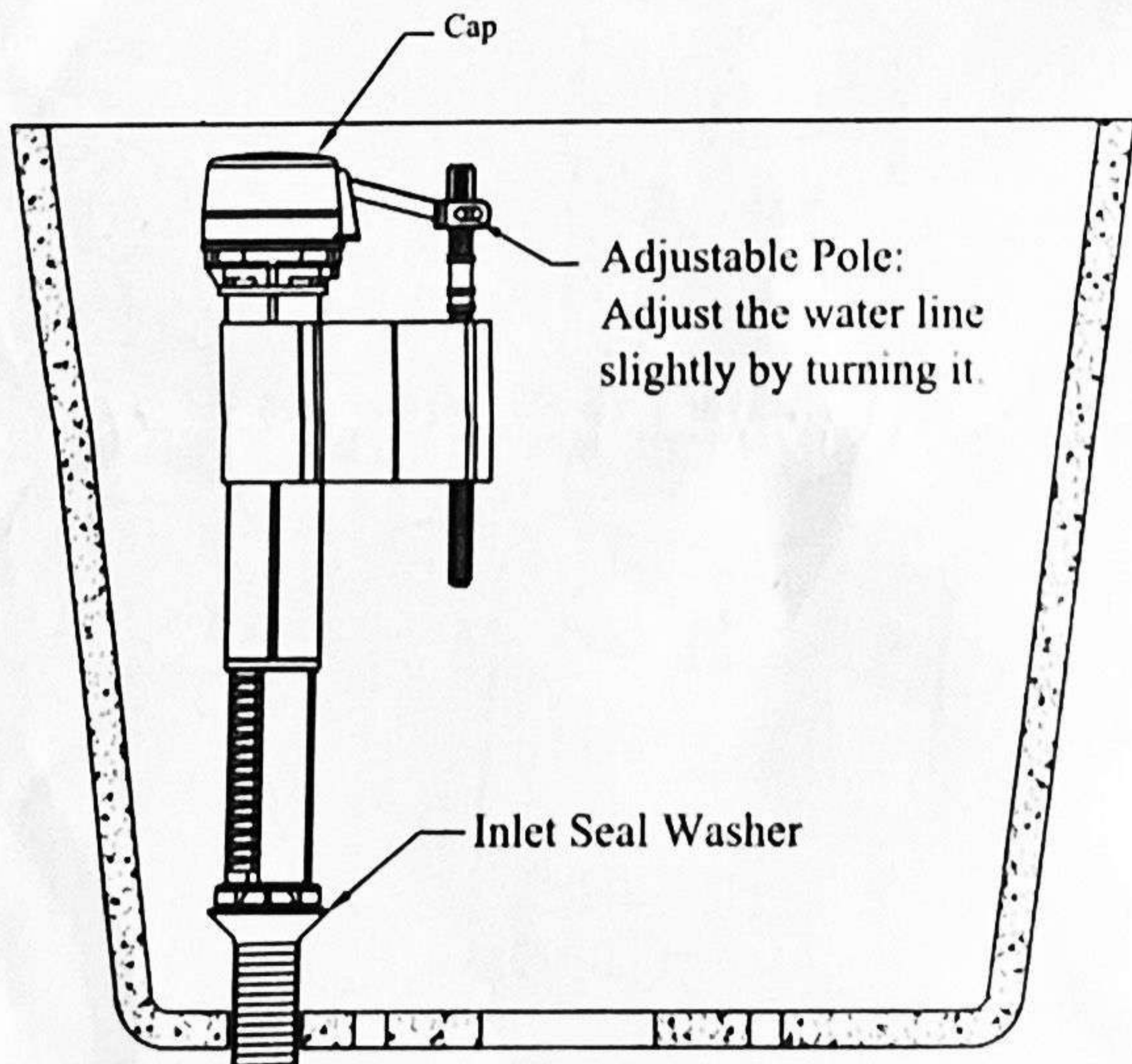
Model G (Adjustable)



2. If the inlet valve could not seal the water tightly under the normal water pressure, please remove the cap, lift float pole which should be felt flexible and not blocking. If not, please clear the sundries off.



Model GR
(RIGID SHANK)



- Warning: 1. Original parts given only shall be used for installation. External/Spurious spares may affect the performance of the product.
2. Suitable condition: (1) Water pressure: 0.02MPa~0.90MPa (0.2bar~9.0bar) (0.5~10KSC). (2) Temperature of water: 0~50°C
3. Don't use it without filter, if not, any results wouldn't be committed by manufacturer.
4. Please avoid use of chemical medicament inside the cistern as the internal parts may get affected due to the same.
5. Please contact our Customer Care Center in case any help is required.