
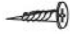









1865#

Ax4 	4*14mm Bx16 	Cx6 	6*50mm Dx18 	Ex1 
Fx8 35mm 	Gx8 	H1x2 H2x2 	64mm Jx2 	4*25mm Kx4 