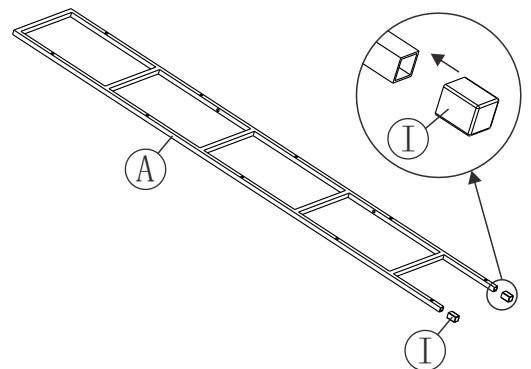


# CWJ6024144LG

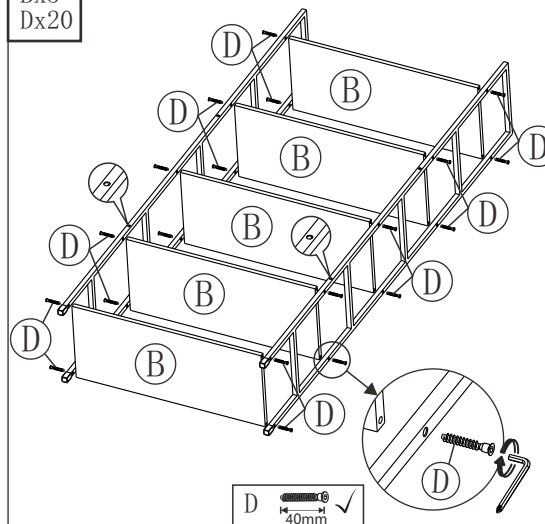
NO.	Qty	Sketch
A	2	
B	5	
C	2	
D	20	6. 3x40
E	1	M4x14mm
F	1	M4
G	4	M6x20mm
H	4	M6
I	4	
J	1	st4x40
K	1	
L	1	
M	1	
N	4	
O	1	
P	1	

1  
Ax2  
Lx4

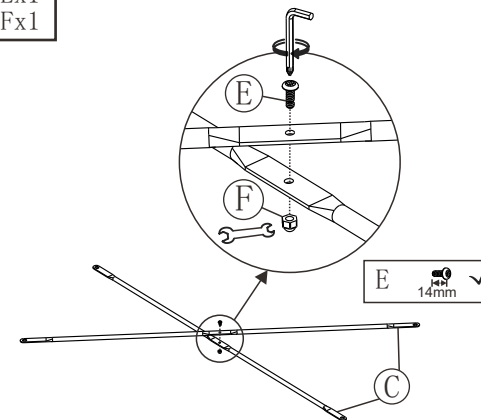


x2

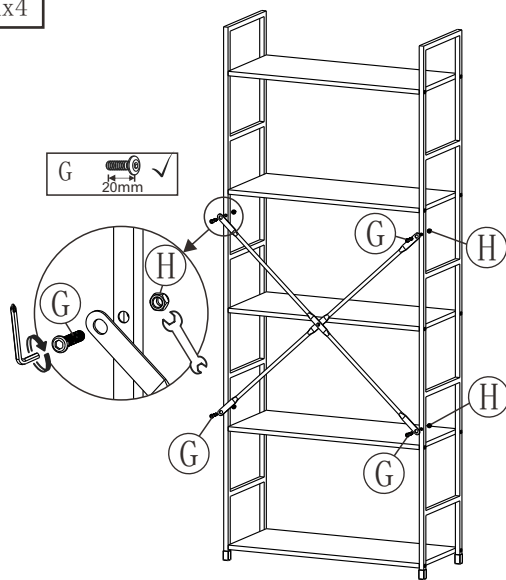
2  
Bx5  
Dx20



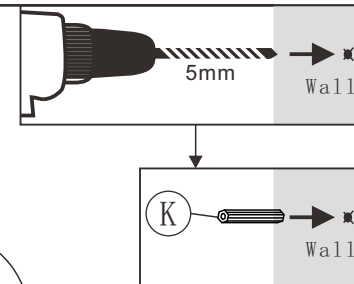
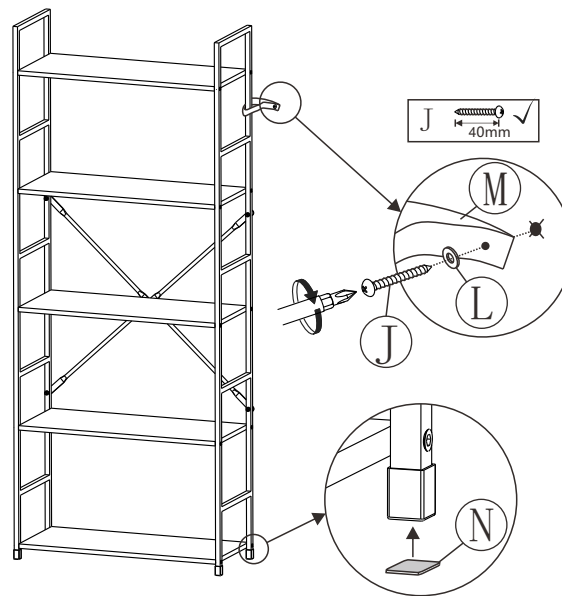
3  
Cx2  
Ex1  
Fx1



4  
Gx4  
Hx4



5  
Jx1  
Kx1  
Lx1  
Mx1  
Nx4



In case of unevenness, please use cloth stickers under plastic foot covers

