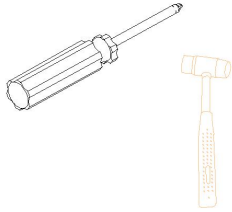

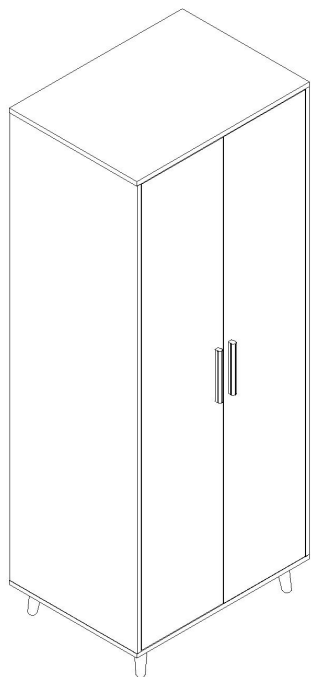


安装示意图/Assembly Instruction

产品名称 Model NO.	JC19D-A1 (0.8m)
产品规格 Specification	804*617*2049mm
安装工具 Tool	安装人数 Installer
	

注: 为保证设计效果, 部分尺寸为定制尺寸, 不影响使用。



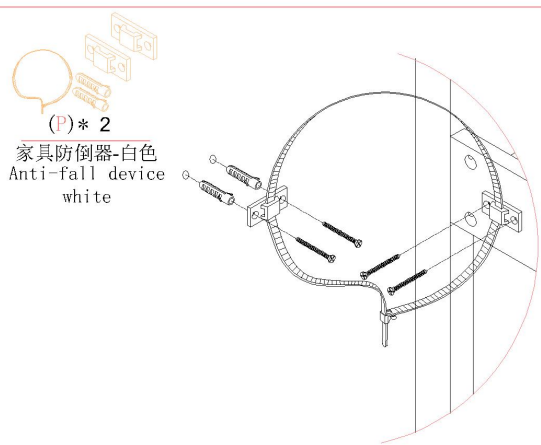
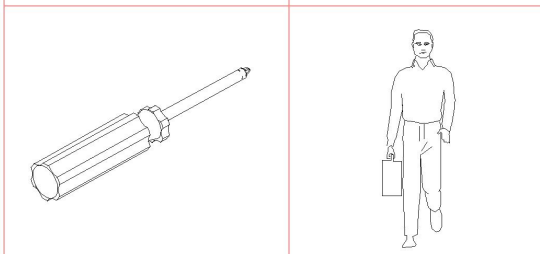
 (A)* 4 透明防滑PVC胶塞 PVC rubber plug	 (B)* 6 背板扣 Back Plate Buckle-White	 (C)* 8 层板托 shelf support	 (D)* 2 挂衣托 Clothes hanger
 (E)* 1 透气孔盖-白色 Vent cover - white	 (F)* 8 缓冲门铰大弯-Ø35 Hinge-big bends	 (G)* 25 二合一螺杆(35mm) 2-in-1-screw	 (H)* 25 大三合一锁饼 Three-in-one large lock
 (I)* 4 拉手螺丝-M4x30mm pulling screw	 (J)* 4 斜边十字螺杆-M8x55 bevel cross screw	 (K)* 4 自攻螺丝M3.5x12mm Self-tapping screw	 (L)* 6 自攻螺丝M3.5x16mm Self-tapping screw
 (M)* 8 木榫Ø8x30mm wood tenon	 (N)* 1 挂衣杆-L=758mm Clothes hanger	 (O)* 4 锤母-(M8*15mm) Hammer nut	 (P)* 2 家具防倒器-白色 Anti-fall device white

编号NO.	名称Name	规格 (mm) Specification	数量QTY	材质Material
①	顶板 Top board	804*594*18	1	三胺板Melamine
②	左侧板 Side board(L)	1888*594*18	1	三胺板Melamine
③	右侧板 Side board(R)	1888*594*18	1	三胺板Melamine
④	底板 Bottom board	804*594*18	1	三胺板Melamine
⑤	脚 Foot	130*46*46	4	实木Wood
⑥	活动层板 Movable shelf	765*552*18	2	三胺板Melamine
⑦	门板 Door board	1882*282*18	2	三胺板Melamine
⑧	边背拉条 Side back brace	1888*101*15	2	三胺板Melamine
⑨	大背板 Big backboard	1898*575*5	1	三胺板Melamine
⑩	长拉手 Long handle	208*25*20	2	实木Wood

LINSY 林氏家居

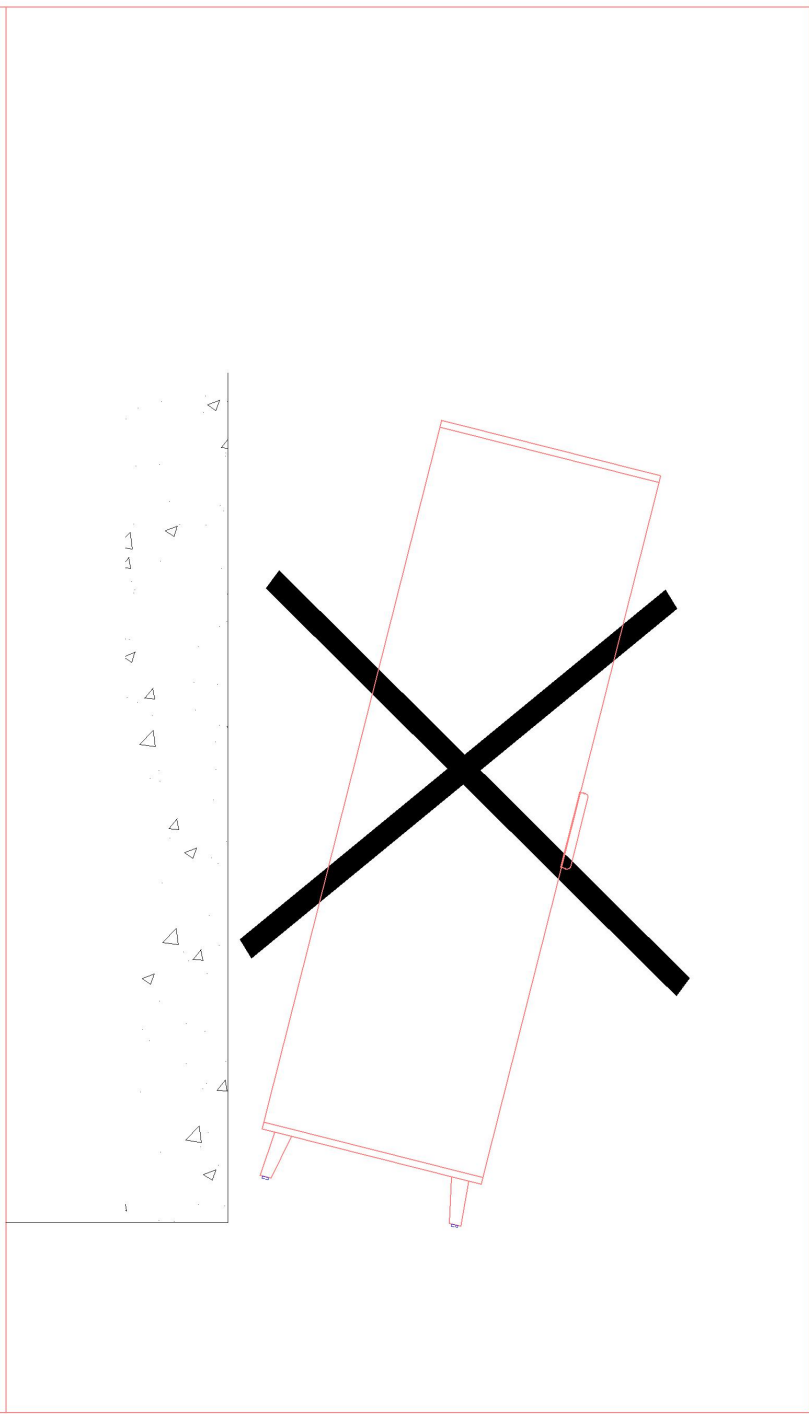
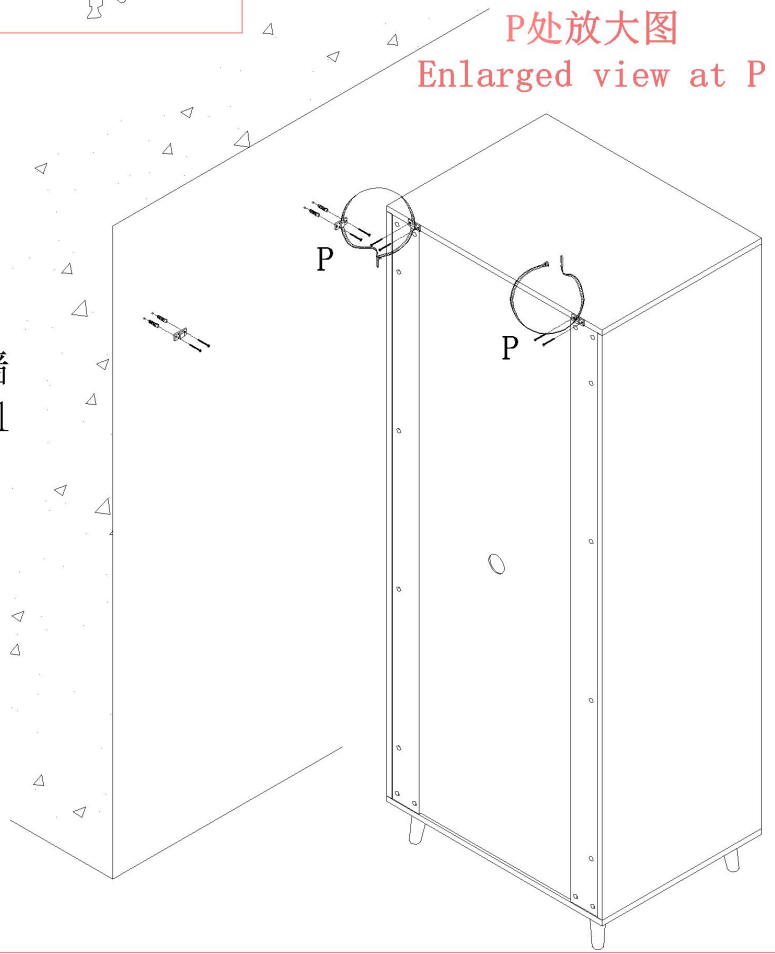
安装示意图/Assembly Instruction

产品名称 Model NO.	Anti-fall device
产品规格 Specification	-
安装工具 Tool	安装人数 Installer



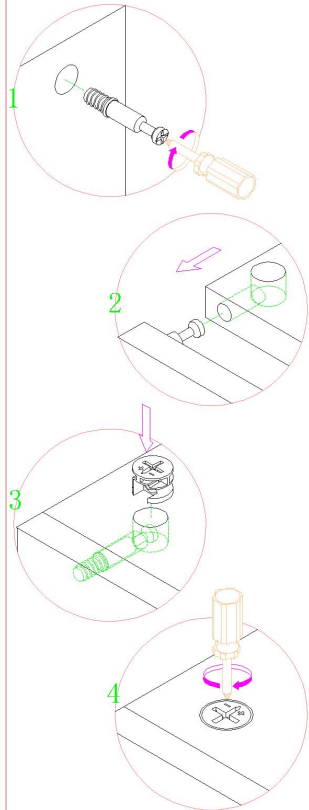
P处放大图
Enlarged view at P

实体墙
Solid wall

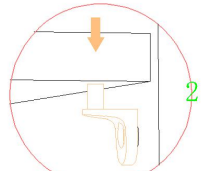
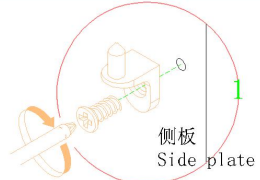


JC19D-A1 (0.8m)

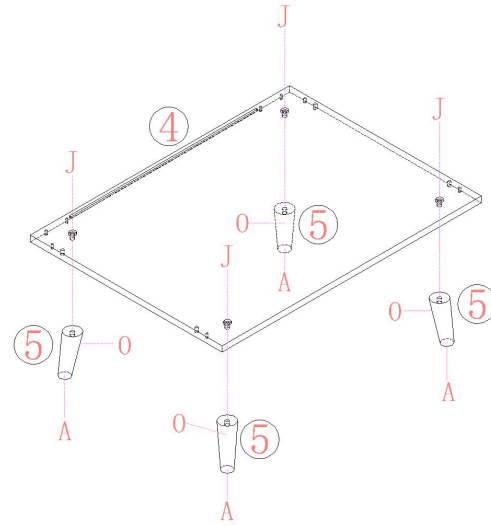
安装方法/
Installation method



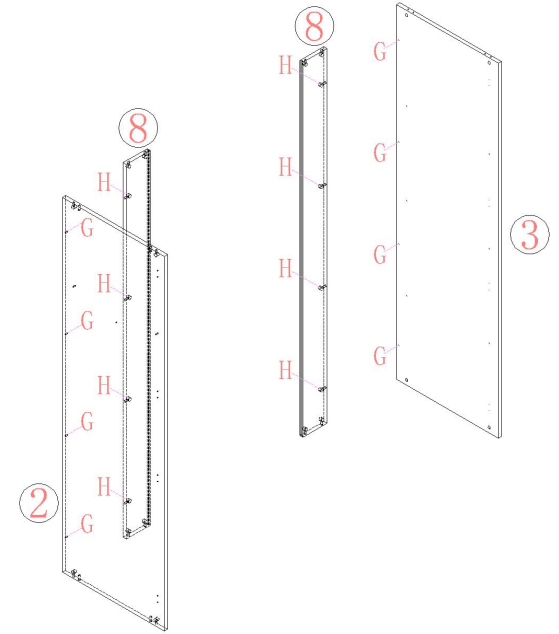
大二合一
two-in-one



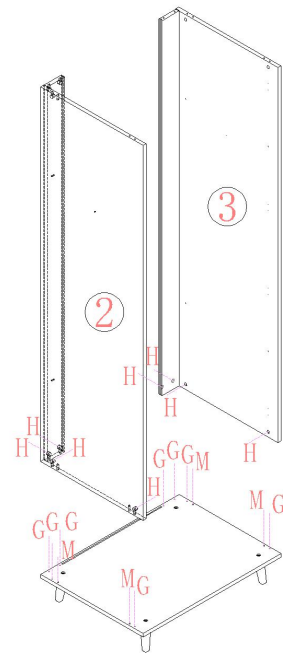
层板托5mm
shelf support



1

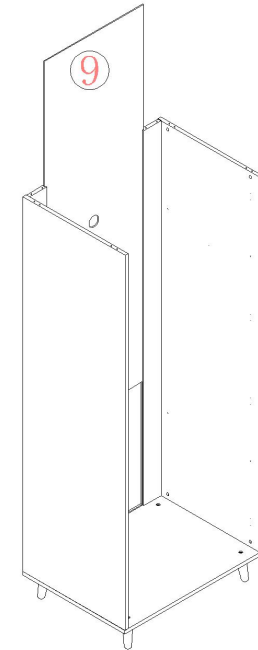


2



3

4

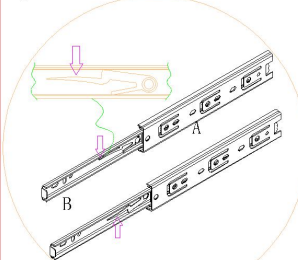


JC19D-A1 (0.8m)

安装方法/
Installation method

阀门开关(下压为开)
Valve switch
(press down to open)

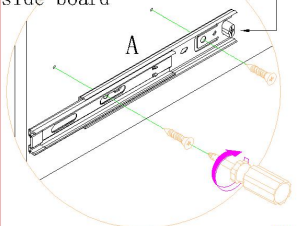
1



注: 先将A与B拆下来
Note: remove a and B first

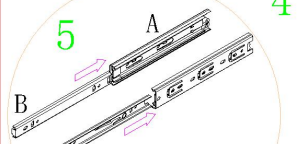
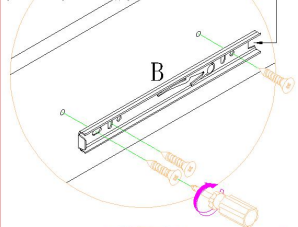
侧板
side board

2



抽屉侧板
sideboard
of the drawer

3



注: 将B对准A后推进去
Note: align B with a
and push it in

三节滚珠导轨
three-section ball rail



(G)*8



(H)*8



(M)*4



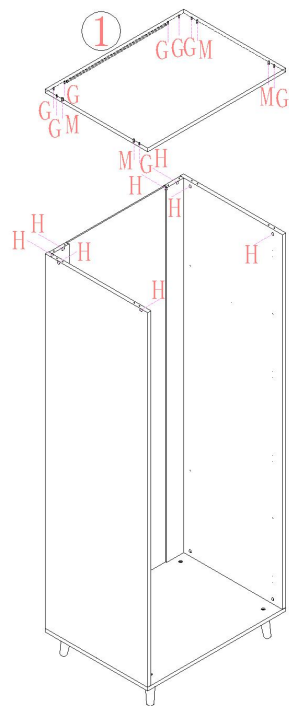
(D)*2



(K)*4



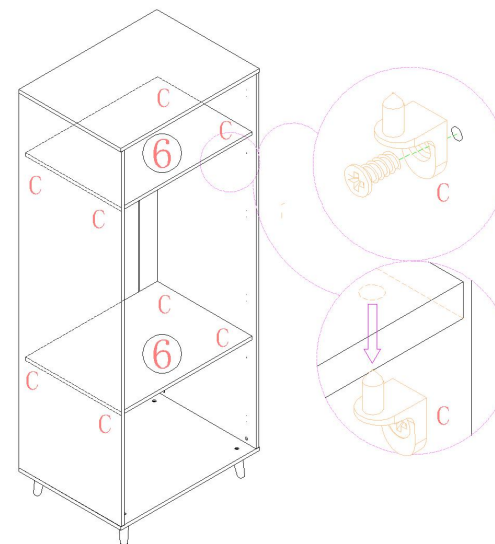
(N)*1



5



(C)*8



6

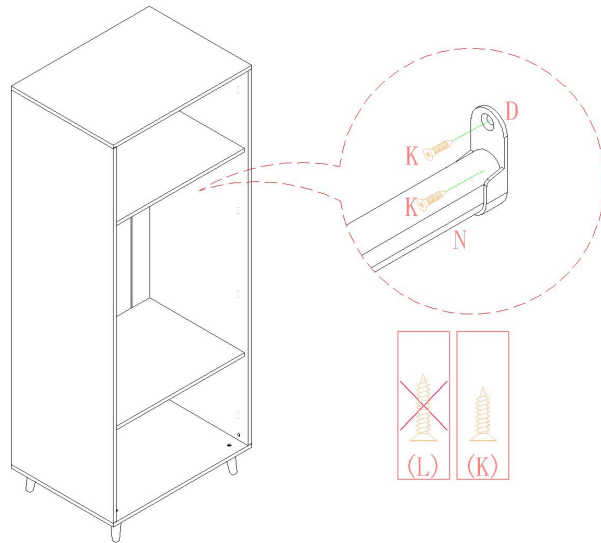
7



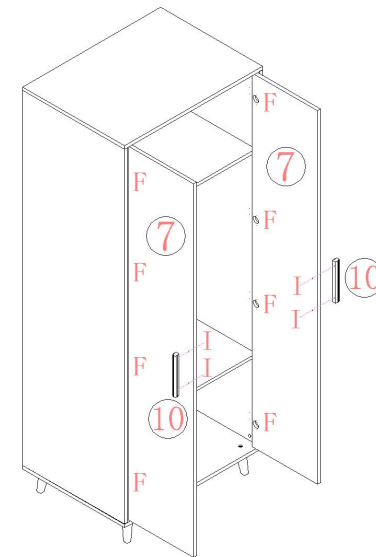
(F)*8



(I)*4

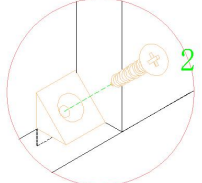
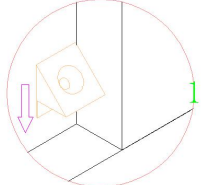


8

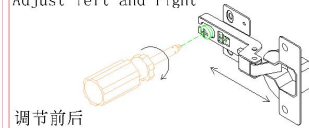
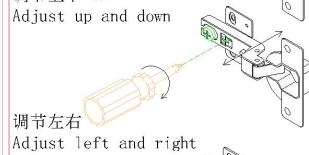
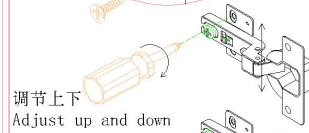
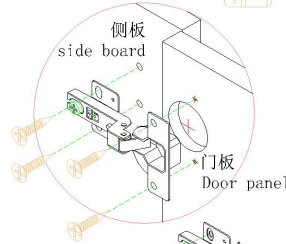
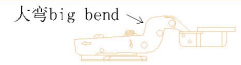


JC19D-A1 (0.8m)

安装方法/
Installation method



背板扣
Back Plate Buckle-White



门铰
Hinge



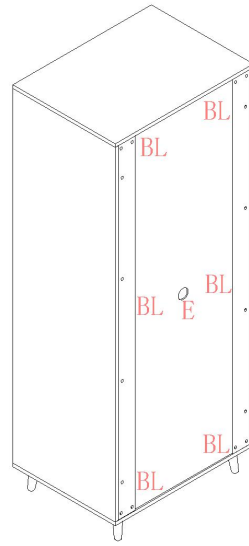
(B)*6



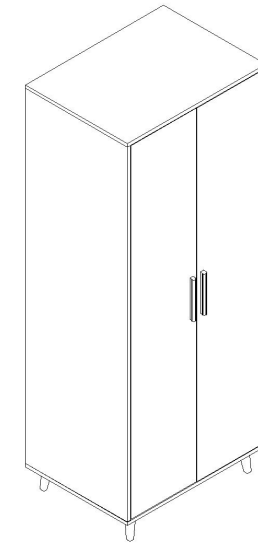
(L)*6



(E)*1



9



10

11

12