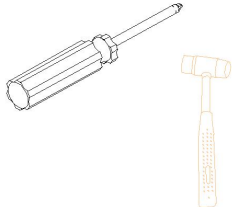
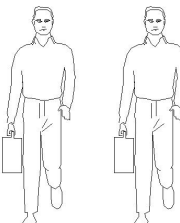


LINSY 林氏家居

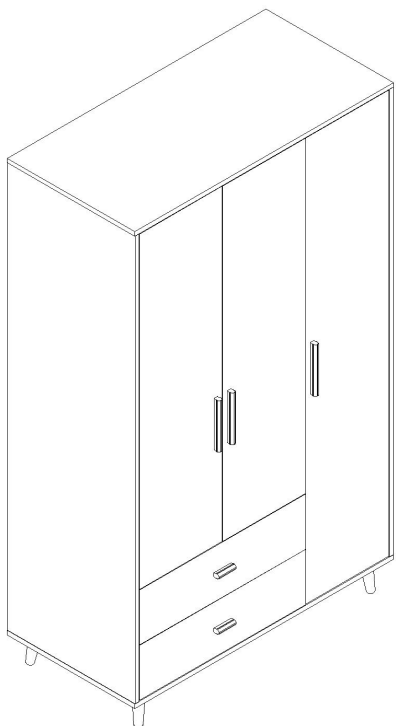
五金表/Hardware list









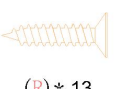
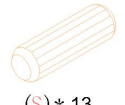




部件表/Parts List

安装示意图/Assembly Instruction

| | |
|---|---|
| 产品名称 Model NO. | JC21D-A1 (1.2m) |
| 产品规格 Specification | 1205*617*2049mm |
| 安装工具 Tool | 安装人数 Installer |
|  |  |

注：为保证设计效果，部分尺寸为定制尺寸，不影响使用。



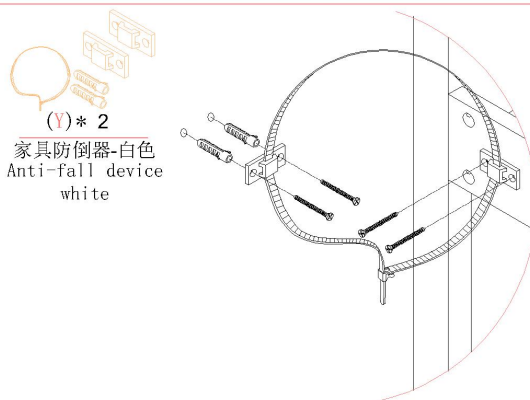
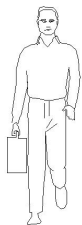
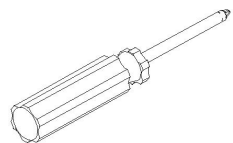
| | | | |
|--|--|--|--|
|  (A)* 4 透明防滑PVC胶塞 PVC rubber plug |  (B)* 13 背板扣 Back Plate Buckle-White |  (C)* 20 层板托 shelf support |  (D)* 2 挂衣托 Clothes hanger |
|  (E)* 2 过山丝-M7x38mm Self-tapping screw galvanized |  (F)* 2 透气孔盖-白色 Vent cover - white |  (G)* 7 缓冲门铰大弯-Ø35 Hinge-big bends |  (H)* 3 缓冲门铰中弯-Ø35 Hinge-middle bending |
|  (I)* 34 二合一螺杆(35mm) 2-in-1-screw |  (J)* 34 大三合一锁饼 Three-in-one large lock |  (K)* 13 小三合一锁饼 small three-in-one lock |  (L)* 13 小二合一杆7*28 small two-in-one rod |
|  (M)* 11 拉手螺丝-M4x30mm pulling screw |  (N)* 1 斜边十字螺杆-M8x35 bevel cross screw |  (O)* 13 塑料螺母 Plastic Nut |  (P)* 13 自攻螺丝M4x40mm Self-tapping screw |
|  (Q)* 29 自攻螺丝M3.5x12mm Self-tapping screw |  (R)* 13 自攻螺丝M3.5x16mm Self-tapping screw |  (S)* 13 木榫Ø8x30mm wood tenon |  (T)* 1 调节五金脚-M8x30 Adjusting foot |
|  (U)* 1 挂衣杆-L=758mm Clothes hanger |  (V)* 2 三节滚珠导轨-14" three-section ball rail |  (W)* 4 斜边十字螺杆-M8x55 bevel cross screw |  (X)* 4 螺母-(M8*15mm) Hammer nut |
|  (Y)* 2 家具防倒器-白色 Anti-fall device white | | | |

| 编号NO. | 名称Name | 规格 (mm) Specification | 数量QTY | 材质Material |
|-------|-------------------------------|--------------------------|-------|-------------|
| ① | 顶板 Top board | 1205*594*18 | 1 | 三胺板Melamine |
| ② | 左侧板 Side board(L) | 1888*594*18 | 1 | 三胺板Melamine |
| ③ | 右侧板 Side board(R) | 1888*594*18 | 1 | 三胺板Melamine |
| ④ | 中侧板 Middle side board | 1888*554*18 | 1 | 三胺板Melamine |
| ⑤ | 底板 Bottom board | 1205*594*18 | 1 | 三胺板Melamine |
| ⑥ | 脚 Foot | 130*46*46 | 4 | 实木Wood |
| ⑦ | 中脚 Middle foot | 106*30*30 | 1 | 实木Wood |
| ⑧ | 左活动层板 Movable shelf(L) | 765*552*18 | 2 | 三胺板Melamine |
| ⑨ | 右活动层板 Movable shelf(R) | 382*552*18 | 3 | 三胺板Melamine |
| ⑩ | 左门板 Door board(L) | 1434*386*18 | 1 | 三胺板Melamine |
| ⑪ | 中门板 Middle door board | 1434*386*18 | 1 | 三胺板Melamine |
| ⑫ | 右门板 Door board(R) | 1882*386*18 | 1 | 三胺板Melamine |
| ⑬ | 边背拉条 Side back brace | 1888*140*15 | 2 | 三胺板Melamine |
| ⑭ | 背拉条 Back brace | 1888*140*15 | 1 | 三胺板Melamine |
| ⑮ | 大背板 Big backboard | 1898*575*5 | 1 | 三胺板Melamine |
| ⑯ | 小背板 Small sack board | 1898*192*5 | 1 | 三胺板Melamine |
| ⑰ | 抽屉面板 Drawer's top panel | 774*222*18 | 2 | 三胺板Melamine |
| ⑱ | 抽屉左侧板 Drawer's side board(L) | 395*142*12 | 2 | 三胺板Melamine |
| ⑲ | 抽屉右侧板 Drawer's side board(R) | 395*142*12 | 2 | 三胺板Melamine |
| ⑳ | 抽屉后板 Drawer's Back board | 716*142*12 | 2 | 三胺板Melamine |
| ㉑ | 抽屉底托条 Drawer's bottom bracket | 381*58*12 | 2 | 三胺板Melamine |
| ㉒ | 抽屉底板 Drawer's Bottom board | 726*391*5 | 2 | 三胺板Melamine |
| ㉓ | 长拉手 Long handle | 208*25*20 | 3 | 实木Wood |
| ㉔ | 短拉手 Short handle | 80*25*20 | 2 | 实木Wood |

LINSY 林氏家居

安装示意图/Assembly Instruction

| | |
|--------------------|------------------|
| 产品名称 Model NO. | Anti-fall device |
| 产品规格 Specification | - |
| 安装工具 Tool | 安装人数 Installer |

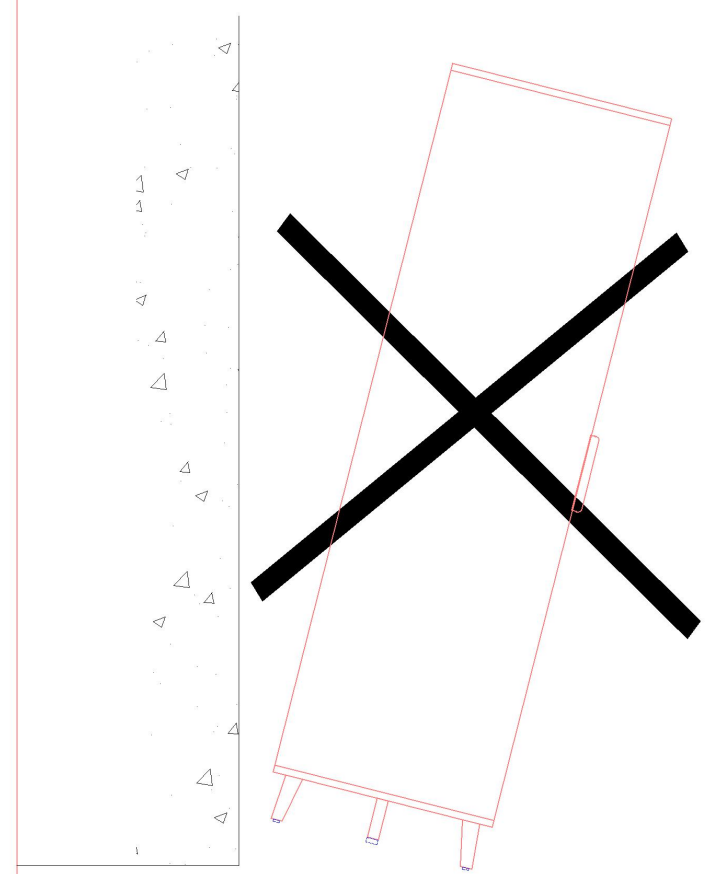
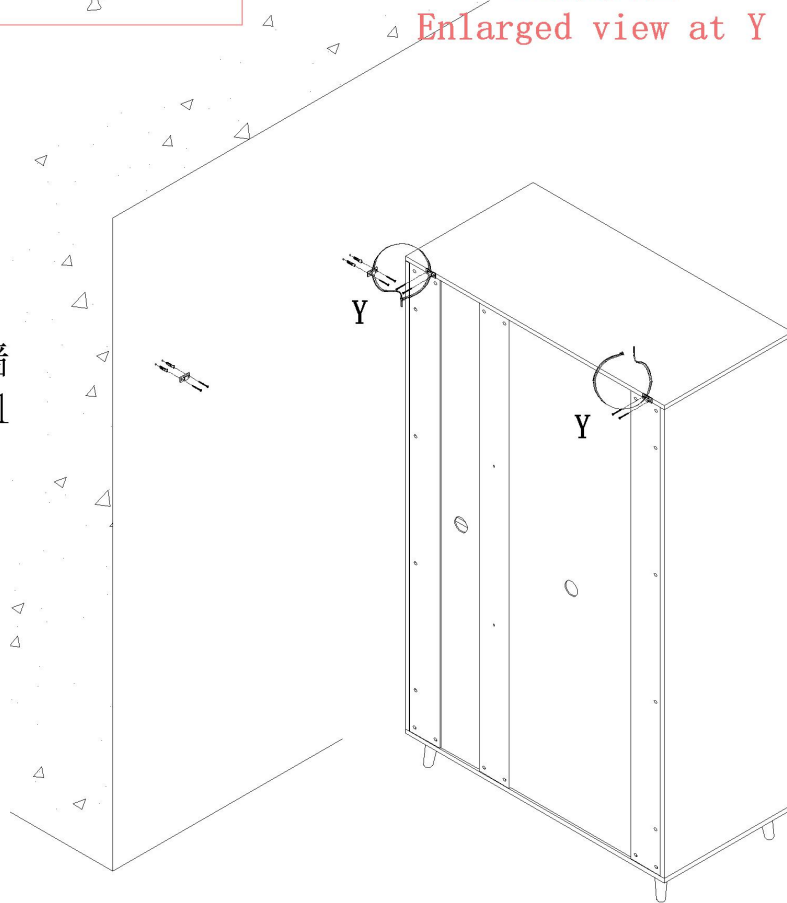


(Y)* 2
家具防倒器-白色
Anti-fall device
white

Y处放大图

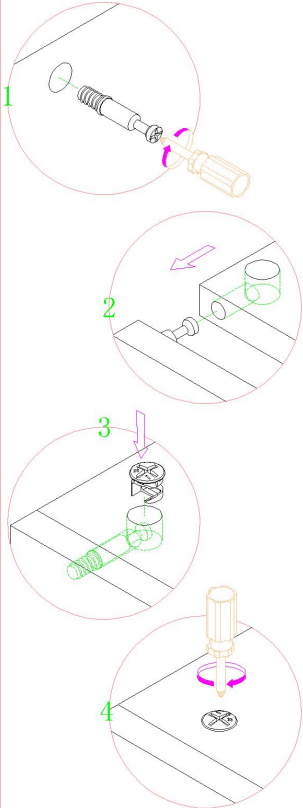
Enlarged view at Y

实体墙
Solid wall

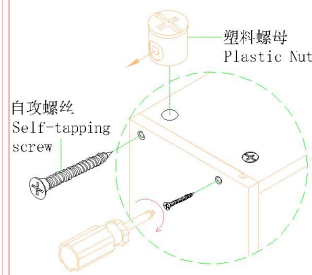


JC21D-A1 (1.2m)

安装方法/
Installation method



小二合一
small two-in-one



塑料螺母
Plastic Nut



(K)*12



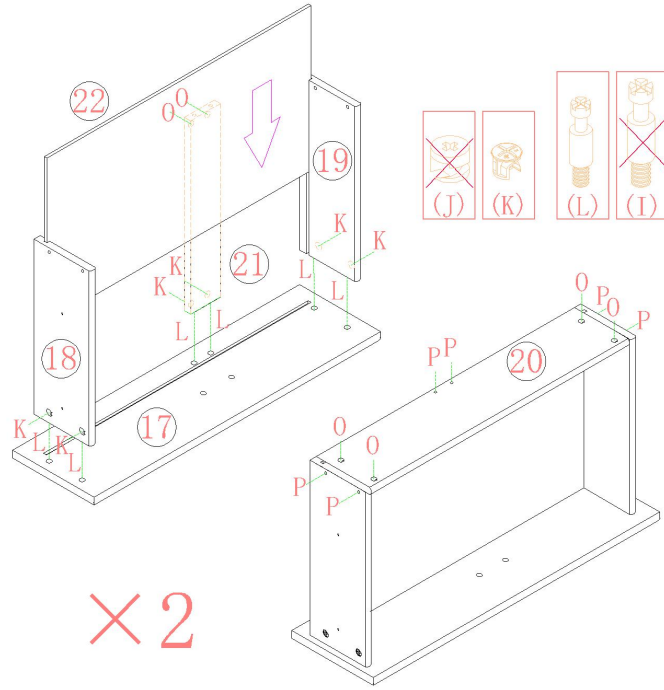
(L)*12



(O)*12



(P)*12



×2



(A)*4



(N)*1



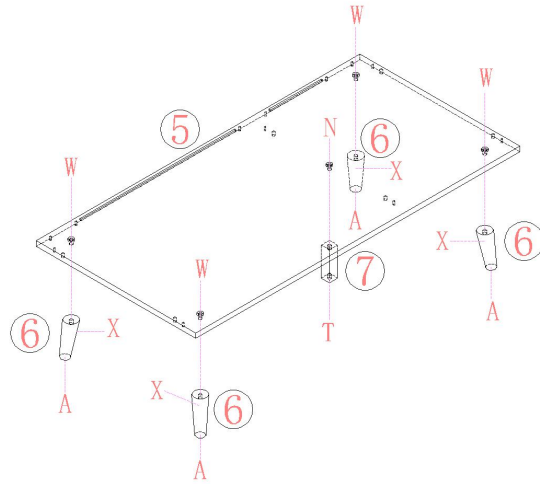
(T)*1



(W)*4



(X)*4



1



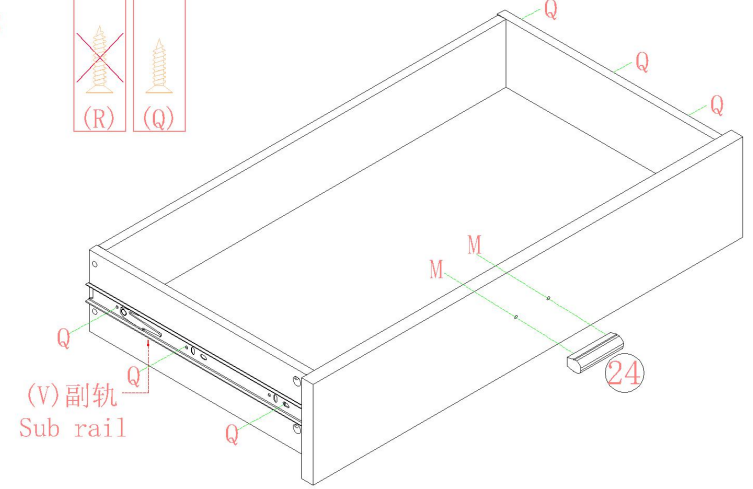
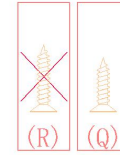
(M)*4



(Q)*12



(V)*2



(V) 副轨
Sub rail

2

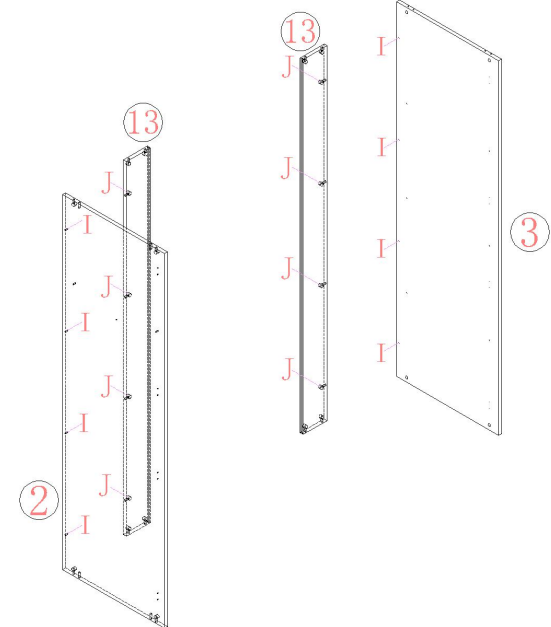
3



(I)*8



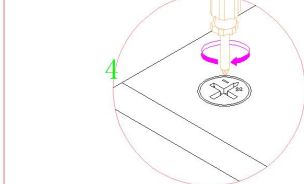
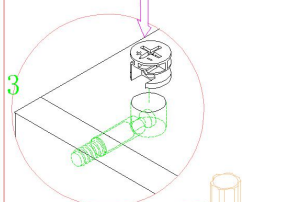
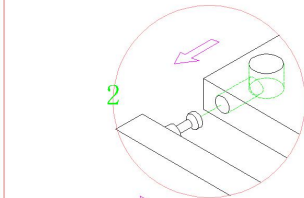
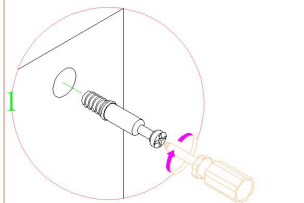
(J)*8



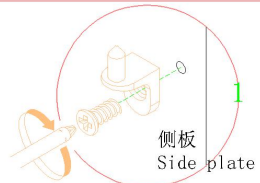
4

JC21D-A1 (1.2m)

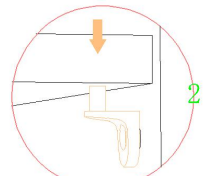
安装方法/
Installation method



大二合一
two-in-one

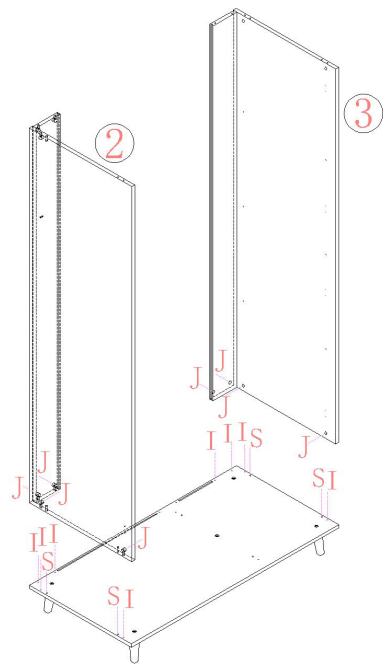


侧板
Side plate

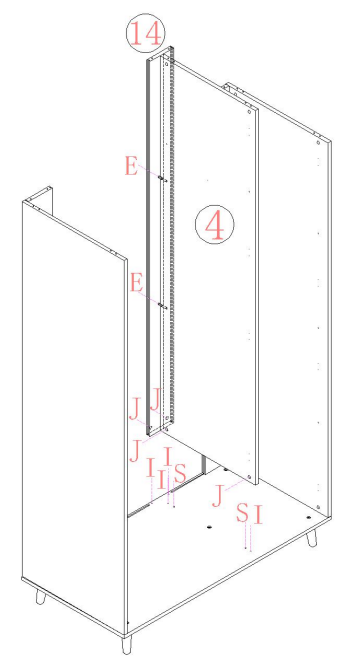


层板托5mm
shelf support

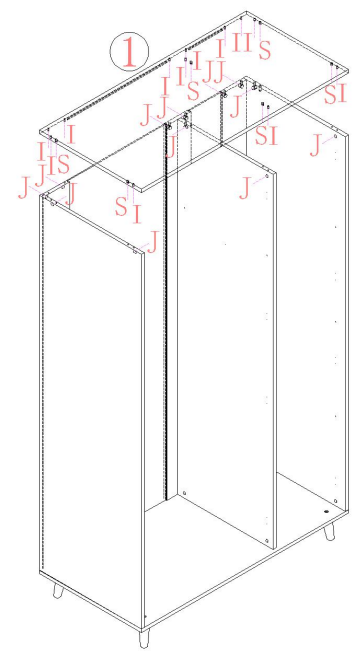
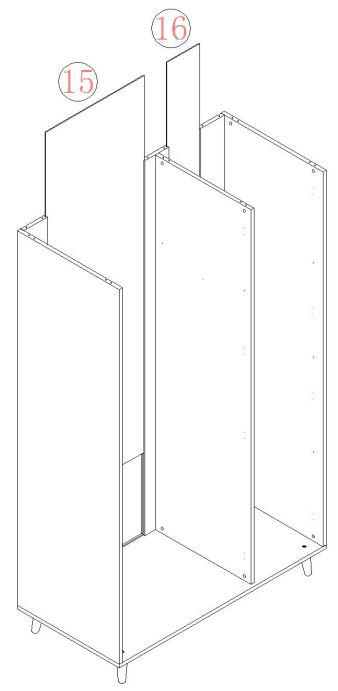
- (I)*8
- (J)*8
- (S)*4



- (I)*4
- (J)*4
- (E)*2
- (S)*2



- (I)*12
- (J)*12
- (S)*6



6

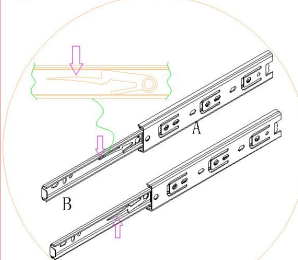
8

JC21D-A1 (1.2m)

安装方法/ Installation method

阀门开关(下压为开)
Valve switch
(press down to open)

1

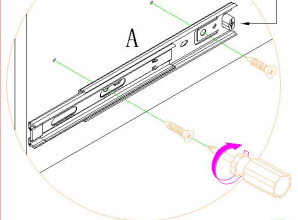


注: 先将A与B拆下来
Note: remove a and B first

侧板
side board

后after

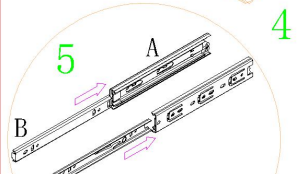
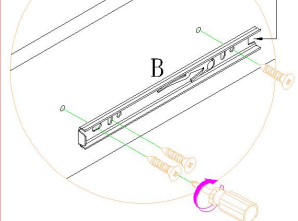
2



抽屉侧板
sideboard
of the drawer

后after

3

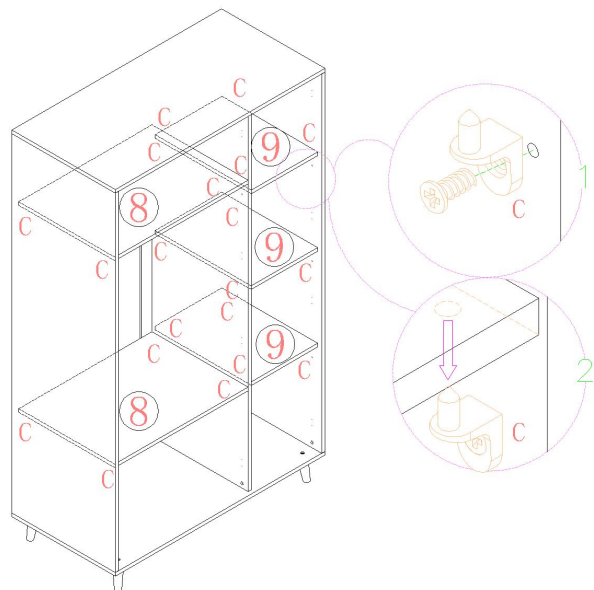


注: 将B对准A后推进去
Note: align B with a
and push it in

三节滚珠导轨
three-section ball rail



(C)*20



9



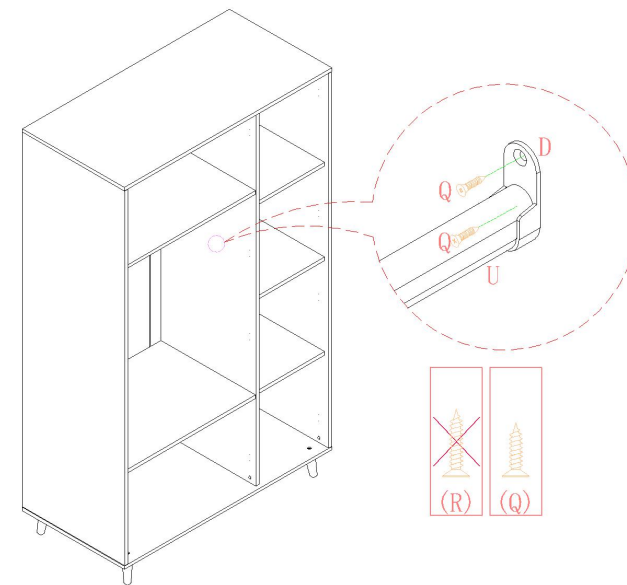
(D)*2



(Q)*4

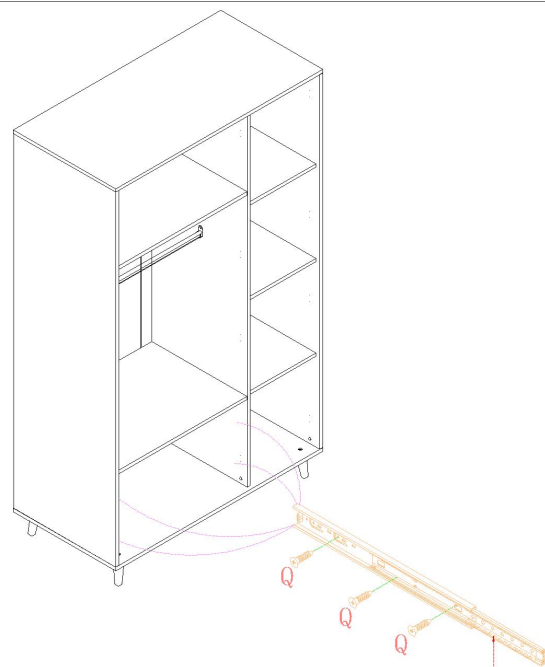


(U)*1



10

11

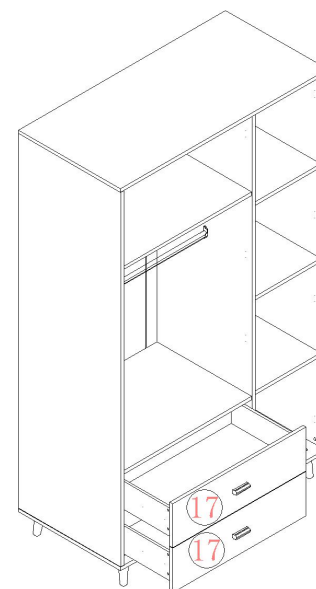


(V) 正轨
Main rail

(Q)*12

(V)*2

12



JC21D-A1 (1.2m)

安装方法/
Installation method

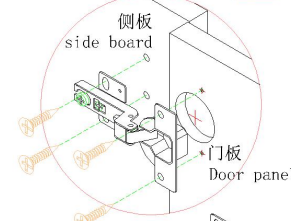
大弯big bend



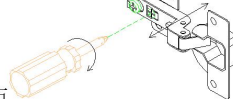
中弯middle bending



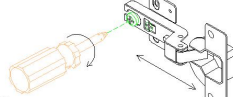
直弯straight bending



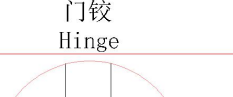
调节上下
Adjust up and down



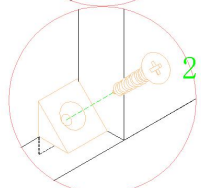
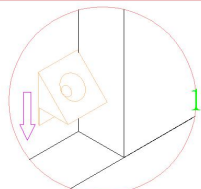
调节左右
Adjust left and right



调节前后
Before and after adjustment



门铰
Hinge



背板扣

Back Plate Buckle-White



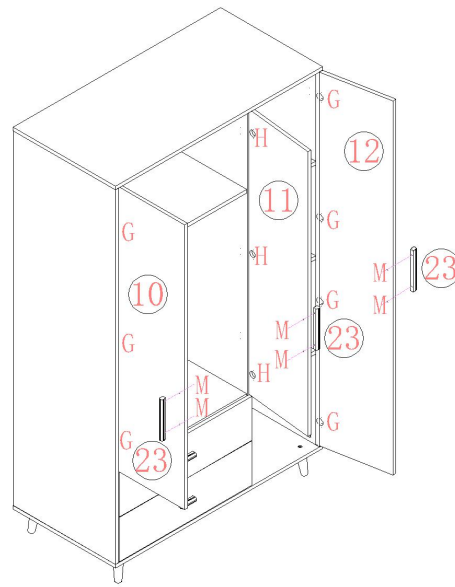
(G)*7



(H)*3



(M)*6



13



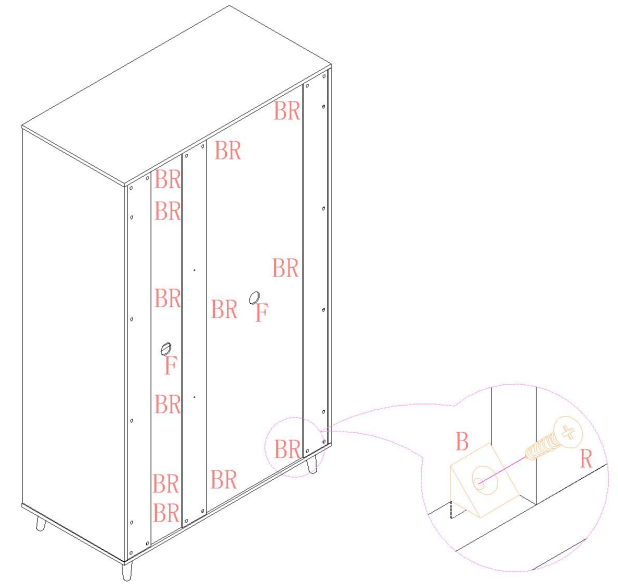
(B)*12



(R)*12

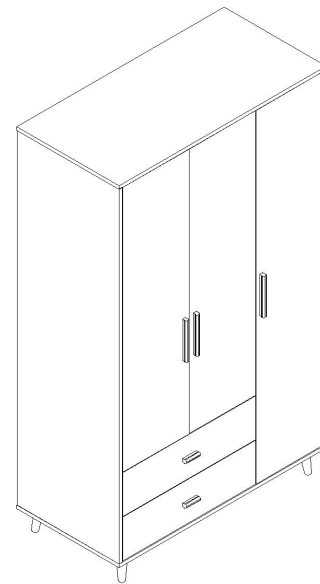


(F)*2



14

15



16