








Instruction Manual

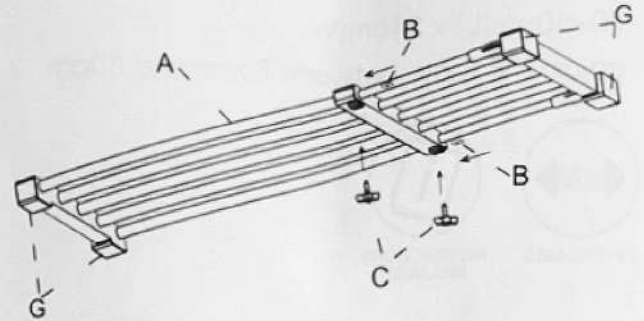
ADJUSTABLE SHELF

K:43-098-958 | T:68-718-404

CARE INSTRUCTION: WIPE CLEAN WITH A SOFT OR DAMP CLOTH
 MAXIMUM SAFE LOAD: 7 KGS

Hardware list

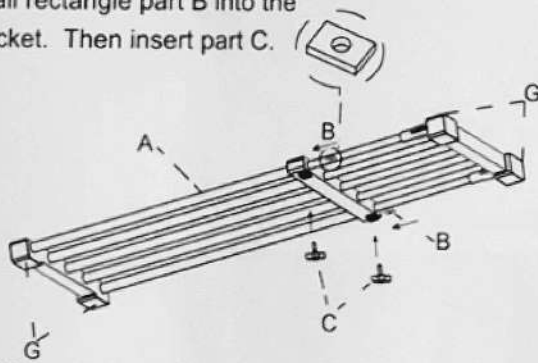
			
A	1PC	B	2PCS
			
C	M4*16MM 2PCS	D	1PC
			
E	6PCS	F	6PCS
		G	4PCS



This product can only be installed between 2 parallel surfaces. Place the shelf between the 2 parallel surfaces to be installed, stretch it until both ends of the shelf just touch the 2 parallel surfaces, and then fix the coarse adjustment nut in the middle of the shelf. Then adjust the knob at the right end of the shelf to squeeze the silicone pads at both ends of the shelf.

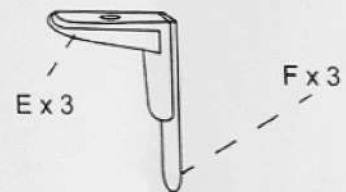
STEP 1

Insert small rectangle part B into the plastic pocket. Then insert part C.



Install the non-slip pads (part G)

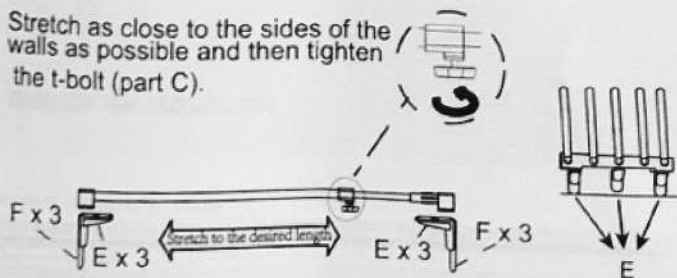
STEP 2



Attach part F (Let stand for 24 hours before using) to the surface on part E that has no holes

STEP 3

Stretch as close to the sides of the walls as possible and then tighten the t-bolt (part C).



Install the shelf in a level position. After the shelf is fixed to the walls, use 6 stickers(part E) to provide full support for the shelf.

STEP 4

Reminder: please do not use this product until 24 hours after installation.



Keep the thinner tube still and turn the KNOB clockwise to make it firm

STEP 5

If you want to remove part E, pinch the part F and pull it down vertically.

