

IEP Series Pizza Oven

User Manuals

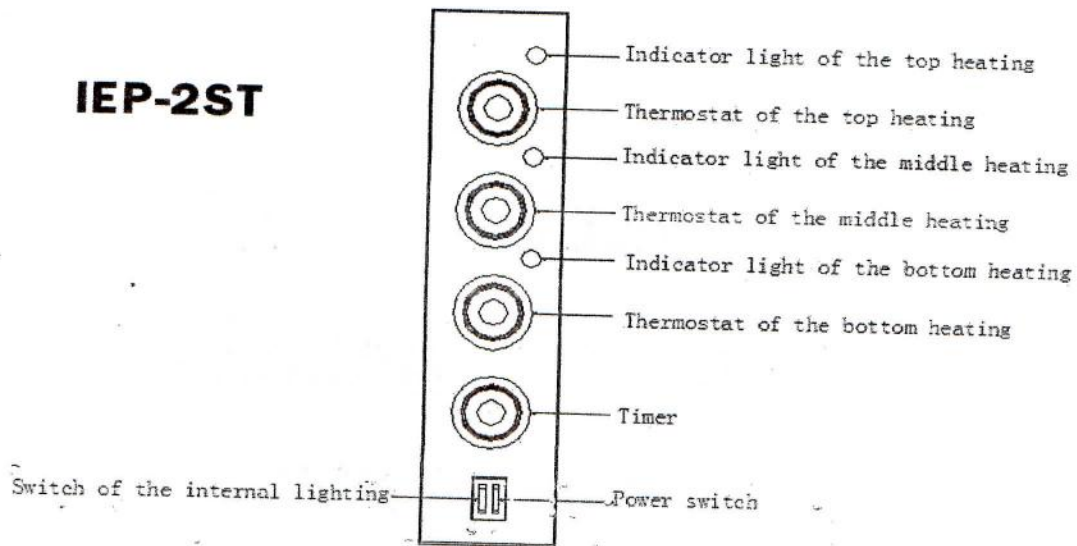
Model: **IEP2ST**

Thanks for your using of our company product, in order to ensure the product performance give full play to the role, please have a read of this manual to avoid unnecessary loss and damage, and get a further study of our product characteristic, installation and operation. Also please keep the manual for further reference.

Index

- I. Control board operation instruction
- II. Functions
- III. Machine illustration diagram
- IV. Parts list
- V. Installation instruction
- VI. Operation instruction
- VII. Warning
- VIII. Maintenance
- IX. Trouble shooting
- X. Specification
- XI. Wiring diagrams

I. Control board operating instruction



1. Operating instruction of the HEP-2ST control board.
 - 1.1 The left switch is for controlling the internal lighting.
 - 1.2 The right switch is for controlling all the heating elements, turn it on, then the thermostats can be used. The indicator lights turn off when the heating elements reach the set temperature. **(If the power switch is "On", the timer would be out of function. If you need to use the timing function, please first turn off the power switch, by now, the timer is also act as "power switch".)**
 - 1.3 These three thermostats are separately control the top、middle and bottom heating elements and their indicator lights.

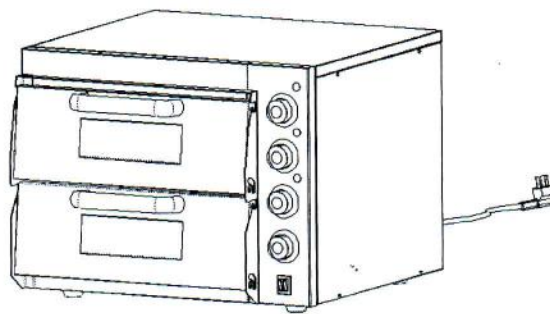
II. Functions

1. Functions
 - 1.1 Heating up quickly. This oven is equipped with 350 °C thermostat, greatly save the cooking time.
 - 1.2 Equipped with baking stone, which makes the food are heated more evenly.
 - 1.3 Two thermostats separately control the top and bottom heating elements, you can freely adjust the temperature of each heating element.
2. Application
 - 2.1 Applicable for baking all the fresh and freeze bread and flour products.
 - 2.2 Applicable for baking fresh and freeze meat.

III. Machine illustration diagram

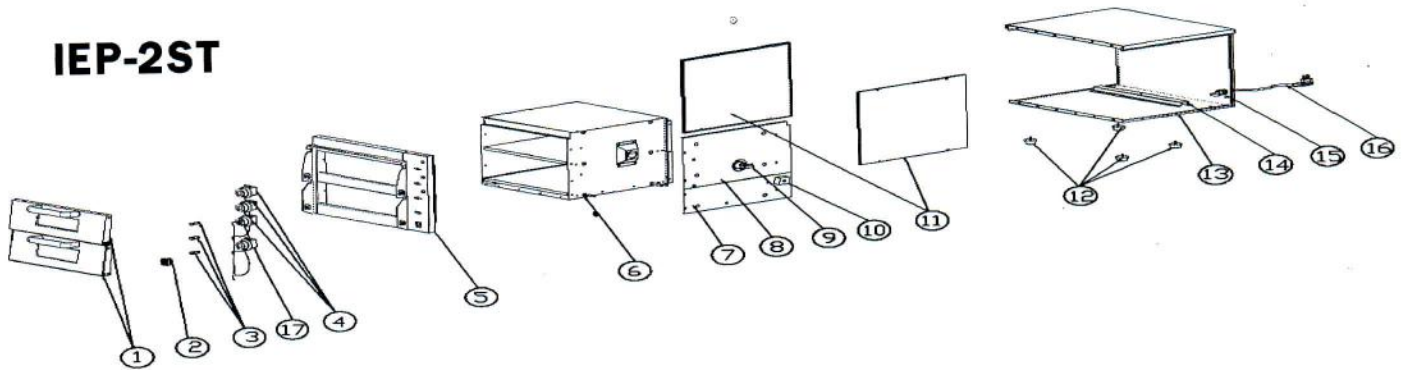
Appearance:

IEP-2ST

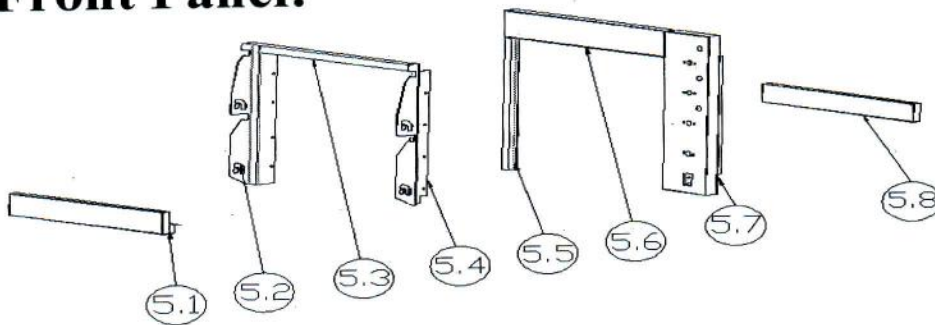


Case:

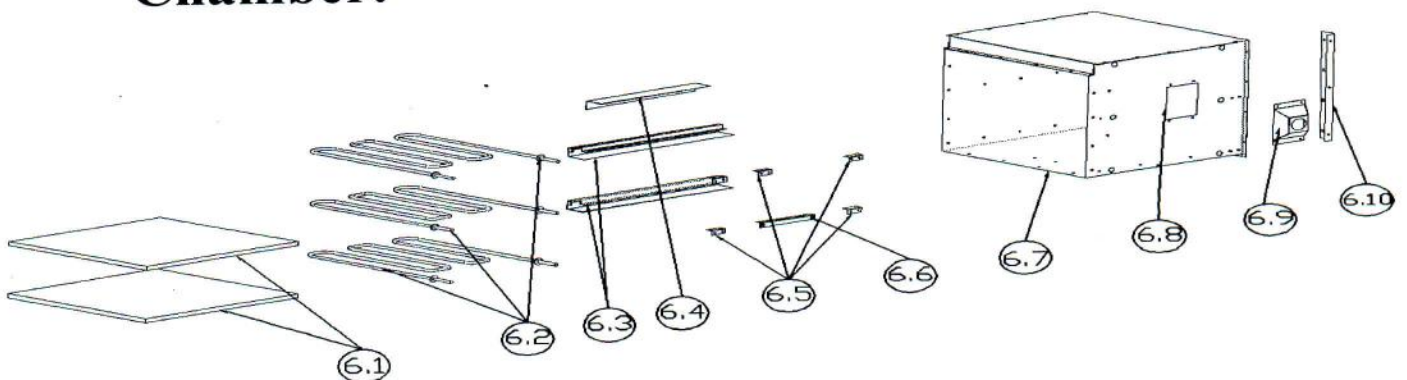
IEP-2ST



Front Panel:



Chamber:



IV. Parts list

IEP-2ST

No.	Part No.	Description	QTY
1	EP2T-001	Door	2
2	EP2T-002	Double row switch	1
3	EP2T-003	Indicator light	3
4	EP2T-004	Thermostat	3
5	EP2T-005	Front frame	1
5.1	EP2T-005-001	Bottom rail	1
5.2	EP2T-005-002	Left clevis	1
5.3	EP2T-005-003	Top clevis	1
5.4	EP2T-005-004	Right clevis	1
5.5	EP2T-005-005	Left vertical board	1
5.6	EP2T-005-006	Top rail	1
5.7	EP2T-005-007	Machine control board	1
5.8	EP2-005-008	Middle rail	1
6	EP2T-006	Chamber	1
6.1	EP2T-006-001	Baking stone	1
6.2	EP2T-006-002	Heating element	3
6.3	EP2T-006-003	Left layer board	1
6.4	EP2T-006-004	Up strip for the heating element	1
6.5	EP2T-006-005	Right layer board 1	2
6.6	EP2T-006-006	Right layer board 2	1
6.7	EP2T-006-007	Main panel of the chamber	1
6.8	EP2T-006-008	Cover board of the chamber	1
6.9	EP2T-006-009	Fixed plate for the pyrocotton	1
6.10	EP2T-006-010	Lamp shade	1
7	EP2T-007	Bottom fixed plate for the pyrocotton	1
8	EP2T-008	Top fixed plate for the pyrocotton	1
9	EP1T-009	Durothermic lamp	1
10	EP2T-010	Binding post	1
11	EP2T-011	Side board	2
12	EP2T-012	Rubber feet	4
13	EP2T-013	Shell	1
14	EP2T-014	Layer board for the chamber	1
15	EP2T-015	PG13.5 cable gland	1
16	EP2T-016	Cable	1
17	EP2T-017	Timer	1

V. Installation instruction

1. All the electrical power unit and circuit connection must be installed by qualified electrician with safety standard.
2. Connection must be based on requirements.
3. Make sure the rubber feet have been installed securely.
4. Product should be place in a well ventilated place on solid platform, and we suggest to least at least 10cm space between the product and the wall or barriers. Also place the product away from combustible materials, and there should be a fire extinguisher equipped around.
5. Remove the packaging film off the surface.
6. The power wire should be connected according to safety standards. Make sure the voltage and frequency conform to the parameters. And please install a double pole switch before connection. When the voltage working, the voltage error should be under $\pm 10\%$.

(Product must be connected to ground.)

7. Connect the cable to the power supply fixed by using a screwdriver according to the connection diagram, then loosen the screw inside the power point, and plug in the cable, make sure the sheet copper compress the power line tightly. If the connection is incorrect, it may cause joint heating and burning off the power cord.

VI. Operation instruction

1. Turn on the power supply.
 - 1.1 The temperature of the oven can be adjusted between 0~350°C.
 - 1.2 Turn the timer clockwise to the desired time, then the indicator light on and the heating element starts working, when it reaches the set temperature, the indicator light off. If the temperature is below the set temperature, the heating element will be automatically reheated and the indicator light on.
 - 1.3 The internal lighting can help monitoring the baking process.
 - 1.4 Cooking time depends on the amount of the food, the more the food had, the longer the time required.
 - 1.5 Please turn off the power if not using.

VII. Warning

1. If you want to clean, repair or move the machine, please pull out the plug first.
2. Please don't touch the switch or plug with wet hand.
3. The machine can't be flushed directly, and please be careful don't let any water flow into the switch when cleaning.
4. Keep the children from touching or using the machine.
5. The ground wire must be connected, all the connection must be reinstated after maintenance.

VIII. Maintenance

1. Please pull out the plug first before maintenance, and clean it after cooling down the chamber.
2. For daily cleaning, you can use a dry cloth to wipe off the grease on the chamber, don't flush the chamber with water directly. For cleaning the baking stone, please take out the baking stone, use a fur brush to clean its surface, and rinse it with water then dry it. **(Don't use any cleanser to clean the baking stone, because the baking stone can strongly absorb the water, so that the cleanser would be absorbed at the same time, which may affect the flavor of the food.)**
3. We suggest to maintain the machine by qualified electrician once in a month.

IX. Trouble shooting

Stoppage	Solution
Not heating up	<ol style="list-style-type: none">1. Please check whether the connection is loose.2. Rotate the thermostat to your needed temperature.3. Please check whether the power switch is match up with the parameters4. Contact the service center for repair suggestion.
Short circuit	Contact the service center for repair suggestion
Internal light Not work	<ol style="list-style-type: none">1. Pull out the plug, and cool down the chamber.2. Replace a new bulb.
Scorching smell appear	Contact the service center to check whether the connection is short out.
Baking unevenly	Readjust the thermostats for each heating elements to see how they work, If they work well, please contact the service center to check if the Heating element need to change.

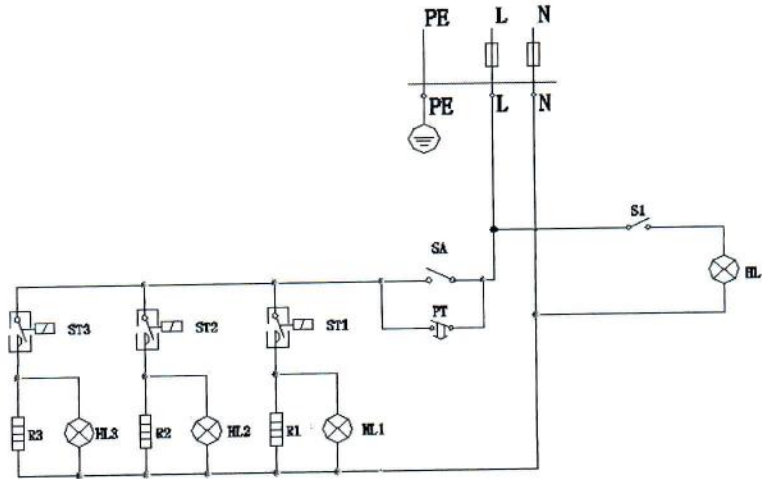
X. Specification

Model	Temperature range	Dimension(mm)	Internal dimension(mm)	Voltage(V)	Power(KW)
IEP2ST	0~350 °C	600X580X445	415X400X120X2PCS	220-240V	3

XI. Wiring diagrams

IEP-2ST

220-240V ~/50HZ



ST1 ST2 ST3 -Thermostat
SA -Power Switch

HL1 HL2 HL3-Indicator light
S1-Switch of the internal lighting

R1 R2 R3 -Heating element PT -Timer
HL -Internal lighting

