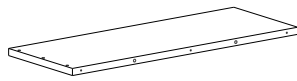


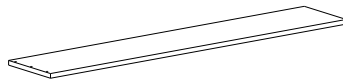
①

x1



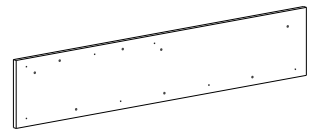
②

x1



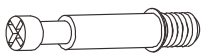
③

x1



④

x1



A

6x35mm

x2



B

15x9.5mm

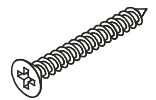
x2



C

6x30mm

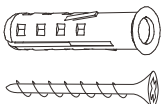
x9



D

4x40mm

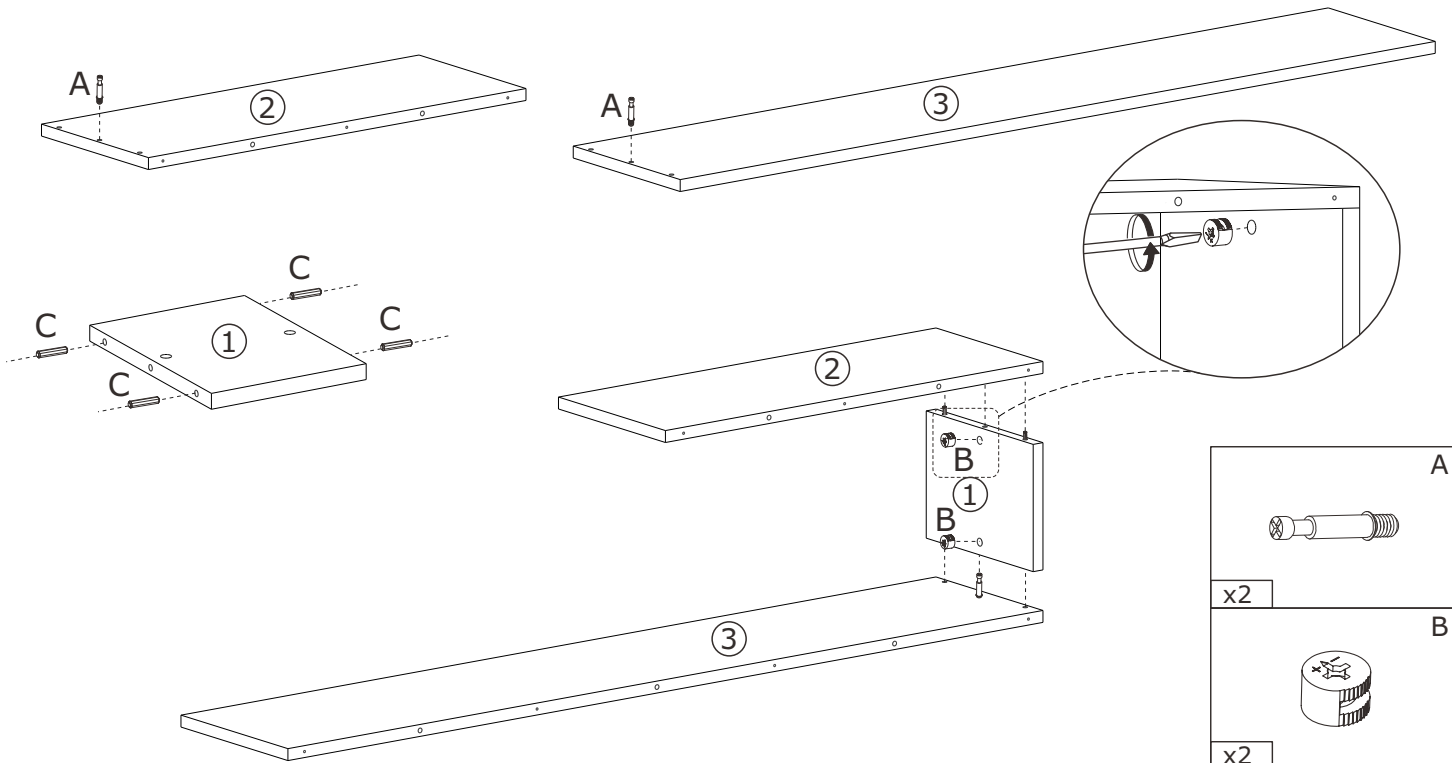
x7



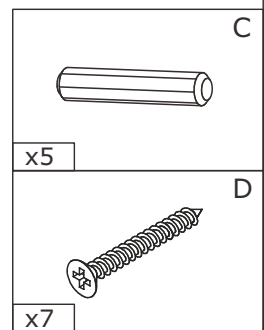
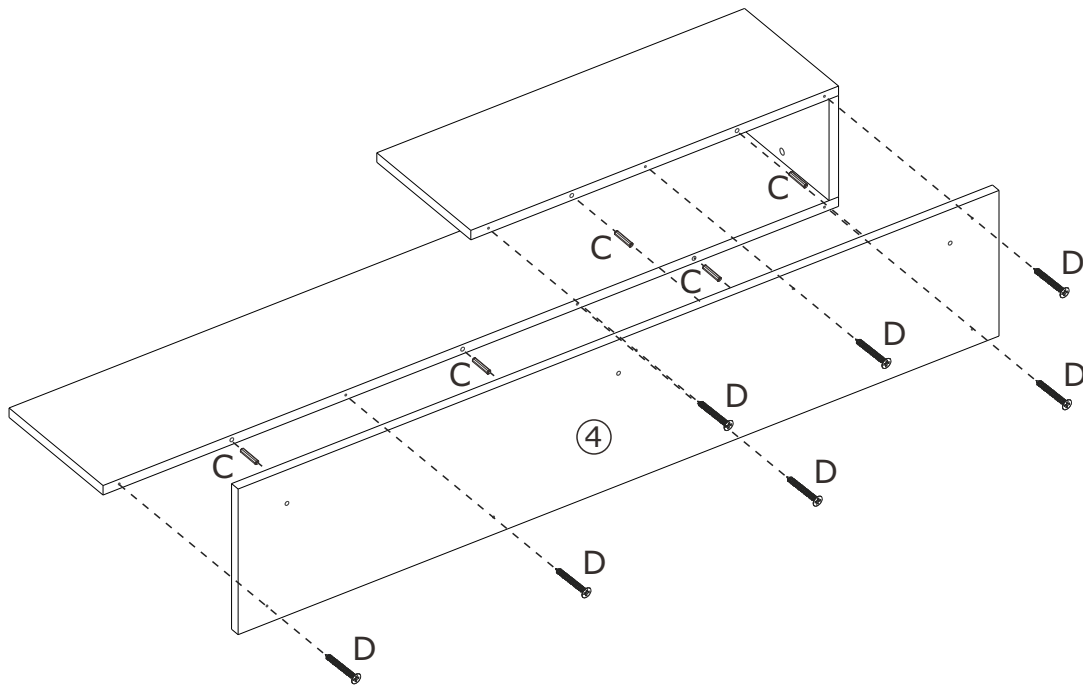
E

x3

1



2



3

