

TOASTER



USER MANUAL

MT-RW2L20W

This product is only suitable for well insulated spaces or occasional use.

Warning notices: Before using this product, please read this manual carefully and keep it for future reference. The design and specifications are subject to change without prior notice for product improvement.

Consult with your dealer or manufacturer for details.

The diagram above is just for reference. Please take the appearance of the actual product as the standard.

THANK YOU LETTER

Thank you for choosing Midea! Before using your new Midea product, please read this manual thoroughly to ensure that you know how to operate the features and functions that your new appliance offers in a safe way.

EN

CONTENTS

THANK YOU LETTER	01
SAFETY INSTRUCTIONS	02
SPECIFICATIONS	04
PRODUCT OVERVIEW	05
OPERATION INSTRUCTIONS	06
CLEANING AND MAINTENANCE	09
TROUBLESHOOTING	10
TRADEMARKS, COPYRIGHTS AND LEGAL STATEMENT	11
DISPOSAL AND RECYCLING	12
DATA PROTECTION NOTICE	13







SAFETY INSTRUCTIONS

EN

Intended Use

The following safety guidelines are intended to prevent unforeseen risks or damage from unsafe or incorrect operation of the appliance. Please check the packaging and appliance on arrival to make sure everything is intact to ensure safe operation. If you find any damage, please contact the retailer or dealer. Please note modifications or alterations to the appliance are not allowed for your safety concern. Unintended use may cause hazards and loss of warranty claims.

Explanation of Symbols

	Danger This symbol indicates that there are dangers to the life and health of persons due to extremely flammable gas.
	Warning of electrical voltage This symbol indicates that there is a danger to life and health of persons due to voltage.
	Warning The signal word indicates a hazard with a medium level of risk which, if not avoided, may result in death or serious injury.
	Caution The signal word indicates a hazard with a low degree of risk which, if not avoided, may result in minor or moderate injury.
	Attention The signal word indicates important information (e.g. damage to property), but not danger.
	Observe instructions This symbol indicates that a service technician should only operate and maintain this appliance in accordance with the operating instructions.

Read these operating instructions carefully and attentively before using/commissioning the unit and keep them in the immediate vicinity of the installation site or unit for later use!

SAVE THESE INSTRUCTIONS

HOUSEHOLD USE ONLY

When using electrical appliances, basic safety precautions should always be followed including the following:

EN

Warning

- If the supply cord is damaged, it must be replaced by the manufacturer, its service agent or similarly qualified persons in order to avoid a hazard.
- The appliance must not be immersed.
- Do not use outdoors.
- The appliance is intended to be used in household and similar applications such as:
 - staff kitchen areas in shop, offices and other working environments;
 - farm houses;
 - by clients in hotels, motels and other residential type environments;
 - bed and breakfast type environments.
- This appliance can be used by children aged from 8 years and above and persons with reduced physical, sensory or mental capabilities or lack of experience and knowledge if they have been given supervision or instruction concerning use of the appliance in a safe way and understand the hazards involved. Children shall not play with the appliance. Cleaning and user maintenance shall not be made by children unless they are other than 8 and supervised.
- Keep the appliance and its cord out of reach of children less than 8 years.
- The bread may burn, therefore do not use the toaster near or below combustible material, such as curtains.
- Appliances are not intended to be operated by means of an external timer or separate remote-control system.



The surface are liable to get hot during use.

SPECIFICATIONS

Product Model	MT-RW2L20W
Voltage	220-240V~
Frequency	50/60Hz
Power	800-950W

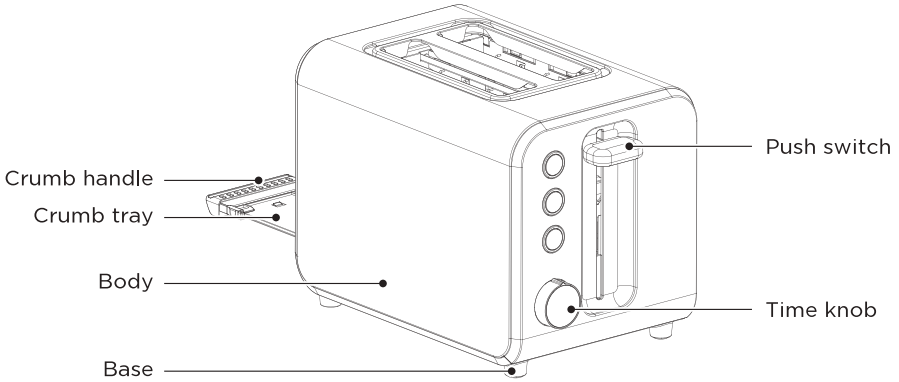
EN

PRODUCT OVERVIEW

Part Figure

- The picture below is for reference only.

EN



● NOTE

All the pictures in this manual are for explanation purpose only. Any discrepancy between the real object and the illustration in the drawing shall be subject to the real subject.

OPERATION INSTRUCTIONS

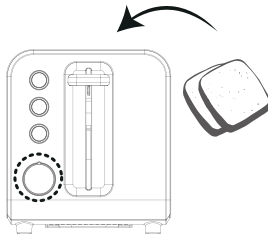
Instructions for Use

EN

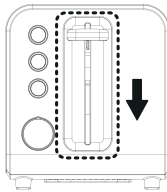
● Tip

- Adjust the time knob, which has 7 levels available; the larger the number, the more brown the bread surface is.
- After setting the browning degree of the bread, you can put the bread in the oven.
- Turn on the power and press the push switch to start baking.
- After baking, the bread will automatically pop up and the product will stop working.
- To continue baking, please repeat the above operations. If you don't need to continue baking, pull out the plug and store the product after it has cooled.

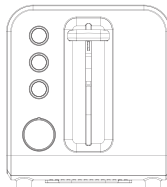
1 Adjust the time knob to select the browning degree of the bread, and then put in the bread.



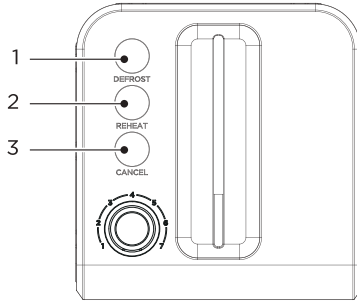
2 Turn on the power, and press the push switch to start baking.



3 After the baking is completed, the bread pops out automatically and the product stops working.



Function Description



EN

Level	1	2	3	4	5	6	7
Time	1 min 20 sec	1 min 40 sec	1 min 50 sec	2 min	2 min 20 sec	2 min 40 sec	3 min

	Button	Button description
1	DEFROST	<ul style="list-style-type: none"> Frozen bread, thawed before baking, tastes better. The working time is longer than normal baking time.
2	REHEAT	<ul style="list-style-type: none"> For the cooled bread, use this function button to restore the warm taste after baking. The working time is shorter than the normal baking.
3	CANCEL	<ul style="list-style-type: none"> Press this button, the bread will pop up automatically and the product will stop working.

Tip

- The above baking time is tested at room temperature 25°C and rated for 2 slices of bread. The actual time may be different.
- The size and thickness of the bread have an effect on the baking time.

Explanation of Symbols for The Function Keys

This Symbol is used to Cancel toasting.

Operation

- Only connect the appliance to a correctly installed safety plug (220-240V- 50/60Hz).
- Turn the selector switch clockwise to set the toasting level from the lightest stage 1 to the darkest stage 7. If in any doubt, start with the lower setting (the black mark on the selector switch shows you the setting).
- Insert sliced bread into the toasting slot and push down the lever until it locks.
- The appliance starts toasting. The appliance switches off immediately once the set degree of toasting has been reached. The toast then pops up automatically.
- The appliance has heat-insulated casing. However, as metal parts still heat up during operation, please allow cooling down before you put it away.
- The toaster only allowed 2 slices of the toaster to be toasted at a time.

EN

Guarantee

- We accept a guarantee period of 12months for the appliance we have sold from the date of purchase (receipt).

Important Safety Instructions

- During this period we will repair any defects in the appliance without charge, provided that these defects are due to material or manufacturing faults. Subject to our own decision, we will repair or replace the appliance. Guarantee services neither extend the guarantee period nor do they mark the start of a new guarantee period!
- The receipt of purchase is the proof of guarantee. Free exchange or repair is not possible without this receipt.
- In the event of a guarantee claim, please return the complete appliance in the original packaging together the receipt to your dealer.
- Defects in -accessories will not lead to a replacement of the entire appliance. Free replacement will be sent instead. Do not send back the appliance in these cases, but only reorder the defect accessory! Broken glass damage will always be subject to charges!
- Defects in wear parts (e.g. motor carbon, mixing hooks, driving belts, spare remote controls, spare toothbrushes, saw blades and such like) and cleaning, maintenance or the replacement of wear parts are not part of the guarantee services and are therefore subject to charge.
- The guarantee will be cancelled in the event of unauthorized tampering.

After The Guarantee

- Repairs can be carried out by licensed dealers or the repair services after the end of the guarantee period, but are subject to charge.

CLEANING AND MAINTENANCE

1. Before cleaning, please make sure that the power plug is unplugged from the socket and that it is carried out after the body cools down.
2. Do not put the product directly into water for cleaning.
3. In order to prolong the service life of the toaster, please take out the crumb plate and clean up the crumbs after baking each time.
4. Do not use steel wire ball or any chemical or abrasive powder cleaner for cleaning.
5. To avoid the accumulation of bread crumbs in the crumb plate, please clean the crumb plate regularly. If you want to remove bread crumbs from the toast stove, you should first open the bread crumb plate at the bottom of the toast stove, pour out the bread crumbs, gently wipe them with a soft dry cloth, and then close the crumb plate with a push-pull style after cleaning.

EN

TROUBLESHOOTING

If the product is abnormal during operation, please refer to the following table and take measures. If the problem persists or other problems occur, please contact Midea Customer Service Center.

Problem	Cause	Solution
Indicator light does not work	<ul style="list-style-type: none"> The plug is not inserted properly. 	<ul style="list-style-type: none"> Check plug.
	<ul style="list-style-type: none"> Loose connecting wire. 	<ul style="list-style-type: none"> Send to the after-sales service point for maintenance.
	<ul style="list-style-type: none"> The lamp wire is broken. 	<ul style="list-style-type: none"> Send to the after-sales service point for maintenance.
No heating	<ul style="list-style-type: none"> Press switch not pressed in place. 	<ul style="list-style-type: none"> Press the push switch in place.
	<ul style="list-style-type: none"> Heating filament failure. 	<ul style="list-style-type: none"> Send to the after-sales service point for maintenance.
	<ul style="list-style-type: none"> The circuit board is broken. 	<ul style="list-style-type: none"> Send to the after-sales service point for maintenance.

EN

TRADEMARKS, COPYRIGHTS AND LEGAL STATEMENT

Midea logo, word marks, trade name, trade dress and all versions thereof are valuable assets of Midea Group and/or its affiliates (“Midea”), to which Midea owns trademarks, copyrights and other intellectual property rights, and all goodwill derived from using any part of an Midea trademark. Use of Midea trademark for commercial purposes without the prior written consent of Midea may constitute trademark infringement or unfair competition in violation of relevant laws.

This manual is created by Midea and Midea reserves all copyrights thereof. No entity or individual may use, duplicate, modify, distribute in whole or in part this manual, or bundle or sell with other products without the prior written consent of Midea.

All the described functions and instructions were up to date at the time of printing this manual. However, the actual product may vary due to improved functions and designs.

DISPOSAL AND RECYCLING

Important Instructions for Environment

Compliance with the WEEE Directive and Disposing of the Waster Product:
This product complies with EU WEEE Directive (2012/19/EU). This product bears a classification symbol for waster electrical and electronic equipment (WEEE).

EN

This symbol indicates that this product shall not be disposed with other household wastes at the end of its service life. Used device must be returned to official collection point for recycling of electrical electronic devices. To find these collection systems please contact to your local authorities or retailer where the product was purchased. Each household performs important role in recovering and recycling of old appliance. Appropriate disposal of used appliance helps prevent potential negative consequences for the environment and human health.



Compliance with RoHS Directive

The product you have purchased complies with EU RoHS Directive (2011/65/EU). It does not contain harmful and prohibited materials specified in the Directive.

Package Information

Packaging materials of the product are manufactured from recyclable materials in accordance with our National Environment Regulations. Do not dispose of the packaging materials together with the domestic or other wastes. Take them to the packaging material collection points designated by the local authorities.



DATA PROTECTION NOTICE

For the provision of the services agreed with the customer, we agree to comply without restriction with all stipulations of applicable data protection law, in line with agreed countries within which services to the customer will be delivered, as well as, where applicable, the EU General Data Protection Regulation (GDPR).

EN

Generally, our data processing is to fulfil our obligation under contract with you and for product safety reasons, to safeguard your rights in connection with warranty and product registration questions. In some cases, but only if appropriate data protection is ensured, personal data might be transferred to recipients located outside of the European Economic Area.

Further information are provided on request. You can contact our Data Protection Officer via **MideaDPO@midea.com**. To exercise your rights such as right to object your personal data being processed for direct marketing purposes, please contact us via **MideaDPO@midea.com**. To find further information, please follow the QR Code.



make yourself at home



www.midea.com

© Midea 2022 all rights reserved