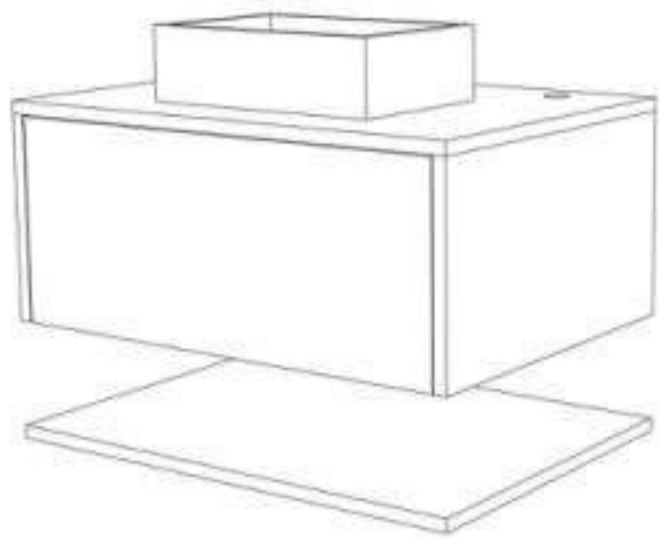


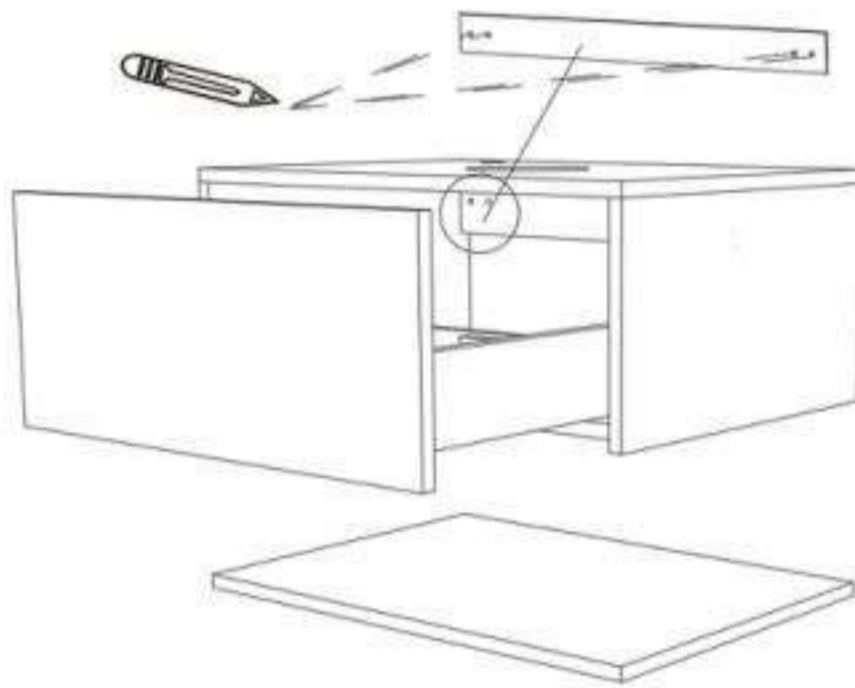
Safety tips

YN-2528





- Input voltage: AC200V-240V The earth cable and the leakage switch must be connected
- There is a high voltage device in the product. Please do not disassemble it if you are not a professional electrician
- The power tools used for the installation must have earthing protection.
- If you are using power tools for installation wall changers, avoid wire pipes and water pipes.
- Do not use hard or sharp objects to hit the product
- When using the mirror cabinet, it is not permitted to not allowed to open or close the door with too much force, to avoid damaging the mirror and Injuring the human body.
- Do not use chemicals containing chlorine (such as salt, washing powder, disinfectants) in or near the mirror cabinet. Clean the cabinet with a mild detergent detergent or soap solution, dry it with a dry soft cloth and try to keep it clean.

Product information



Product accessories

A  x12 B  x12

Installation tools (not supplied)



Installation steps

STEP1 Mark the horizontal and vertical line at the installation position



- STEP2 on the back of the product. Align the horizontal and vertical line of the mirror cabinet and mark the mounting hole on the back of the mirror cabinet. Drill holes in standard locations, insert plastic wall anchor (A) into the holes and tighten them with screws (B) The accessories C/D is the decorative covers of the screws.

Level
Vertikale Linie

