

Instruction

1:28 R/C Camera Remote Control Car

Please read before use

Dear customers:

• Thank you for purchasing our RC model car. As we always strive to develop and improve our products, we reserve the right to make changes on technologies, functions, materials and design at any time without prior notice. No claims will be accepted for any slight differences between the product you have received and the data or illustrations in the manual.

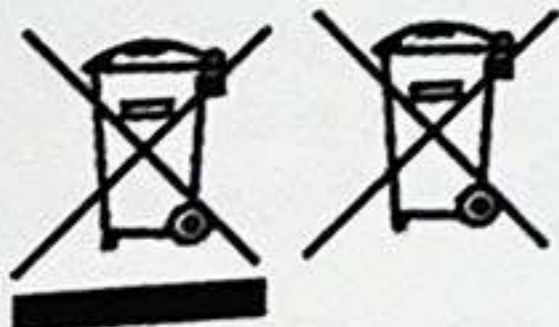
- Please read this manual carefully before using the product.
- Please keep this manual for future reference and in the event that the product is passed on to a third party.

Warnings!

• Improper use of the product may result in serious injury or property damage. The manual contains technical safety regulations and information on maintenance and operation.

Warnings!

• This model car is not safe for children under the age of three, as the small components may cause harm to them. Remove all packing materials and wire fasteners before giving the model car to children.



• This symbol indicates not to mix exhausted batteries, rechargeable batteries, button batteries, rechargeable battery packs, equipment batteries, and discarded electrical equipment in household waste,

because they are harmful to the environment and health. Please protect the environment and your health and tell your children to properly dispose the used batteries and discarded electrical equipment. Do not mix different types of batteries, or the old and new batteries. Connect the correct quality of the battery. Take the exhausted batteries out of the product. Do not charge the non-rechargeable batteries, as it may cause explosion. Take the rechargeable battery out of the toy before charging. Avoid short circuit in the power terminal. Rechargeable batteries can only be charged by adults or children above the age of eight. For batteries and chargers used for the model car, check their power wires, plugs, casings and other components regularly for any damages. If there are damages, do not use them before repair.

Solutions for breakdowns

The car does not work

- Set the switch of the transmitter and the vehicle to the "ON" mode.
- Check if the battery or battery pack is connected in correct polarity.
- Check the battery contact for any damages.
- Check the battery for power capacity.

Install batteries into the remote controller

• Open the battery box cover with a screwdriver and insert the non-rechargeable battery into the remote controller in correct polarity. Tighten the battery box cover with a screwdriver.

Now you can drive

- 1. Set the switch of the car to the "ON" mode.
- 2. Turn on the controller. The LED on the controller will flash, if the light stays on for a long time, it indicates successful frequency matching. Tip: If the indicator light is off, please restart the switch and re align the frequency.

How to operate the RC model car?

• Please read the illustrations and instructions carefully for proper operation of the car.

How to charge batteries?

• Please read the illustrations and instructions carefully for proper charging of the battery. Tip: When charging, the power switch should be on the OFF side, and it takes approximately 25-30 minutes to fully charge after turning off the device.

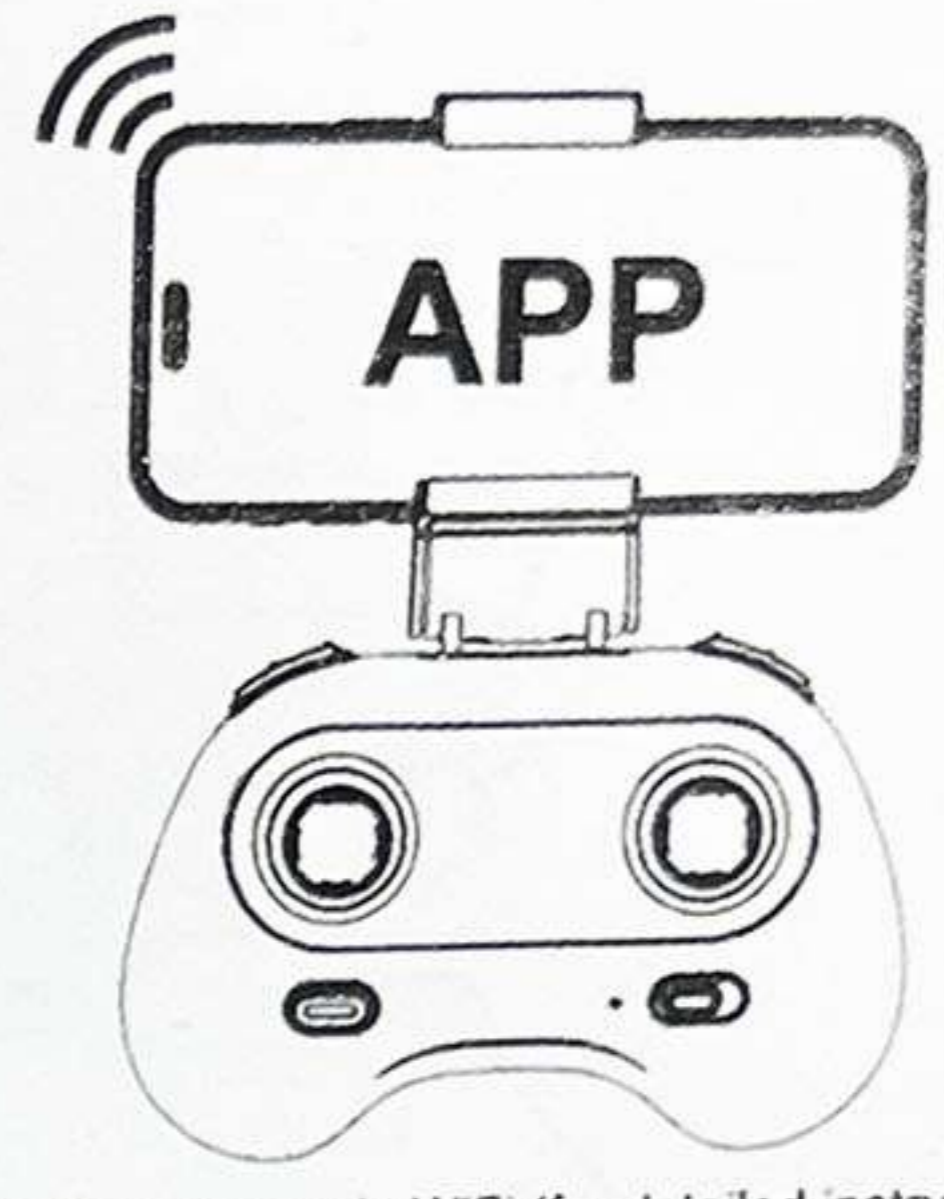
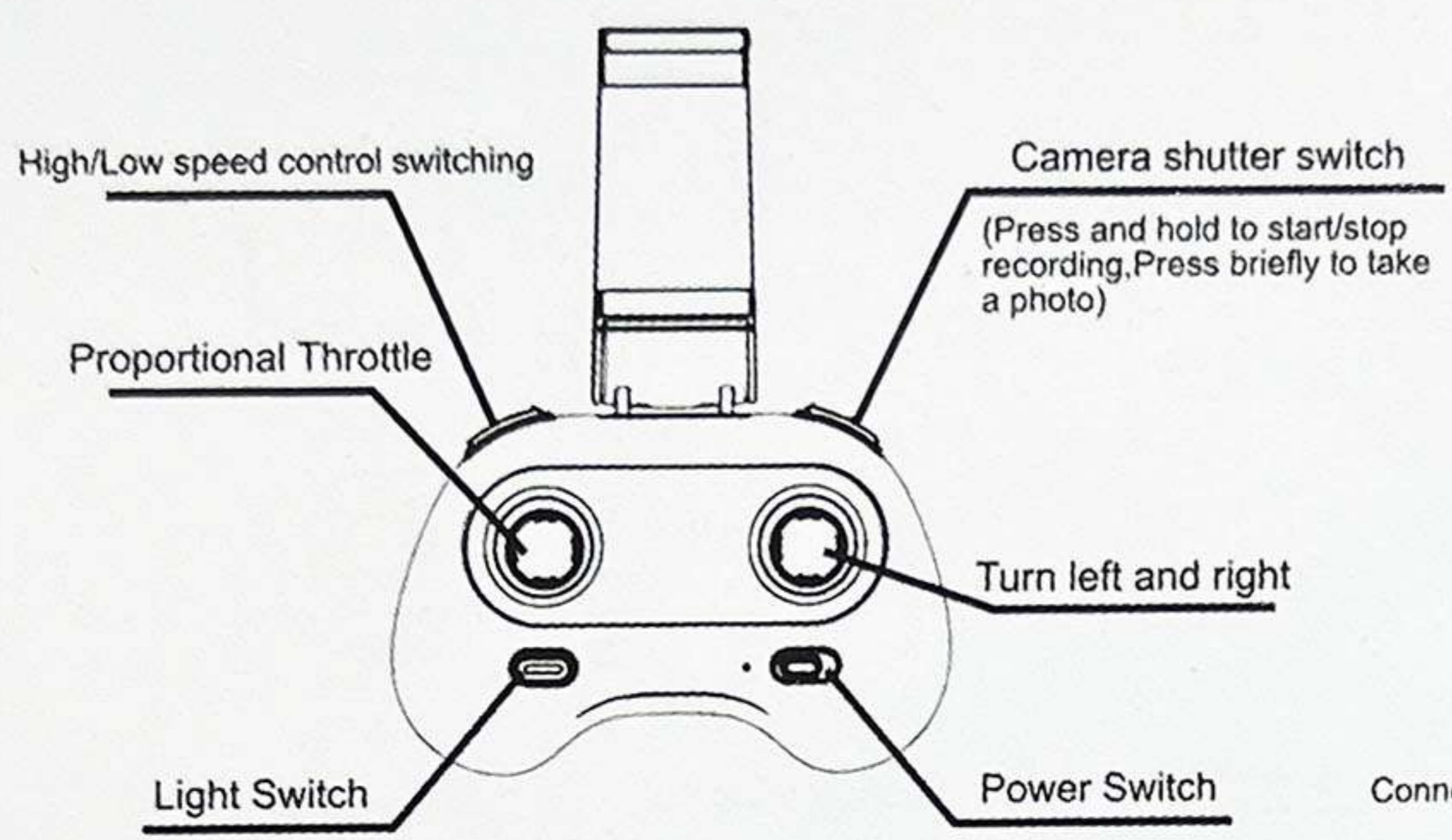
Safety instructions

- A. The RC model car is designed for amateurs and can be used only in an open space. Warnings! Do not use RC vehicle in road traffic.
- B. Do not play it on grass surface. Do not use it to transport goods, people or animals.
- C. Do not play it outdoors in a rainy or snowy weather. Do not drive this non-amphibious car in water, puddle or snow, and always park it in a dry place.
- D. Do not drive the RC car near the river, pond or lake, avoid the risk of falling into the water. Do not drive on a runway that is completely covered with sands.
- E. Do not expose the RC car to direct sunlight.
- F. Always Place the car on the floor by hand. Never throw the car on the floor from a standing position.
- G. Never jumping from joints or ramps higher than 5 cm (0.16ft).
- H. The model car must be checked before and after operation. Tighten the screws or nuts that may be loose.
- I. Do not modify the model car without permission, because this may cause damage to the car or serious injuries.

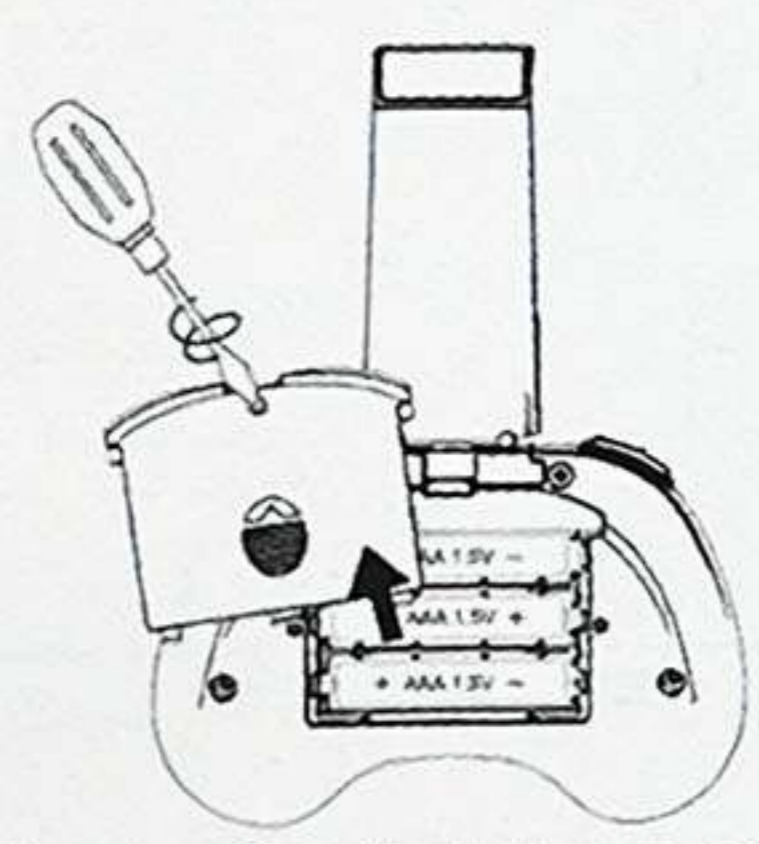
The car cannot work normally: the launch distance is too short!

- Is the battery power decreasing?
- Are there any other RC car devices transmitting at the same frequency nearby?
- Are there metal railings causing interference?
- Are there walkie-talkie/wireless networks nearby causing interference?

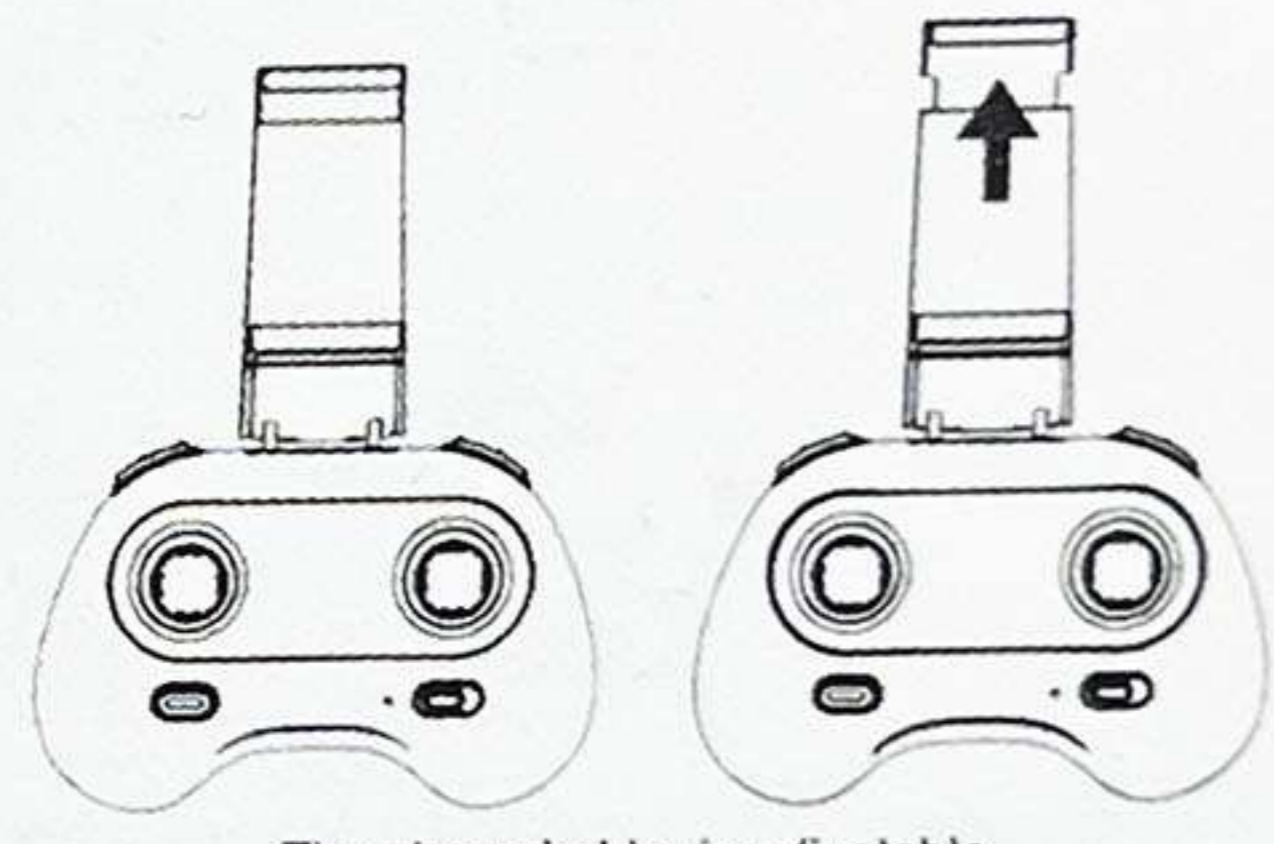
Usage and Installation of the Remote Control.



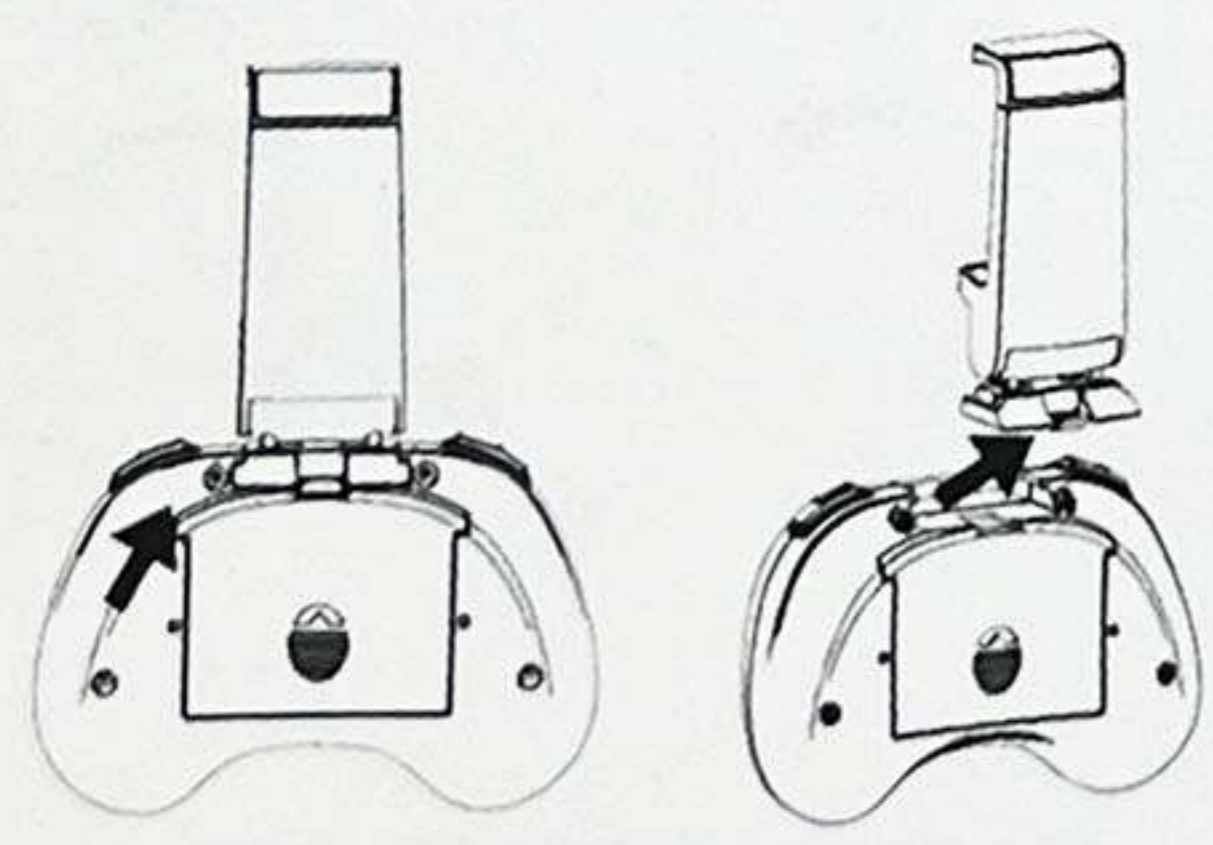
Connect to your phone via WiFi (for detailed instructions, please refer to the app's appendix manual).



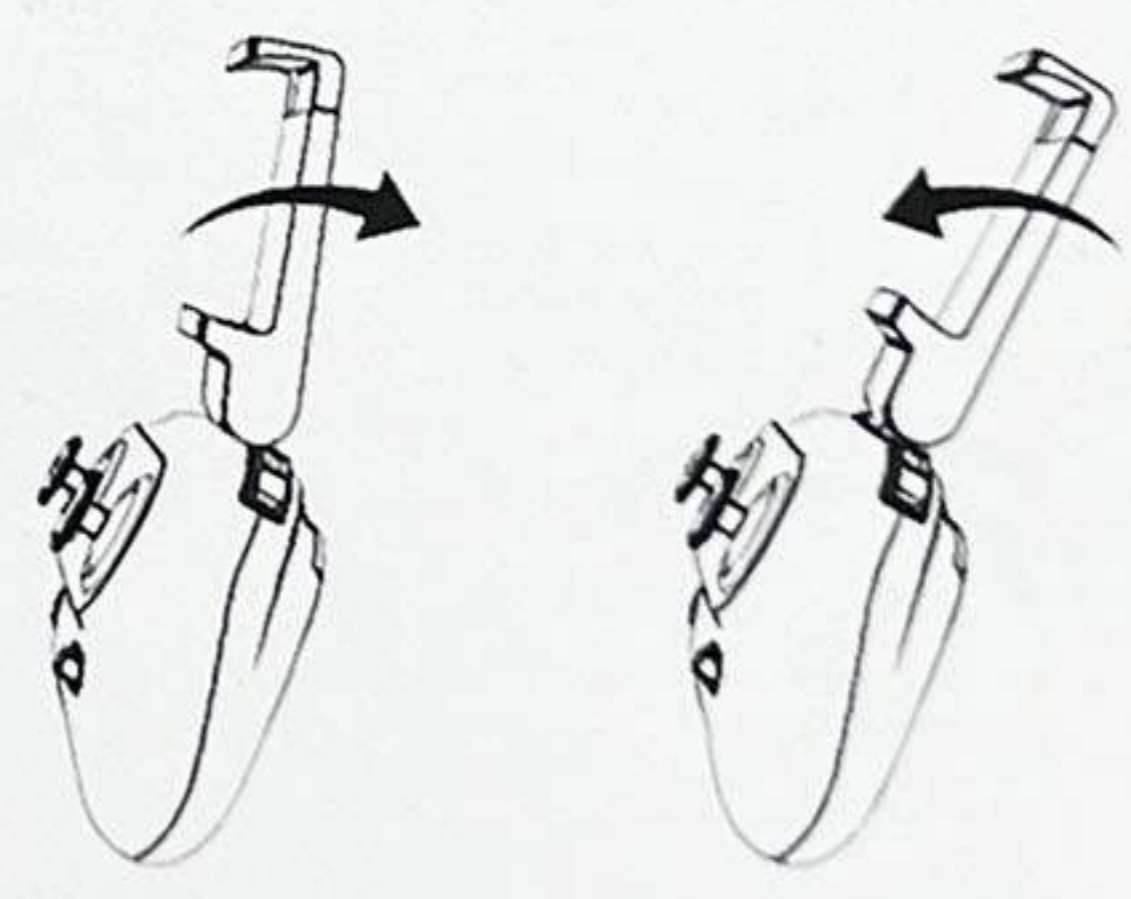
Installing the Batteries: Open the battery cover on the back of the remote control, install 3 AAA 1.5V batteries, and securely reattach the battery cover. (Batteries not included)



The phone holder is adjustable.

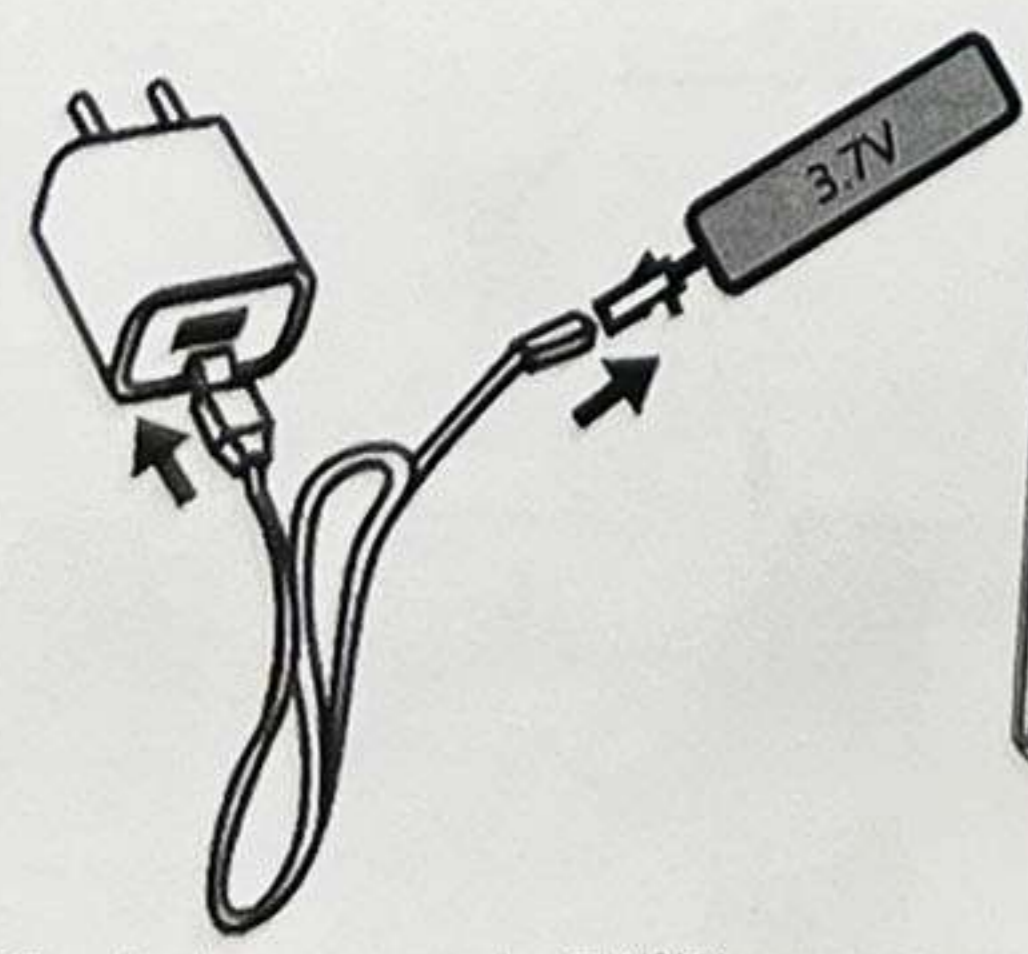


The phone holder can be detached if not needed. To remove the phone holder, press the raised button on the back to release it.

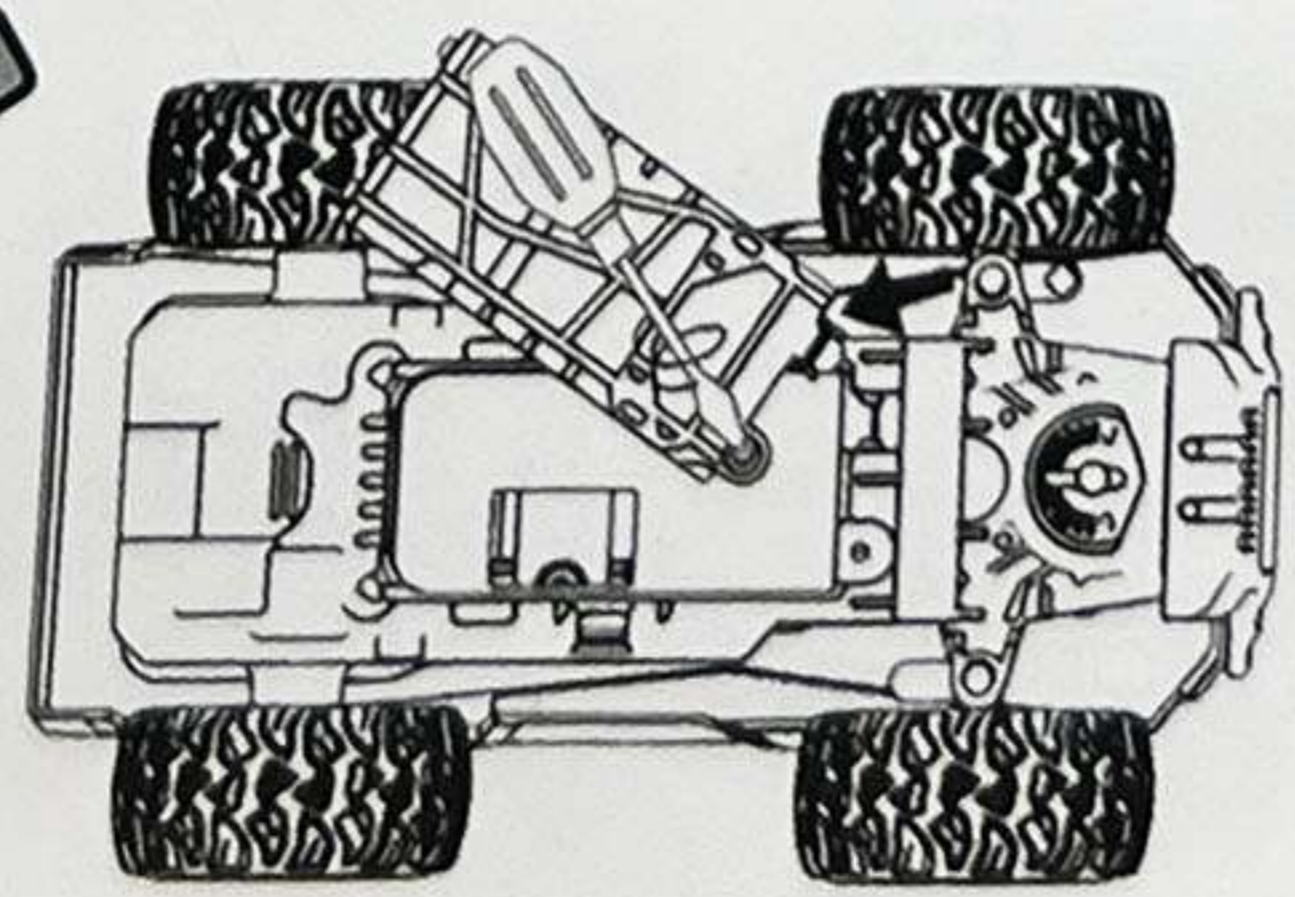


The phone holder has 2 adjustable fixed angles for convenient remote control operation and optimal phone viewing.

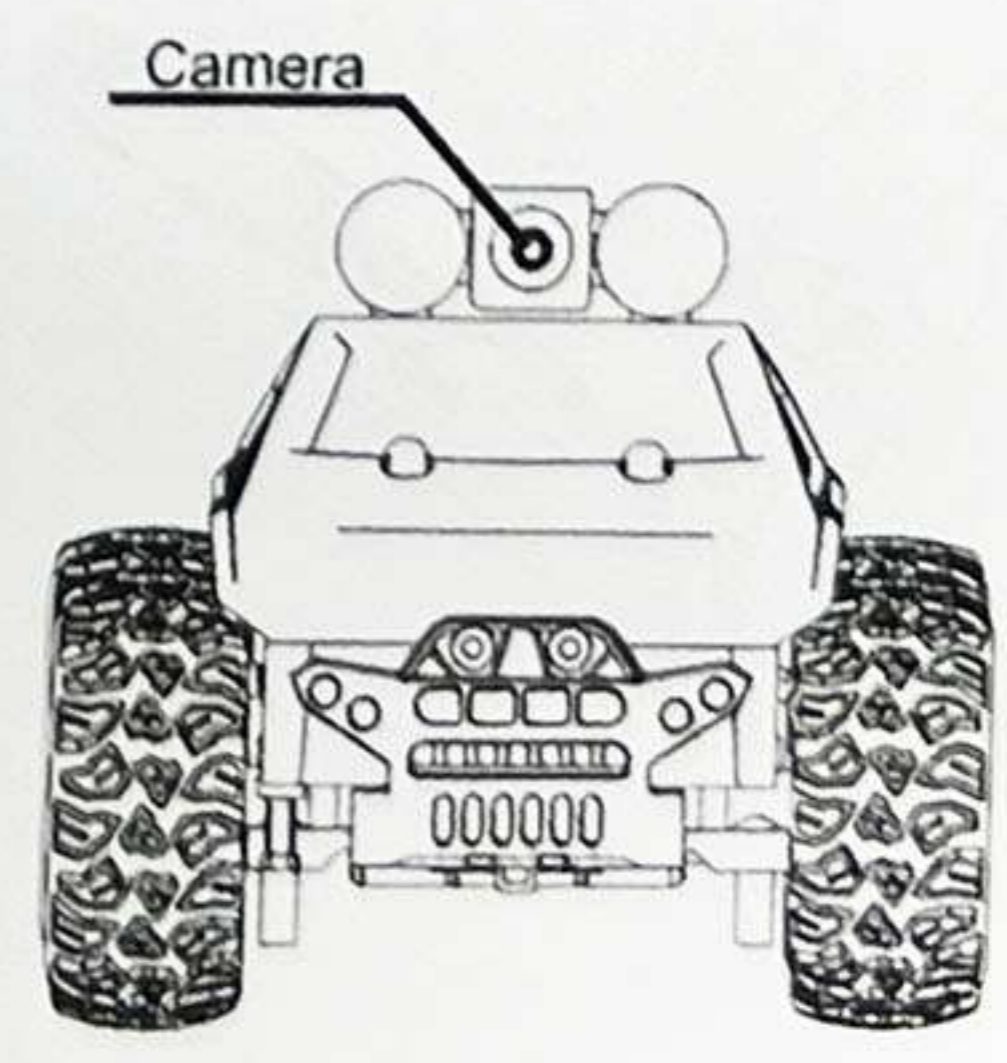
Remote Control Car Battery Installation



Standard power supply: 5V/2W



Please fully charge the battery before use.



Camera

APP Operating instructions

Install mobile client Please scan the corresponding two-dimensional code to the corresponding web site to download APP.



Add device Electrify the equipment, Please manually connect the WIFI hotspot to "KY/HD/WiFi *****", No password.



Figure 1



Figure 2

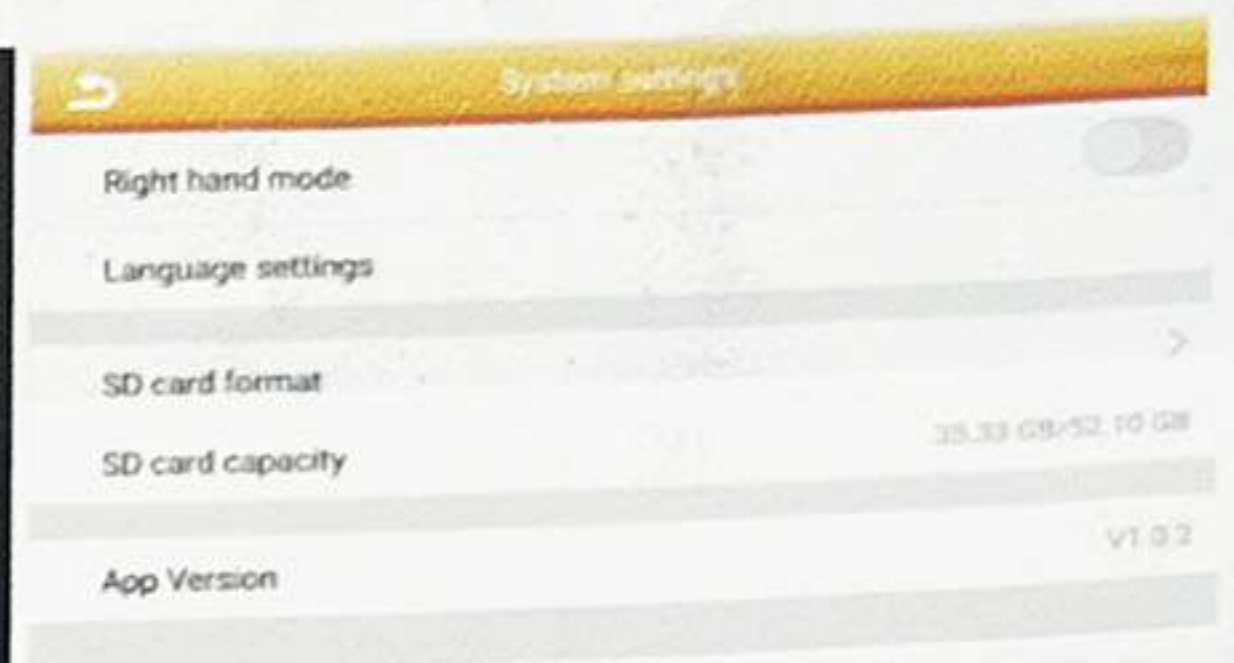


Figure 3

Head interface Figure 1, Connection Device, Media Library, Operation Guide, Setting, Play .

Head interface Click the first interface "play Key" Enter playback interface.

Function setting Click the "system settings" at the first interface to enter the settings interface; Some parameters can be set. Figure 3.

Operation instructions Play screen icons. Figure

