

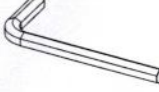









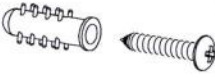

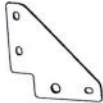




Box 1/2: (1) (2) (5) x4 (7) (8) (11) x2 (12) (13) (14) x2

Box 2/2: (3) (4) (6) (9) (10) x4

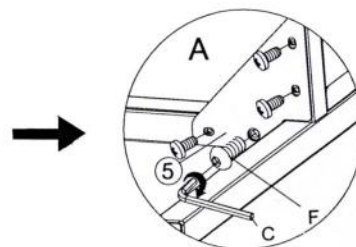
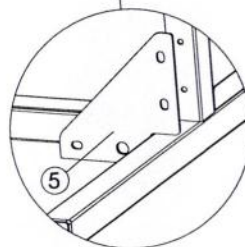
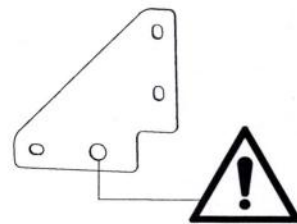
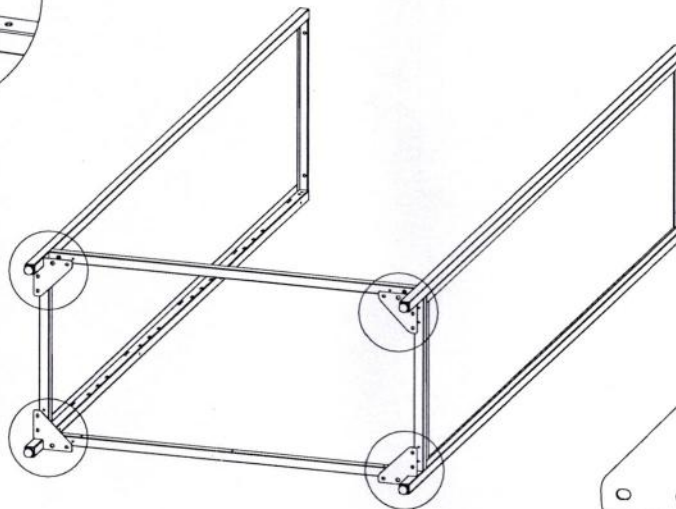
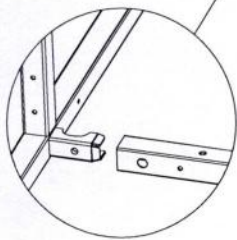
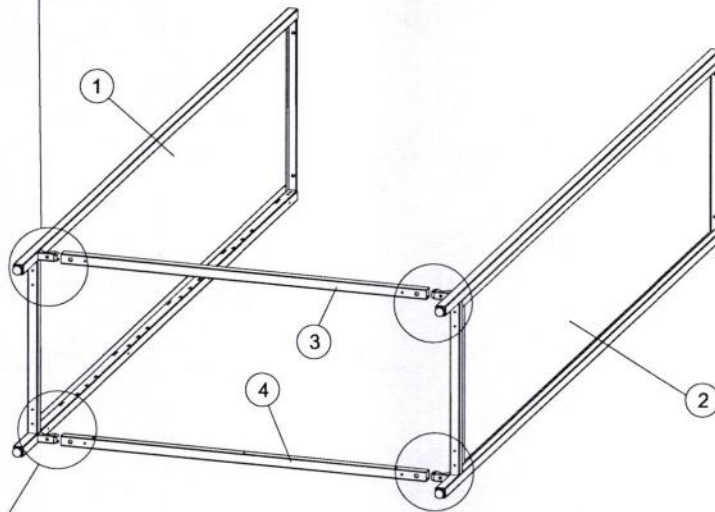
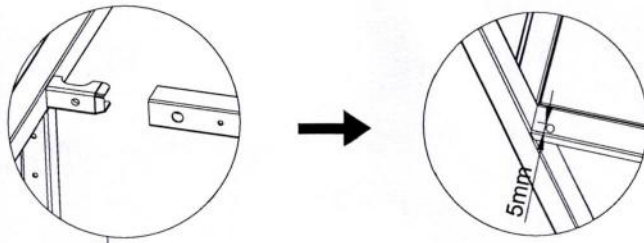
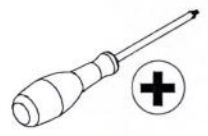
<p>A × 47</p>  <p>M4x8mm</p>	<p>B × 16</p> 	<p>C × 1</p> 	<p>D × 4</p>  <p>M3x10mm</p>
<p>E × 2</p>  <p>Ø4.8</p>  <p>Ø5</p>		<p>F × 4</p>  <p>M6x10mm</p>	<p>G × 2</p> 
<p>H × 4</p>  <p>M3x8mm</p>  <p>M3</p>  <p>Ø10</p>  <p>M3</p>			
<p>I × 2</p> 	<p>J × 4</p> 		
<p>5 × 4</p> 	<p>11 × 2</p> 	<p>14 × 2</p> 	

1

A x 12
M4x8mm

C x 1

F x 4
M6x10mm



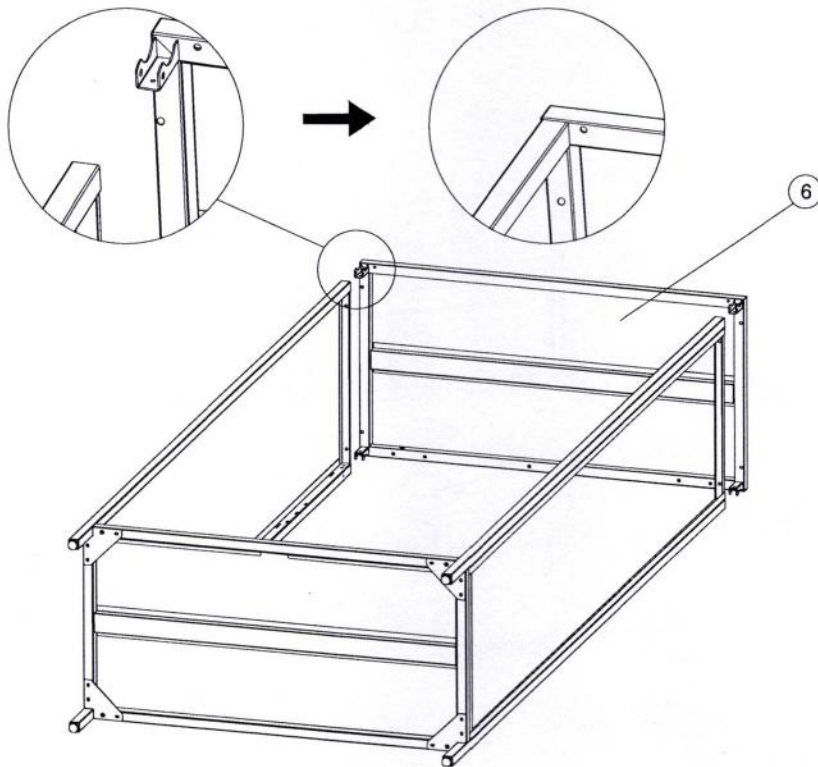
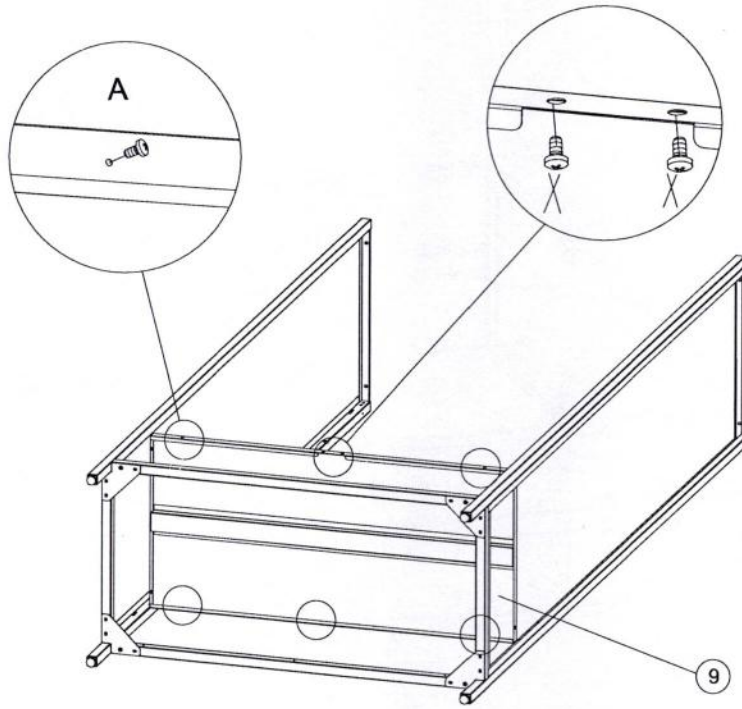
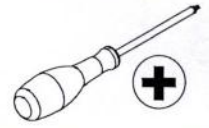
x4

2






A x 5

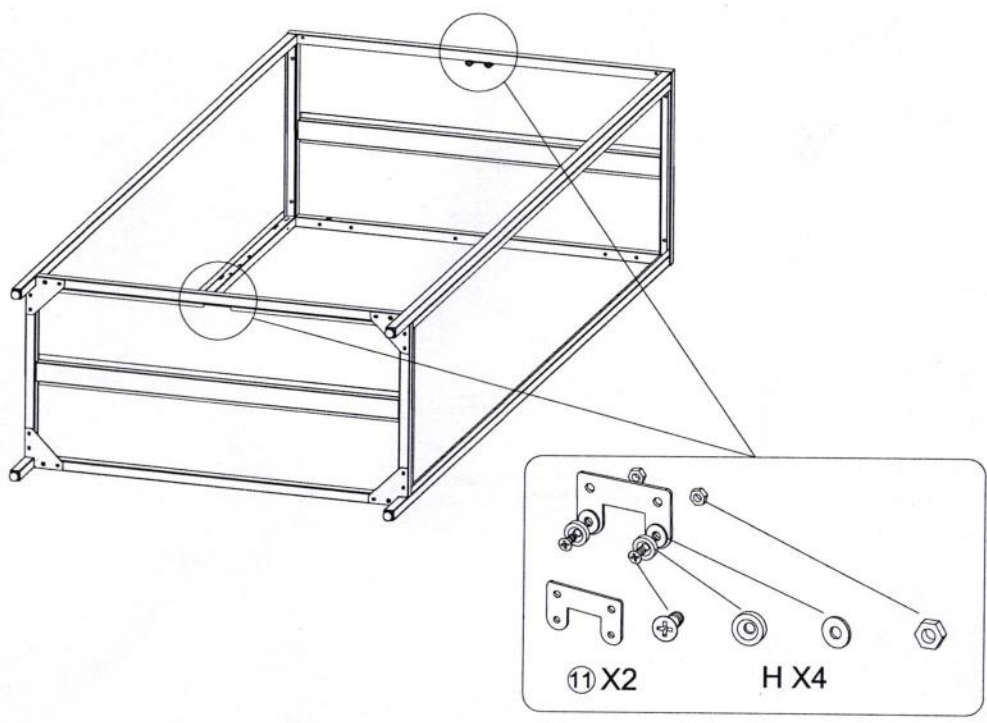
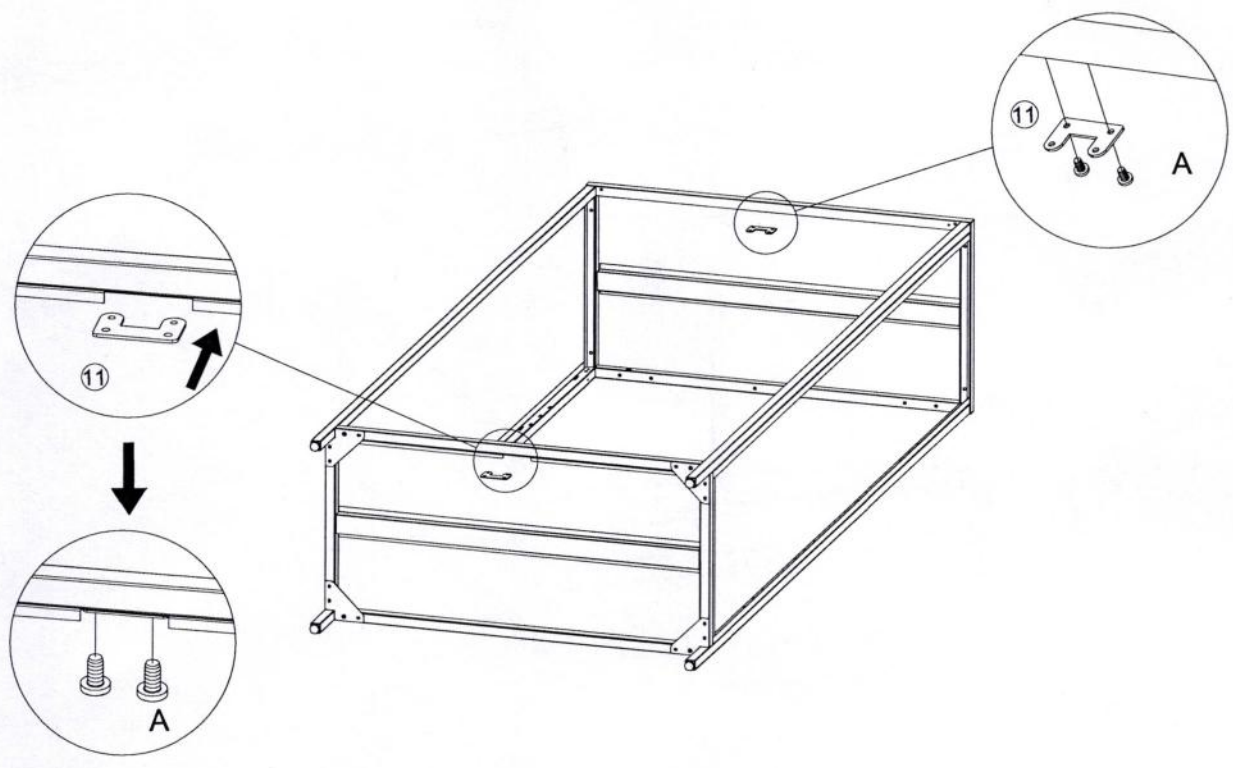
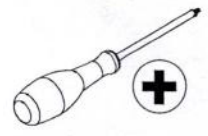


M4x8mm



3

A x 4  M4x8mm	H x 4     M3x8mm Ø10 M3 M3			
--	---	--	--	--

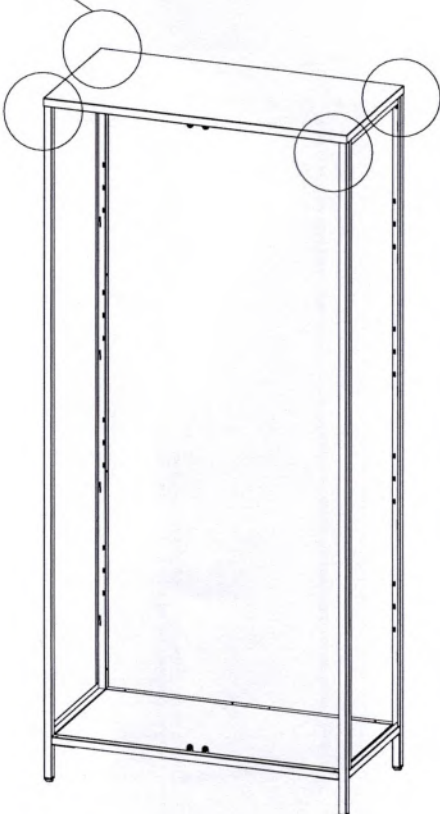
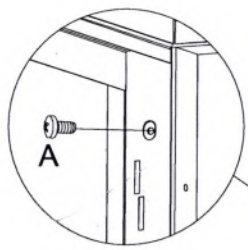
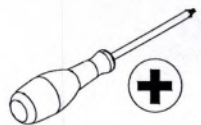


4

A x 4



M4x8mm

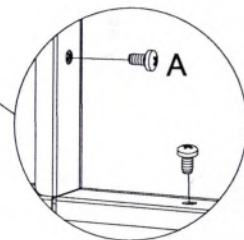
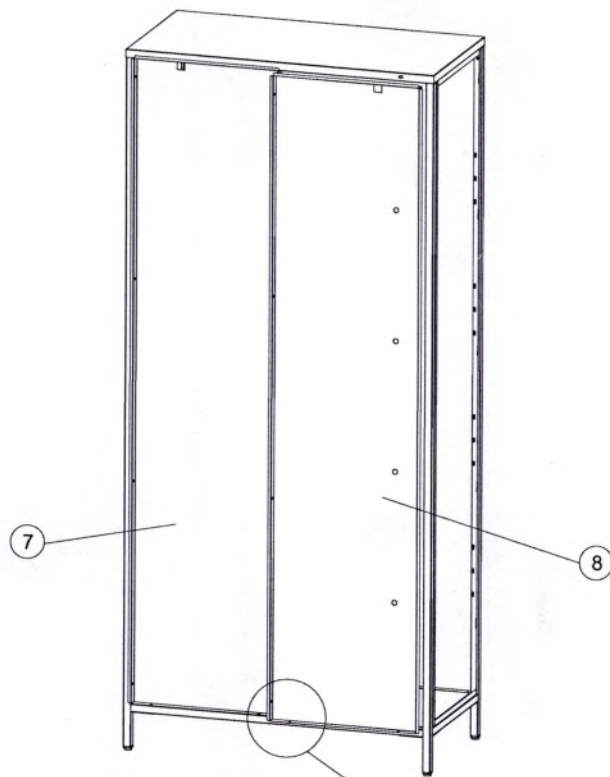
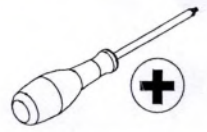


5

A x 20

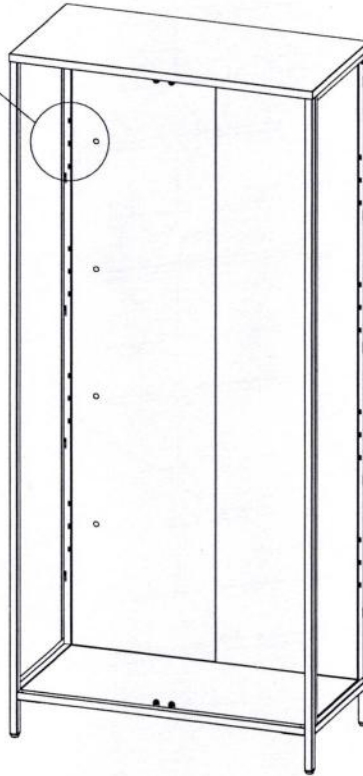
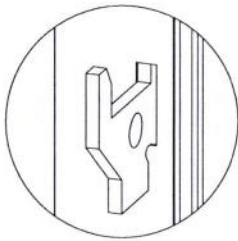
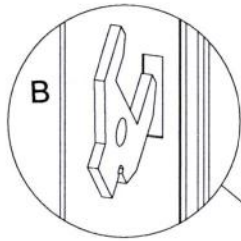


M4x8mm

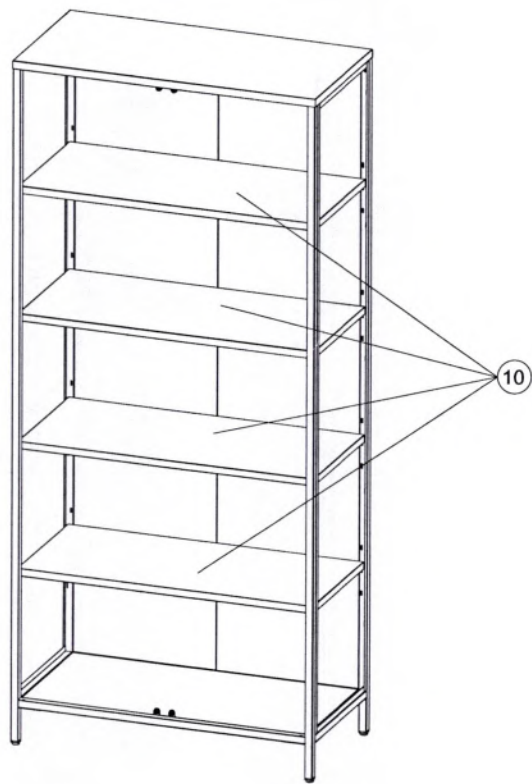


6

B × 16

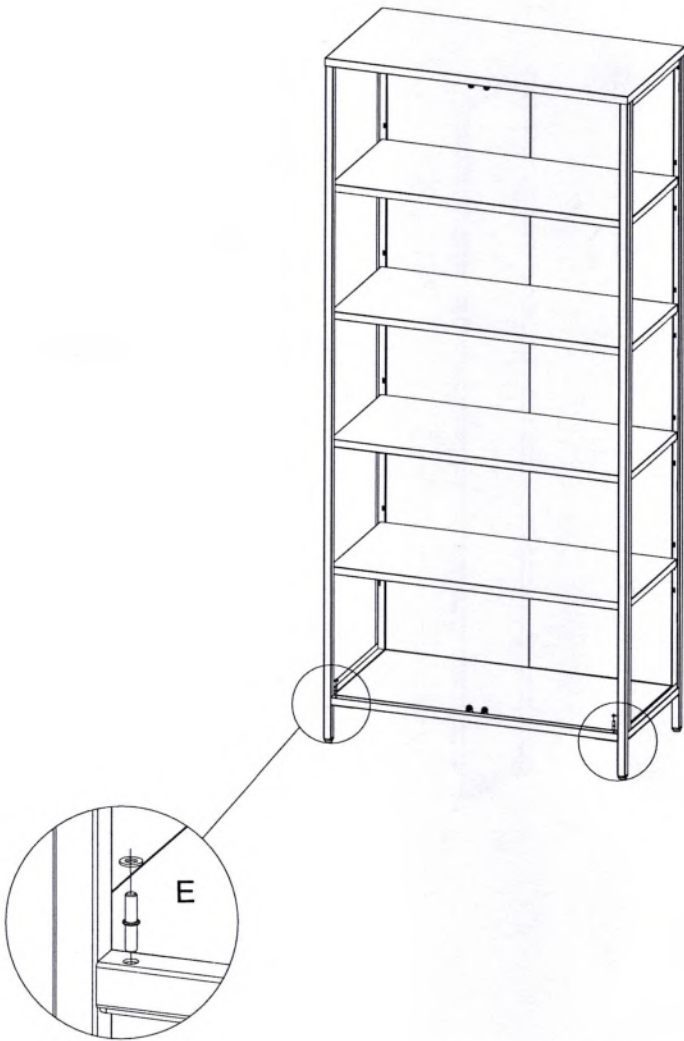


7



8

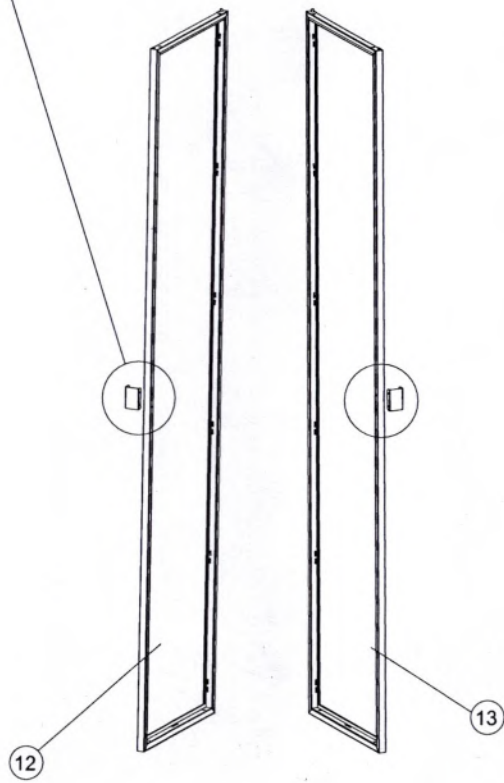
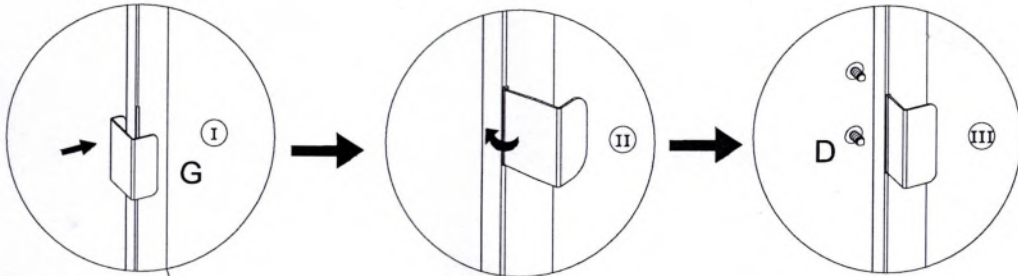
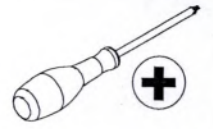
E x 2
Ø4.8 Ø5



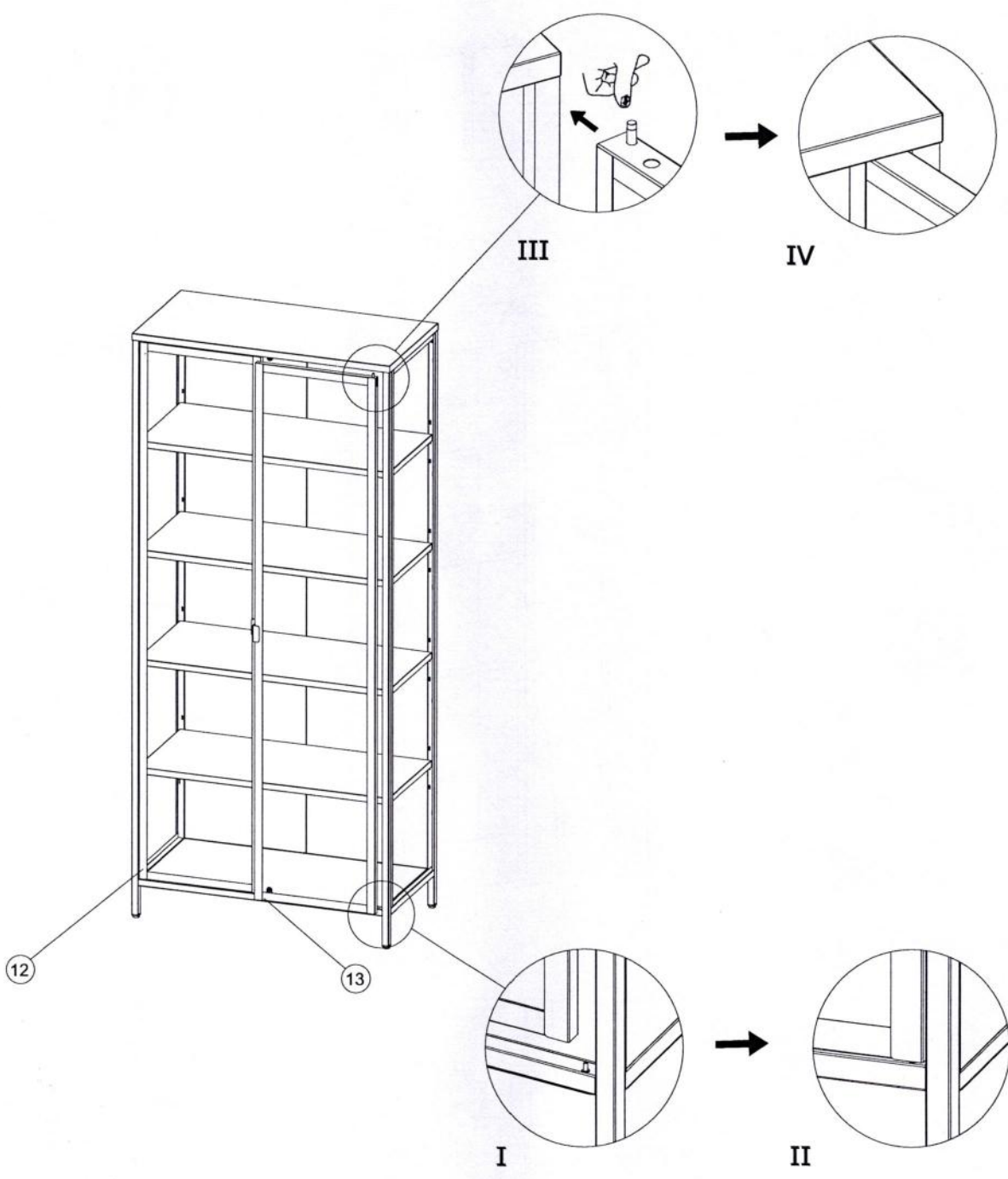
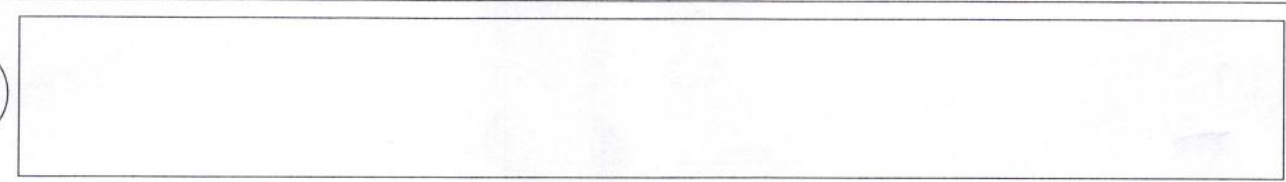
9

D x 4
M3x10mm

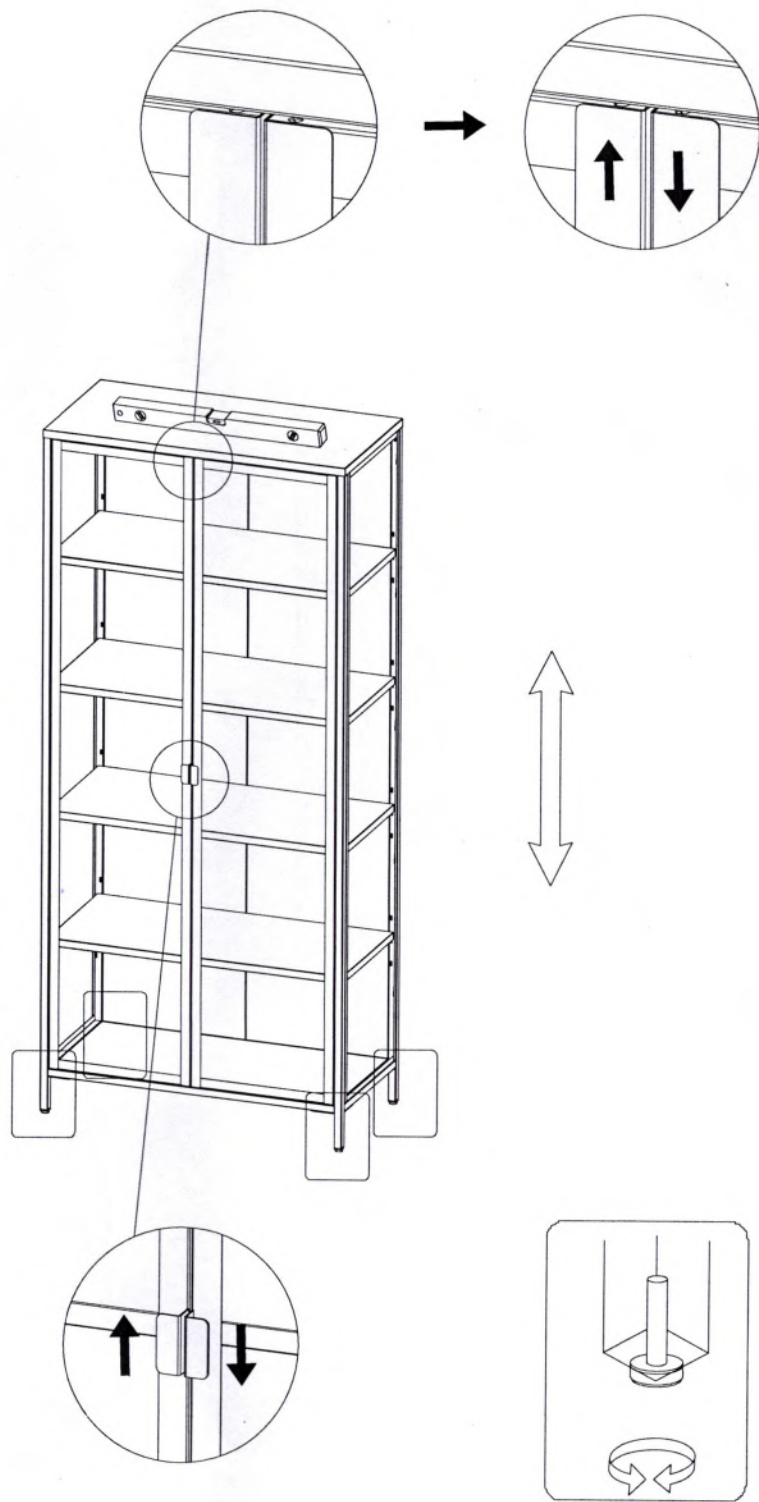
G x 2






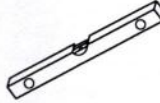




10

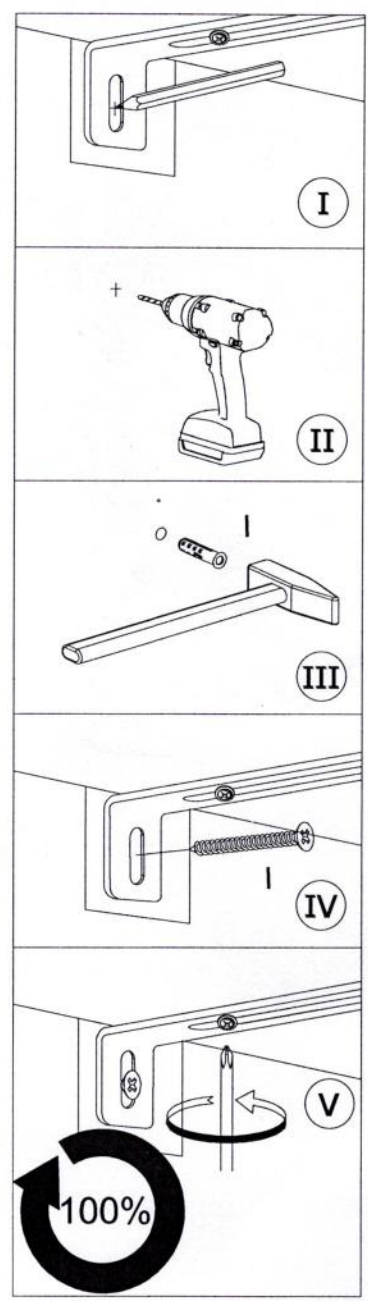
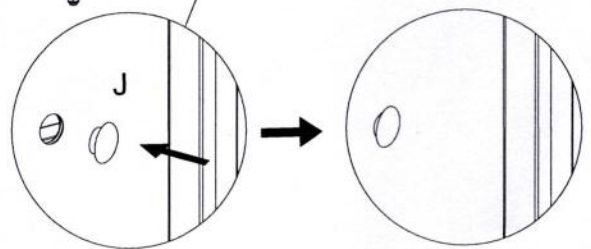
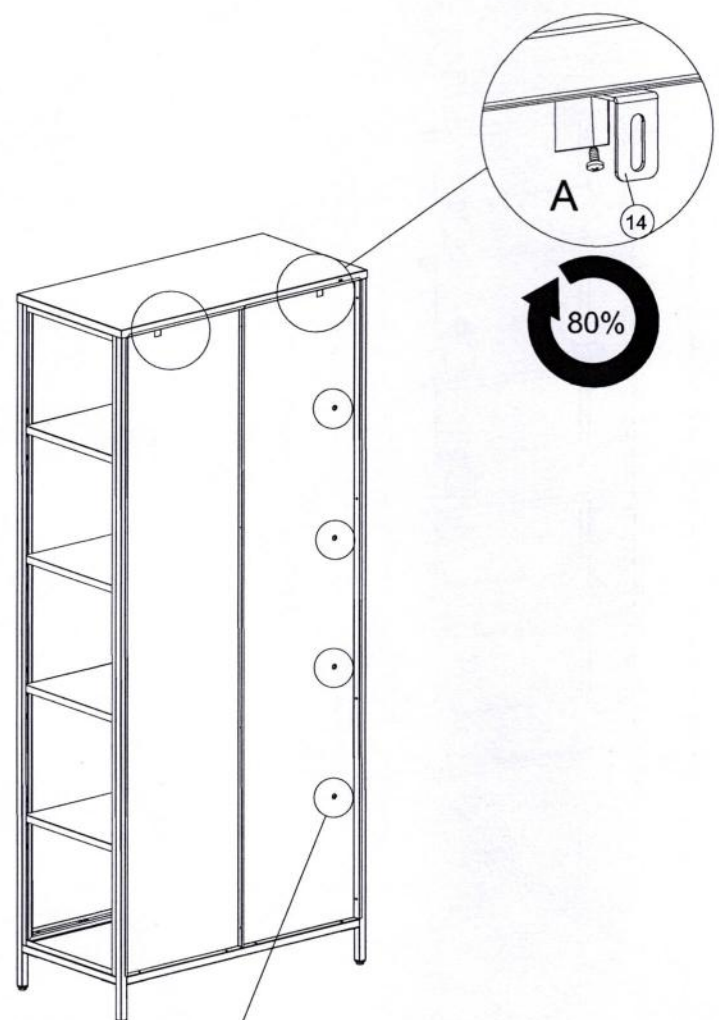
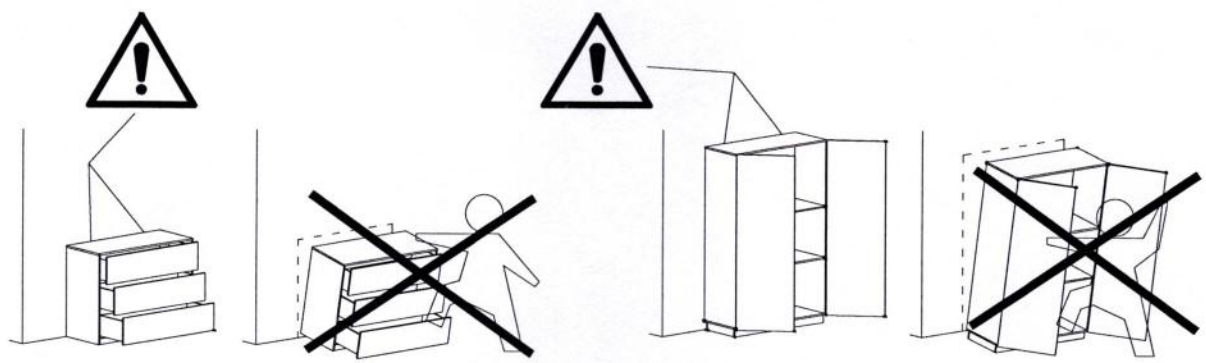


11



12

A x 2  M4x8mm	I x 2 	J x 4 	    
--	--	--	--



13

