

**CEILING FAN**

# **USER MANUAL**

**FC140-25A**

Warning notices: Before using this product, please read this manual carefully and keep it for future reference. The design and specifications are subject to change without prior notice for product improvement. Consult with your dealer or manufacturer for details. The diagram above is just for reference. Please take the appearance of the actual product as the standard.

## THANK YOU LETTER

Thank you for choosing Midea! Before using your new Midea product, please read this manual thoroughly to ensure that you know how to operate the features and functions that your new appliance offers in a safe way.

# CONTENTS

THANK YOU LETTER .....	01
SAFETY INSTRUCTIONS .....	02
SPECIFICATIONS .....	04
PRODUCT OVERVIEW .....	05
PRODUCT INSTALLATION .....	06
OPERATION INSTRUCTIONS .....	11
CLEANING AND MAINTENANCE .....	12
TRADEMARKS, COPYRIGHTS AND LEGAL STATEMENT	13
DATA PROTECTION NOTICE .....	14

# SAFETY INSTRUCTIONS

## Intended Use

The following safety guidelines are intended to prevent unforeseen risks or damage from unsafe or incorrect operation of the appliance. Please check the packaging and appliance on arrival to make sure everything is intact to ensure safe operation. If you find any damage, please contact the retailer or dealer. Please note modifications or alterations to the appliance are not allowed for your safety concern. Unintended use may cause hazards and loss of warranty claims.

## Explanation of Symbols



### **Danger**

This symbol indicates that there are dangers to the life and health of persons due to extremely flammable gas.



### **Warning of electrical voltage**

This symbol indicates that there is a danger to life and health of persons due to voltage.



### **Warning**

The signal word indicates a hazard with a medium level of risk which, if not avoided, may result in death or serious injury.



### **Caution**

The signal word indicates a hazard with a low degree of risk which, if not avoided, may result in minor or moderate injury.



### **Attention**

The signal word indicates important information (e.g., damage to property), but not danger.



### **Observe instructions**

This symbol indicates that a service technician should only operate and maintain this appliance in accordance with the operating instructions.

Read these operating instructions carefully and attentively before using/commissioning the unit and keep them in the immediate vicinity of the installation site or unit for later use!

## CAUTION

- Read Rules for Safe Operation and Instructions Carefully.
- This appliance is not intended for use by persons (including children) with reduced physical, sensory or mental capabilities, or lack of experience and knowledge, unless they have been given supervision or instruction concerning use of the appliance by a person responsible for their safety. Children should be supervised to ensure that they do not play with the appliance.

## WARNING

- If the supply cord is damaged, it must be replaced by manufacturer, its service agent or a similarly qualified person in order to avoid a hazard.
- The fan is to be installed so that the blades are more than 2.3m above the floor.
- The appliance is not fitted with means for disconnection from the supply mains. A full disconnection switch under overvoltage category III must be incorporated in the fixed wiring in accordance with the wiring rules.
- Appliance must be installed by the manufacturer, its service agent or similarly qualified persons with provided supply lead in order to avoid a hazard.
- **WARNING:** If unusual oscillating movement is observed, immediately stop using the ceiling fan and contact the manufacturer, its service agent or suitable qualified persons.

# SPECIFICATIONS

<b>Product Model</b>	<b>FC140-25A</b>
Voltage	220-230V~
Frequency	50Hz
Power	75W
Net Weight	5.3kg



# PRODUCT INSTALLATION

## Precautions




Check components for completeness after unpacking.



Check voltage of power source for compliance with voltage indication of the unit before use.



The  mark indicates the grounding terminal that requires proper grounding.



Never connect the power before connecting the Speed Controller to electrical shock.



Power wiring must be fixed safely and firmly to prevent loose contact. Prevent contact with the fan blades to prevent accidents.



Fan blades are fine-tuned in the factory before shipping; do not squeeze it or alter the angle arbitrarily. For batch installation, do not mix up components of several fans or their performance and flow rate may be affected.



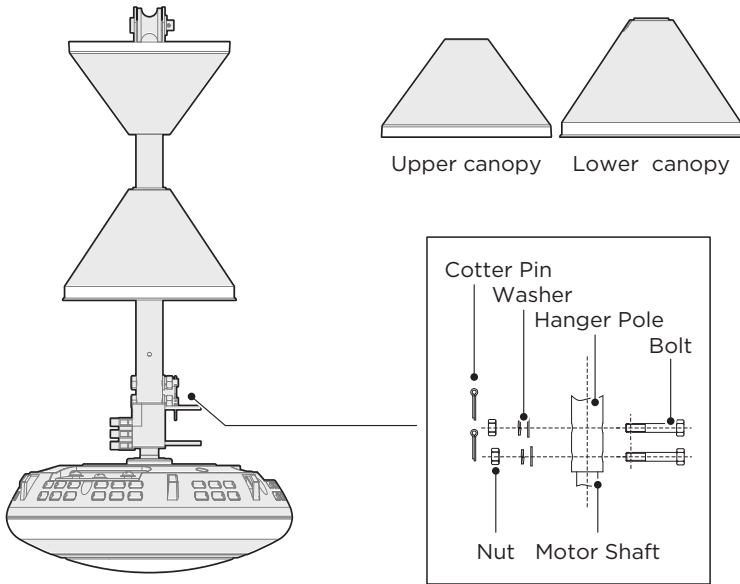
If the fan is installed in environments where the level of airborne fibers or dust severely exceed standards, such as in factories or garages, special ceiling fans with dust prevention shaft or dust prevention devices must be ordered; otherwise, noise or seizure may occur after a certain period of operation.



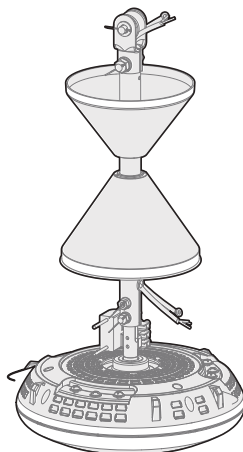
To install ceiling fans, use only original suspension rods (with shaft sleeve) assembled by our factory. Any alteration is strictly forbidden. Any adverse effect resulting from the customer's arbitrary modification is the sole responsibility of the customer.

## Installation Steps

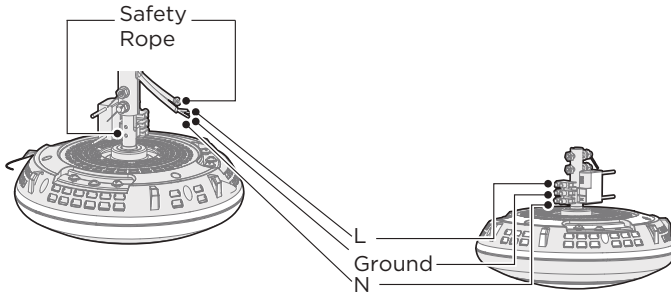
1. Install the upper and lower canopies on the hanger pole (note the difference between the upper and lower canopies), as shown in the figure, connect the hanger pole and the motor Assembly with bolts.



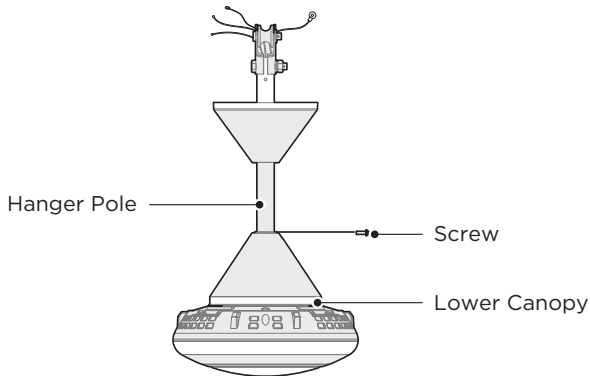
2. The fan has 3 wires (1 ground wire and neutral wire/live wire. ) and 1 safety rope, pass the wires and safety rope through the rubber ring at the bottom of the hanger pole, extending them out from the top of the hanger pole.



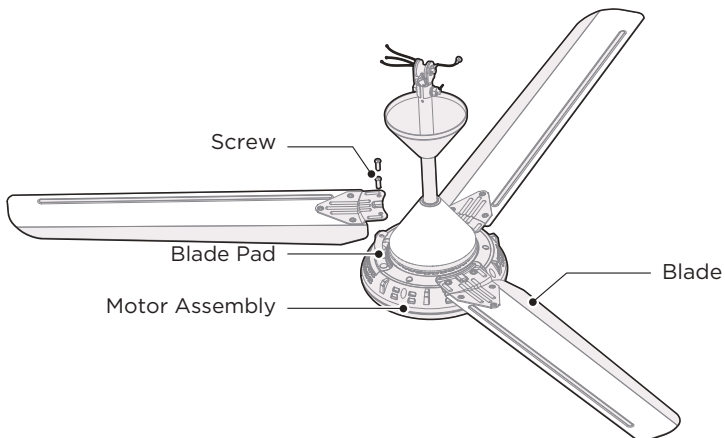
3. As shown in the figure, connect the neutral wire, live wire, and ground wire to the terminal, install the safety rope on the unit head, and secure it with screws.



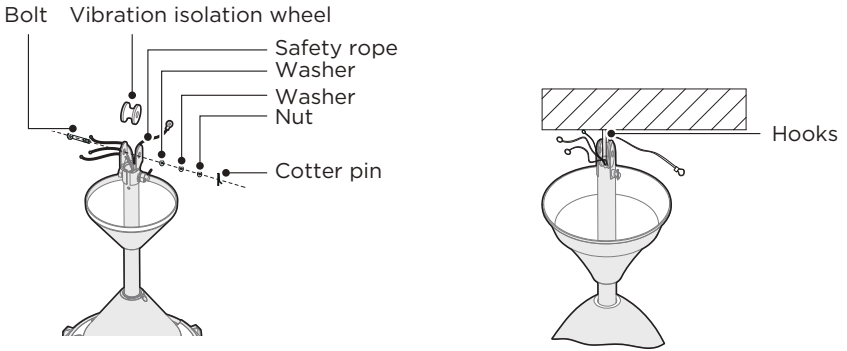
4. Adjust the lower canopy to the proper position, and fix the lower canopy with screws.



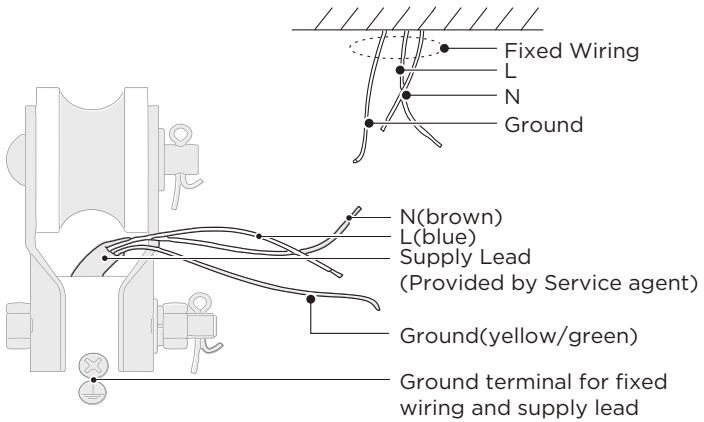
5. Remove the blade fixing screws on the motor assembly, install the blades on the motor and fix them with screws, as shown in the figure below.



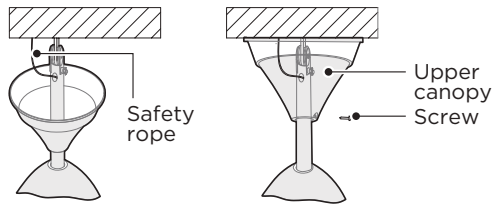
6. Loosen the bolts on the hanger pole to fix the vibration isolation wheel, remove the vibration isolation wheel, and install the vibration isolation wheel and fan on the hooks, as shown in the figure below.



7. Use a wire connector to connect the neutral wire, live wire, and external power line together. Loosen the ground wire screw, wrap the ground wire around the screw, and secure it to the hanger pole.

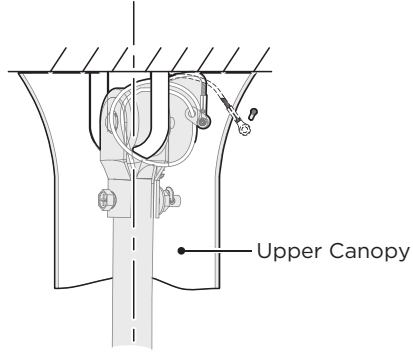


8. Screw the safety rope into the ceiling, and secure the upper canopy to the hanging rod using screws.



**⚠ WARNING**

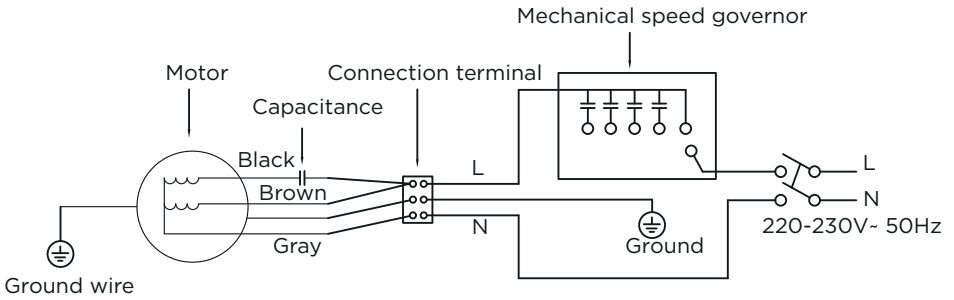
After installation, there should be no gap between the upper canopy and the ceiling.



**Circuit Diagram**

**⚠ WARNING**

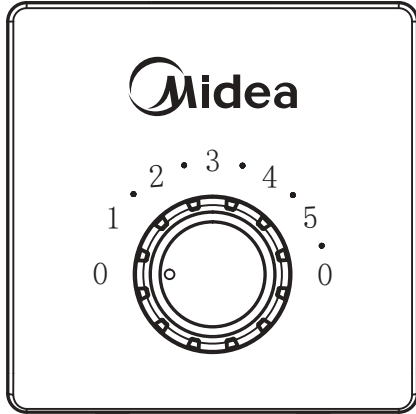
The product requires an external mechanical switch of all-pole disconnection.



# OPERATION INSTRUCTIONS

## Instructions For Wall Controller

The speed can be adjusted from 0→5→0




# CLEANING AND MAINTENANCE

**The fan requires minimal maintenance. Do not try to fix it by yourself. Refer it to qualified service personnel if service is needed.**

1. Before cleaning and assembling, unplug the fan power.
2. Do not disassemble the fan to remove dust.  
Please wipe the exterior parts with a soft cloth soaking a mild detergent.
3. Do not use any abrasive detergent or solvents to avoid scratching the surface.
4. Do not use any of the following as a cleaner: gasoline, thinner.
5. Do not allow water or any other liquid entering into the motor housing or interior parts.

# TRADEMARKS, COPYRIGHTS AND LEGAL STATEMENT

 Midea logo, word marks, trade name, trade dress and all versions thereof are valuable assets of Midea Group and/or its affiliates (“Midea”), to which Midea owns trademarks, copyrights and other intellectual property rights, and all goodwill derived from using any part of an Midea trademark. Use of Midea trademark for commercial purposes without the prior written consent of Midea may constitute trademark infringement or unfair competition in violation of relevant laws.

This manual is created by Midea and Midea reserves all copyrights thereof. No entity or individual may use, duplicate, modify, distribute in whole or in part this manual, or bundle or sell with other products without the prior written consent of Midea.

All the described functions and instructions were up to date at the time of printing this manual. However, the actual product may vary due to improved functions and designs.

# DATA PROTECTION NOTICE

For the provision of the services agreed with the customer, we agree to comply without restriction with all stipulations of applicable data protection law, in line with agreed countries within which services to the customer will be delivered, as well as, where applicable, the EU General Data Protection Regulation (GDPR).

Generally, our data processing is to fulfil our obligation under contract with you and for product safety reasons, to safeguard your rights in connection with warranty and product registration questions. In some cases, but only if appropriate data protection is ensured, personal data might be transferred to recipients located outside of the European Economic Area.

Further information is provided on request. You can contact our Data Protection Officer via **MideaDPO@midea.com**. To exercise your rights such as right to object your personal data being processed for direct marketing purposes, please contact us via **MideaDPO@midea.com**. To find further information, please follow the QR Code.



*make yourself at home*



[www.midea.com](http://www.midea.com)

© Midea 2025 all rights reserved