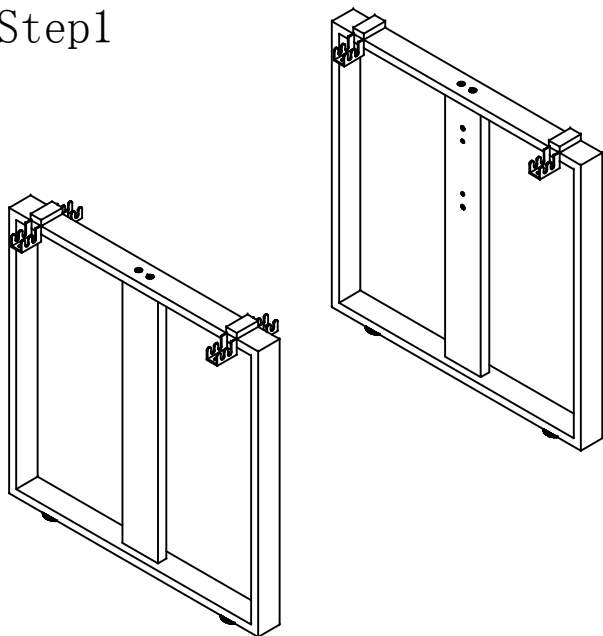
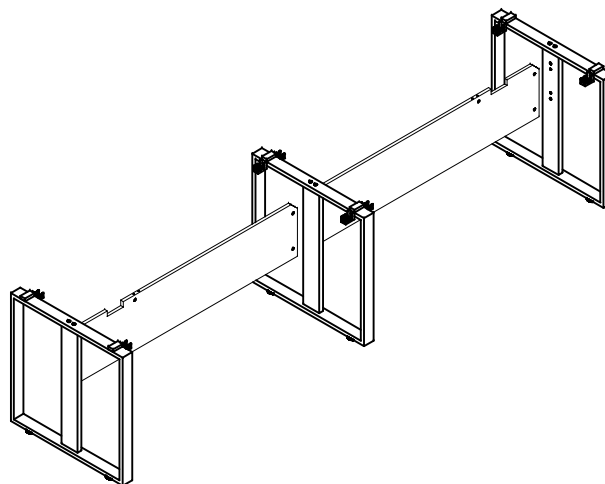


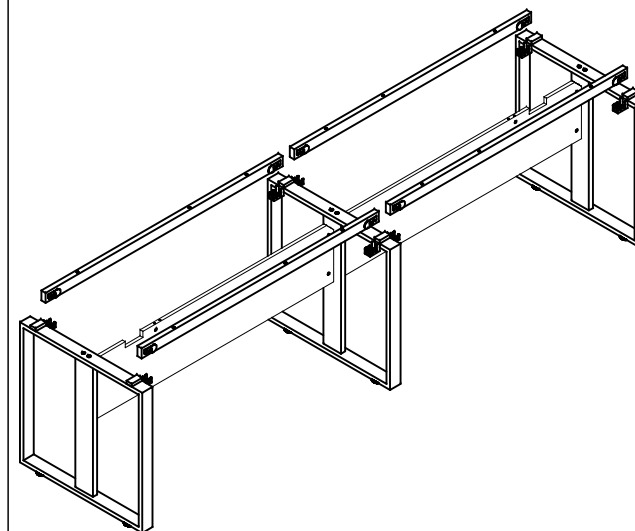
Step1



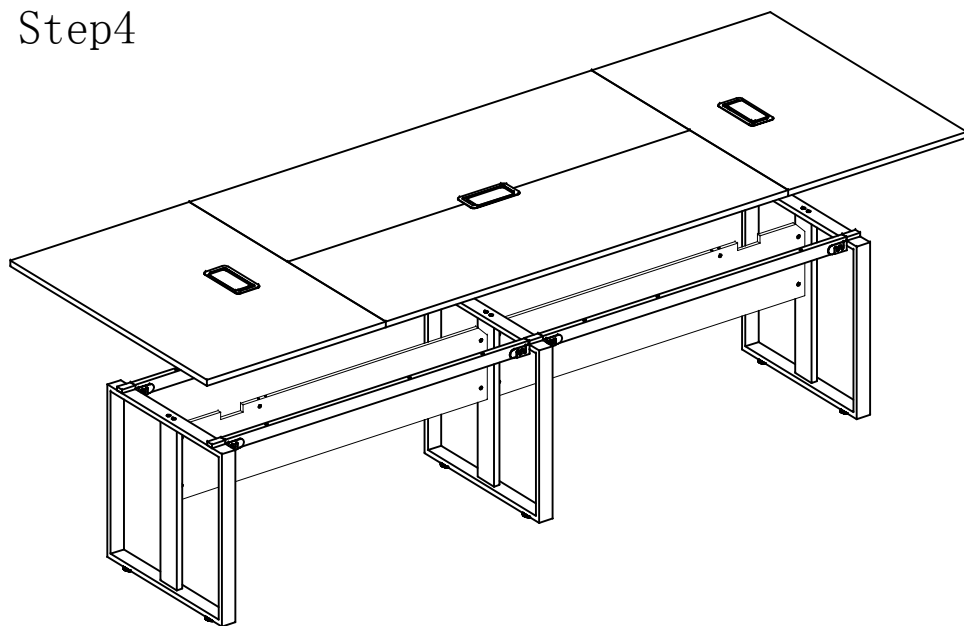
Step2



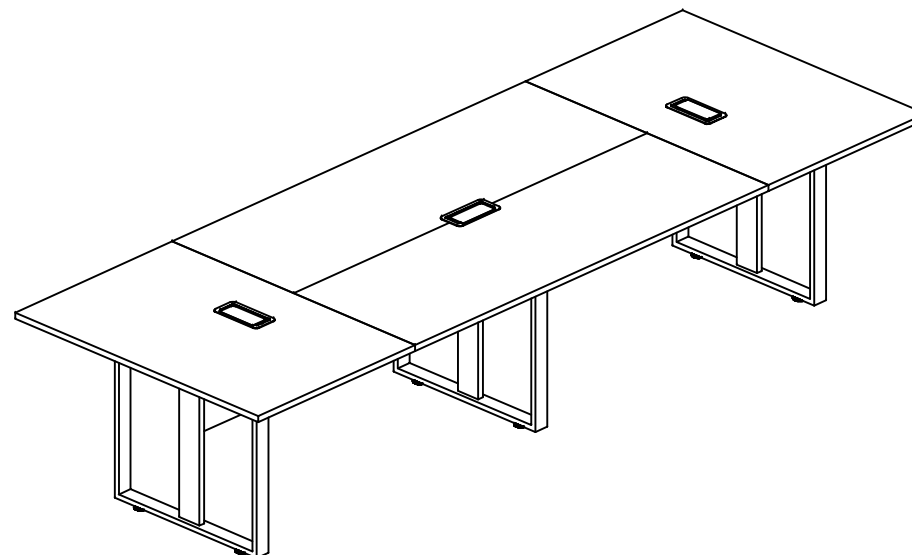
Step3



Step4



Finish



SYMBOL		CLIENT			
SIZE	4200*1400*750mm	UNIT	mm	THE 1 OF 1	Assembly drawing
					AD-4214