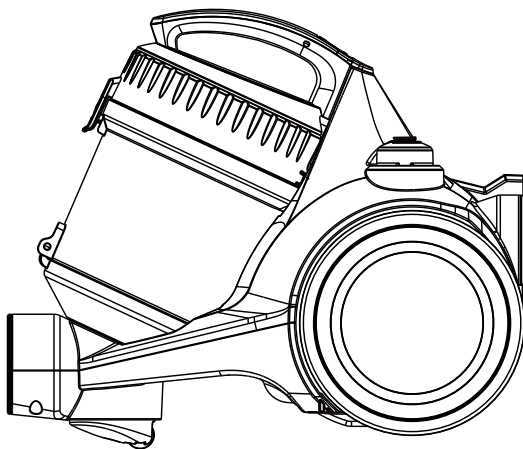




## INSTRUCTION MANUAL

### Vacuum Cleaner MVC-V18K-BG MVC-V18K-BA

PLEASE READ THE  
MANUAL CAREFULLY  
BEFORE USING AND  
KEEP IT PROPERLY FOR  
FUTURE USE

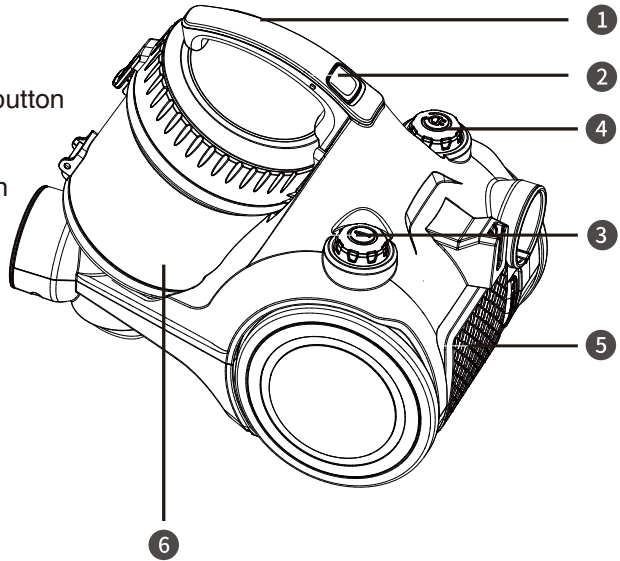


Warning notices: Before using this product, please read this manual carefully and keep it for future reference.

The design and specifications are subject to change without prior notice for product improvement. Consult with your dealer or manufacturer for details.

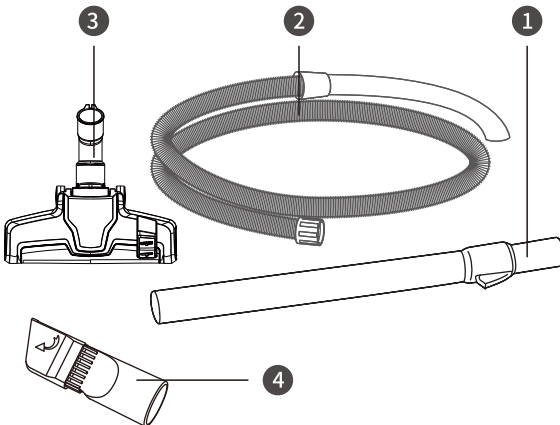
# STRUCTURE OF THE PRODUCT

- ① Handle
- ② Dust cup release button
- ③ Power button
- ④ Cord rewind button
- ⑤ Filter
- ⑥ Dust cup



## Accessories

This vacuum cleaner includes the following accessories:



- ① Telescoping metal wand
- ② Hose
- ③ Floor brush
- ④ Crevice tool



**To reduce the risk of fire, electric shock, or injury:**

- Do not use outdoors or on wet surfaces.
- **Do not leave vacuum cleaner when plugged in.** Turn off the switch and unplug the electrical cord when not in use and before servicing.
- Do not allow to be used as a toy. Close attention is necessary when used by or near children.
- Use only as described in this manual. Use only manufacturer's recommended attachments.
- Do not use with damaged cord or plug. If cleaner is not working as it should, has been dropped, damaged, left outdoors, or dropped into water, call the customer service HELPLINE at 03-92211033.
- Do not pull or carry by the cord, use cord as a handle, close door on cord, or pull cord around sharp edges or corners. Do not run vacuum cleaner over cord. Keep cord away from heated surfaces.
- Do not use extension cords or outlets with inadequate current carrying capacity.
- Turn off all controls before unplugging.
- Do not unplug by pulling on cord. To unplug, grasp the plug, not the cord.
- Do not handle the vacuum cleaner with wet hands or operate without shoes.
- Do not put any objects into openings. Do not use with any opening blocked; keep free of dust, lint, hair and anything that may reduce airflow.
- This vacuum cleaner creates suction. Keep hair, loose clothing, fingers, and all parts of body away from openings and moving parts.
- Do not pick up anything that is burning or smoking, such as cigarettes, matches, or hot ashes.
- Do not use without dust cup or filter(s) in place.
- Use extra care when cleaning on stairs.
- Do not use to pick up flammable or combustible liquids such as gasoline, or use on areas where they may be present.
- Store your cleaner indoors in a cool, dry area.
- Keep your work area well lit.
- Unplug electrical appliances before vacuuming them.
- Belt pulleys can become hot during normal use. To prevent burns, avoid touching the belt pulley when servicing the drive belt.
- Turn off the power switch and unplug cleaner before rotating the nozzle.

## SAVE THESE INSTRUCTIONS

**To reduce the risk of electric shock**, this appliance has a polarized plug (one blade is wider than the other). This plug will fit in a polarized outlet only one way. If the plug does not fully fit into the outlet, reverse the plug. If it still does not fit, contact a qualified electrician to install the proper outlet. Do NOT change the plug in any way.

### Thermal Cut Off

This vacuum cleaner has a special thermostat that protects the cleaner in case of motor overheating. If the cleaner suddenly shuts off, push the on/off switch off (O) and unplug the cleaner. Check the cleaner for a possible source of overheating such as a full dust cup, a blocked hose or clogged filter. If these conditions are found, fix them and wait at least 30 minutes before attempting to use the cleaner. After the 30 minute period, plug the cleaner back in and push the on/off switch on (I).

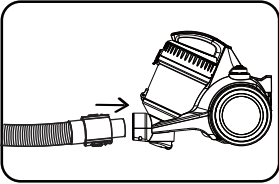


**Do Not Oil the motor or the brushroll at any time. The bearings are permanently lubricated and sealed.**

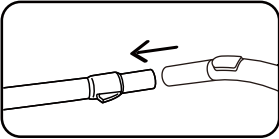
**ASSEMBLY**

Always disconnect the vacuum cleaner from the electrical socket before attaching or removing accessories.

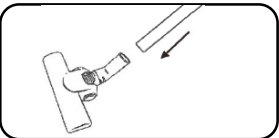
1. Attach the hose to the front of the vacuum cleaner by inserting it into the air inlet and twisting to the right. To remove the hose twist to the left and pull to detach.



2. Attach the telescoping wand to the hose at the bend by pushing the two components together.



3. Attach the floor nozzle to the wand by connecting the two and then twisting to secure.

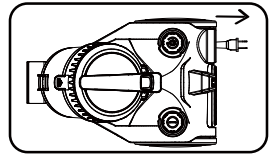


**CAUTION:** Always switch off the vacuum cleaner before connecting or disconnecting the hose/attachments or removing and emptying the dust cup.

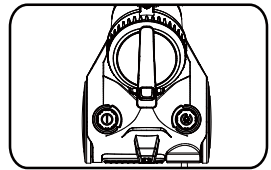
**IMPORTANT:** The vacuum cleaner is equipped with a thermal cut-off. If for any reason the vacuum deaner does overheat, the thermostat will automatically turn the vacuum cleaner off. If this happens ,switch the vacuum cleaner off and unplug it from the electrical socket. Remove and empty the dust cup also check the vacuum deaner for blockages. Allow the vacuum cleaner to cool for approximately 1 hour (if you have cleaned the incorrect space ,please wait 24 hours for the filters to fully dry before putting them back into the machine).

## Operation

Pull the power cord out of the vacuum cleaner and stop when you see the yellow mark. Make sure the red mark is not visible or you have pulled too far. When done cleaning, turn off the power, pull the plug out of the electrical socket, and then push the rewind button until the cord is completely retracted.



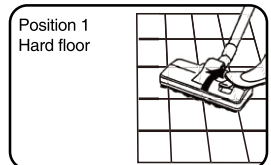
To turn on the vacuum cleaner, push the plug into an electrical socket and press the power button.



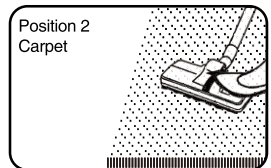
## Switching between carpet & hard floors

There is a switch located on the floor nozzle that can be pressed with your foot to switch between floor modes. The symbols shown below correspond to the type of floor the setting is for.

Position1: Bristles extended for hard floor 



Position2: Bristles retracted for carpet 



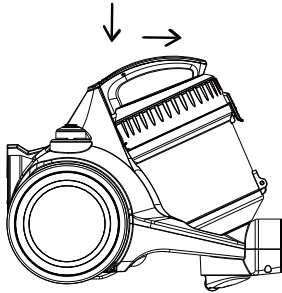
### Emptying the dust cup

Always switch off the vacuum and unplug it from the electrical socket before carrying out any maintenance or cleaning.

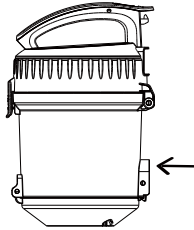
Empty the dust cup after each use. Also be sure to empty the dust cup anytime dust reaches the max fill line.

A full dust cup will reduce the efficiency of the vacuum cleaner so be sure to empty the dust cup regularly.

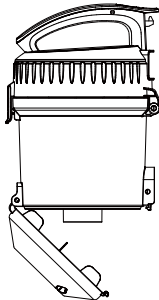
1. Press the dust cup release button and take the dust cup out of the vacuum.



2. Bring the dust cup over a trash receptacle and then press the release button to open the lower lid. The dust will fall out the bottom and into the trash.



3. Close the dust cup lid after dust has been fully emptied. Return the dust cup to the vacuum cleaner.

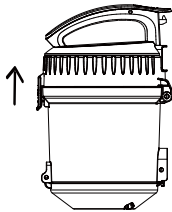


## Cleaning the Filter

The filter is an effective system for removing dust.

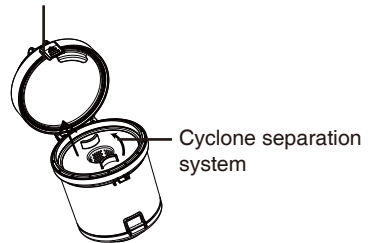
Sponge filters require cleaning on a monthly basis (or more depending on use frequency). Do not operate the vacuum cleaner without the sponge filter in place.

1. To remove the filter, pull on the dust cup lid clip and lift the cover upwards.



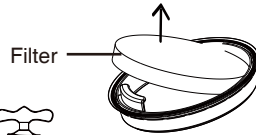
2. The filter is located inside the top cover of the dust cup. Pull on the handle of the filter housing then remove it.

Filter frame handle

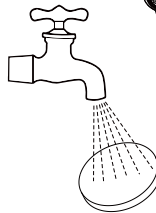


3. Tap the filter over a bin to remove the dust.

4. Take the sponge filter out of the filter housing.



5. Wash the filter under water (max. 40 degree).



**DO NOT USE DETERGENTS** to clean any part.

Leave it out to dry for 24 hours or until fully dry before placing it back in the vacuum cleaner.

6. Put the filter back into the housing. Put the housing and filter back into the dust cup lid. Finally, close the dust cup lid.

7. Place the dust cup back into the vacuum cleaner until a click is heard.



Make sure vacuum is turned off and power cord is unplugged.

#### NOTICE: Thermal cut-off

This vacuum cleaner has a special thermostat that protects the vacuum in case of motor overheating. **If the vacuum suddenly shuts off**, proceed as follows: 1) Push the power switch to off and unplug the vacuum. 2) Check the vacuum for a possible source of overheating such as a full dust cup, blocked hose or clogged filter. If these conditions are found, fix them and wait at least 30 minutes before attempting to use the vacuum. 3) After the **30 minute** period, plug the vacuum back in and turn on the switch. If the vacuum still does not work, call the Eureka Customer Service **HELPLINE** at **1-800-282-2886**.

Problem	Possible cause	Solution
<b>The vacuum cleaner does not turn on</b>	<ul style="list-style-type: none"> <li>• Too much dust in the cup</li> <li>• Filter is blocked</li> <li>• Hose is blocked</li> </ul>	<ul style="list-style-type: none"> <li>• Empty the dust cup</li> <li>• Rinse the filter</li> <li>• Clear the blockage</li> </ul>
<b>The vacuum cleaner does not work</b>	<ul style="list-style-type: none"> <li>• Electrical outlet is not connected or not working</li> <li>• Power switch was not turned on</li> </ul>	<ul style="list-style-type: none"> <li>• Ensure the plug is properly connected in the socket and the socket is active</li> <li>• Press the power button</li> </ul>
<b>The vacuum cleaner suddenly stops</b>	<ul style="list-style-type: none"> <li>• The dust cup is filled</li> <li>• The filter is blocked</li> <li>• Suction inlet of brush or accessories is blocked</li> </ul>	<ul style="list-style-type: none"> <li>• Empty the dust cup</li> <li>• Clean the filter</li> <li>• Clear the blockage</li> </ul>

#### Connecting to an electrical socket

Please check that the voltage indicated on the product corresponds with your supply voltage.



### Correct Disposal of this product



This marking indicates that this product should not be disposed with other household wastes throughout the EU. To prevent possible harm to the environment or human health from uncontrolled waste disposal, recycle it responsibly to promote the sustainable reuse of material resources. To return your used device, please use the return and collection systems or contact the retailer where the product was purchased. They can take this product for environmental safe recycling.