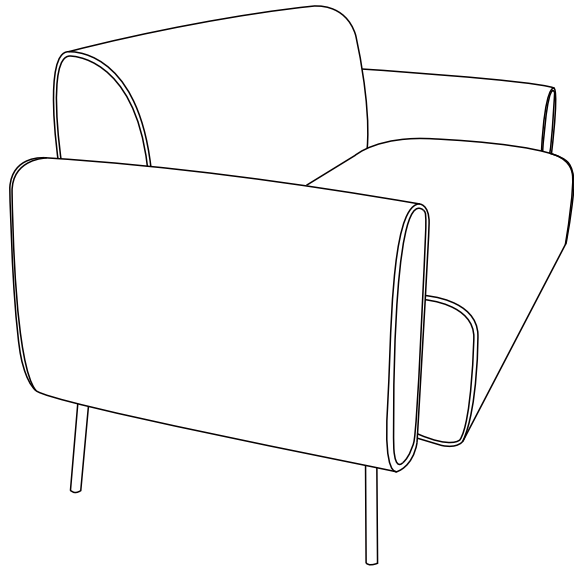
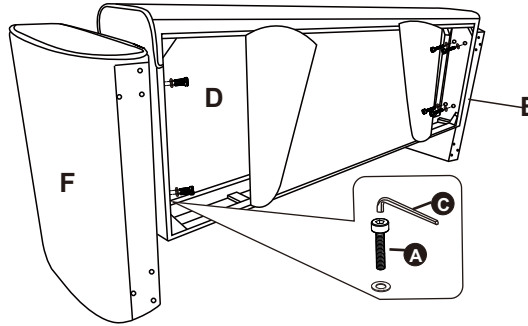


# ASSEMBLY INSTRUCTION

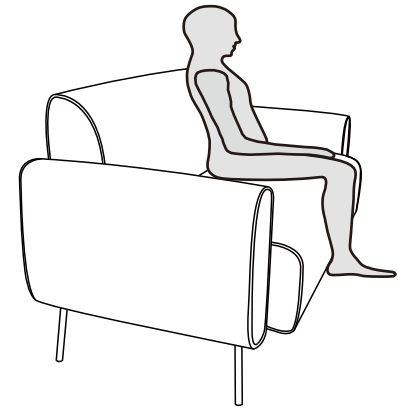


**1**



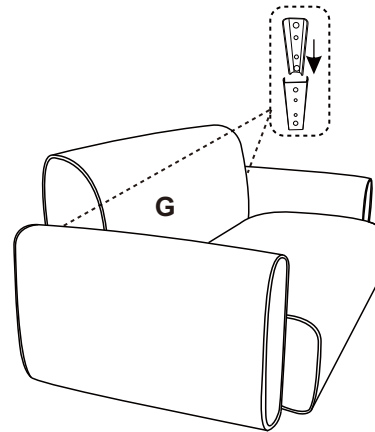
Tighten the screws to 90% tightness.

**4**

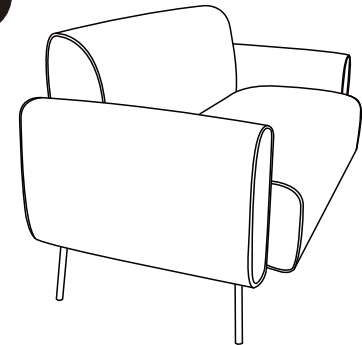


Tight all the screws to 100%

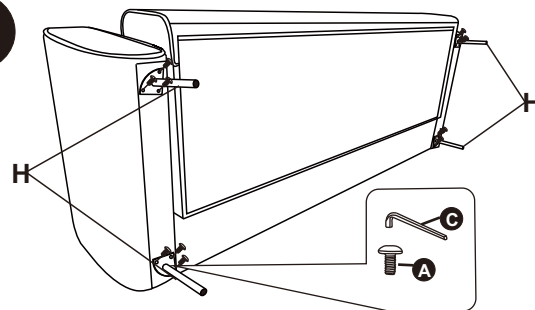
**2**






**5**



**3**



Tighten the screws to 90% tightness.

HARDWARE LIST	CODE	PARTS	
	A	M8x40MM 	8
	B	M6 x18MM 	12
	C	ALLEN KEY 	1