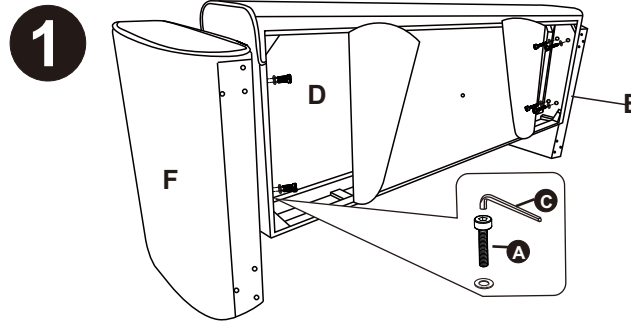
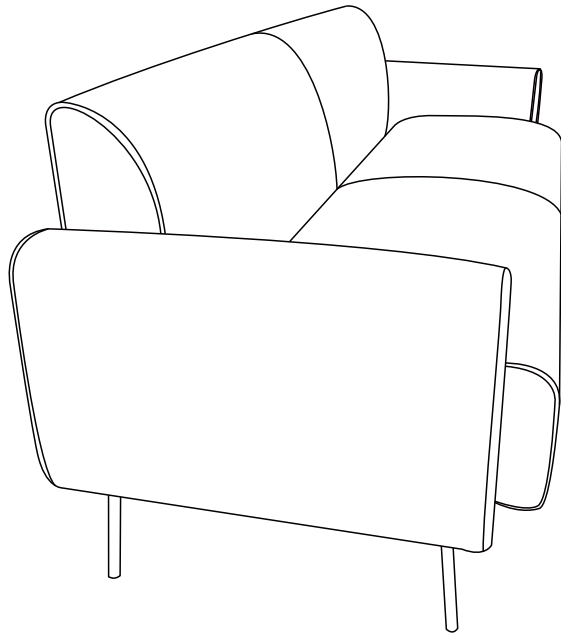
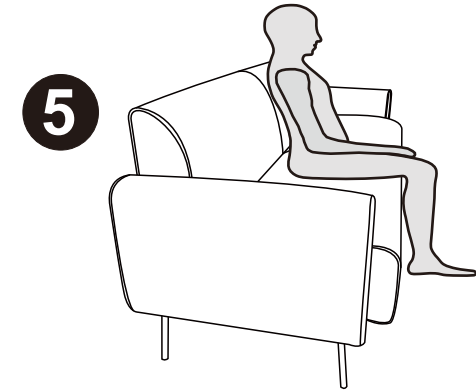
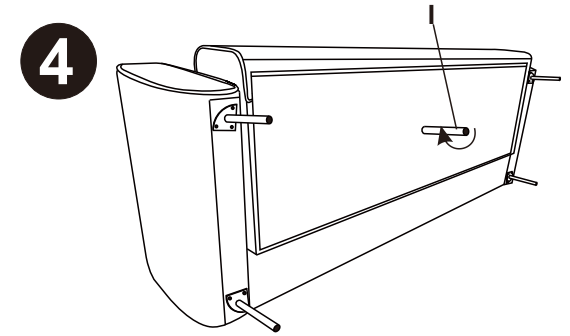
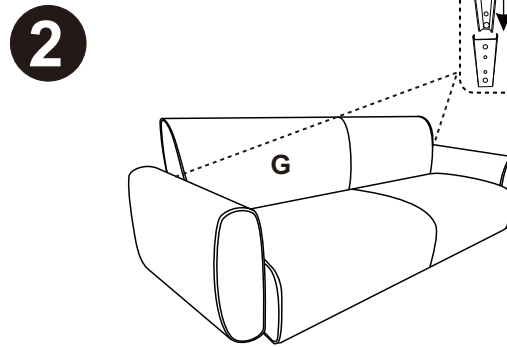


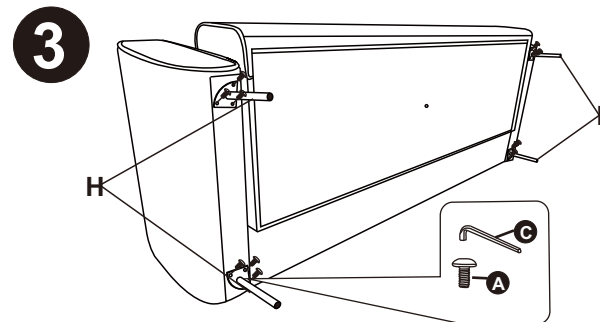
ASSEMBLY INSTRUCTION



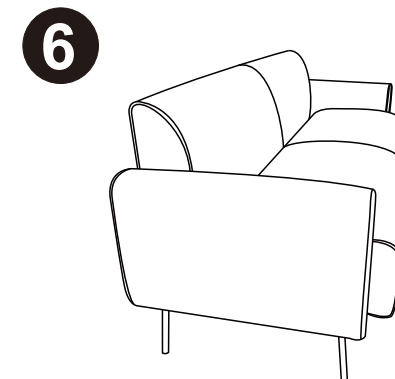
Tighten the screws to 90% tightness.







Tight all the screws to 100%



Tighten the screws to 90% tightness.



HARDWARE LIST	CODE	PARTS	
	A	M8x40MM  	8
	B	M6 x18MM 	12
	C	ALLEN KEY 	1