

# AKAVEE

*KETTLE*

## INSTRUCTION MANUAL



MODEL: AKV-5801B-GS

Read this booklet thoroughly before using and save it for future reference.



## **IMPORTANT SAFEGUARDS**

1. Read all instructions before using.
2. Before connecting the kettle to the power supply, check that the voltage indicated on the appliance (underside the kettle & base) corresponds with the voltage in your home. If this is not the case, contact your dealer and do not use the kettle.
3. The attached base can not be used for other than intended use.
4. Do not operate the appliance without load to avoid damaging the heat elements.
5. Unplug from the outlet when not in use.
6. Do not let the cord hang over edge of table counter or touch hot surface.
7. Do not place on or near a hot gas or electric burner or in a heated oven.
8. Should you accidentally allow the kettle to operate without water, the boil-dry protection will automatically switch it off. If this should occur, allow the kettle to cool before filling with cold water and re-boiling.
9. Ensure that kettle is used on a firm and flat surface where the children can't touch, this can prevent from overturning the kettle to damage the person or kettle.
10. To protect against a fire, electric shock or personal injury, do not immerse cord, electric plugs or kettle in water or other liquids.
11. Always take care to pour boiling water slowly and carefully without tipping the kettle too fast.
12. Be careful when opening the lid for refilling when the kettle is hot.
13. Close supervision is necessary when any appliance is used by or near children.
14. Do not touch the hot surface. Use the handle or the button.
15. Extreme caution must be used when moving an appliance containing hot water.
16. The appliance is not a toy. Do not let the children play it.
17. The use of attachments that are not recommended by the appliance manufacturer may result in fire, electric shock or personal injury.
18. While boiling water, avoid to contacting steam from the spout when water is boiling or just after it has switched off. Do not be anxious to uncover the lid.
19. Unplug from outlet when not in use and before cleaning; Allow it to cool before putting on or taking off parts and before cleaning the appliance.
20. Always ensure the lid is closed and do not lift it while the water is boiling. Scalding may occur if the lid is removed during the brewing cycles.
21. If the supply cord is damaged, it must be replaced by the manufacturer or its service agent or a similarly qualified person in order to avoid a hazard.
22. Do not use the appliance for other than intended use.
23. Do not move the unit while the kettle is switched on.
24. The kettle can only use with the stand provided.
25. If the kettle is overfilled, boiling water may be ejected.
26. Do not use the kettle outdoors.
27. This appliance can be used by children aged from 8 years and above if they have been given supervision or instruction concerning use of the appliance in a safe way and if they understand

the hazards involved. Cleaning and user maintenance shall not be made by children unless they are older than 8 and supervised. Keep the appliance and its cord out of reach of children aged less than 8 years.

28. Children shall not play with the appliance.

29. Appliances can be used by persons with reduced physical, sensory or mental capabilities or lack of experience and knowledge if they have been given supervision or instruction concerning use of the appliance in a safe way and understand the hazards involved.

30. This appliance is intended to be used in household and similar applications such as:

- Staff kitchen areas in shops, offices and other working environments;
- Farm houses;
- By clients in hotels, motels and other residential type environments;
- Bed and breakfast type environments.

31. Save these instructions.

32. This appliance has been incorporated with a grounded plug. Please ensure the wall outlet in your house is well earthed.

33. **WARNING:** During the boiling process and when pouring out hot water ,the lid must be kept closed at all time.

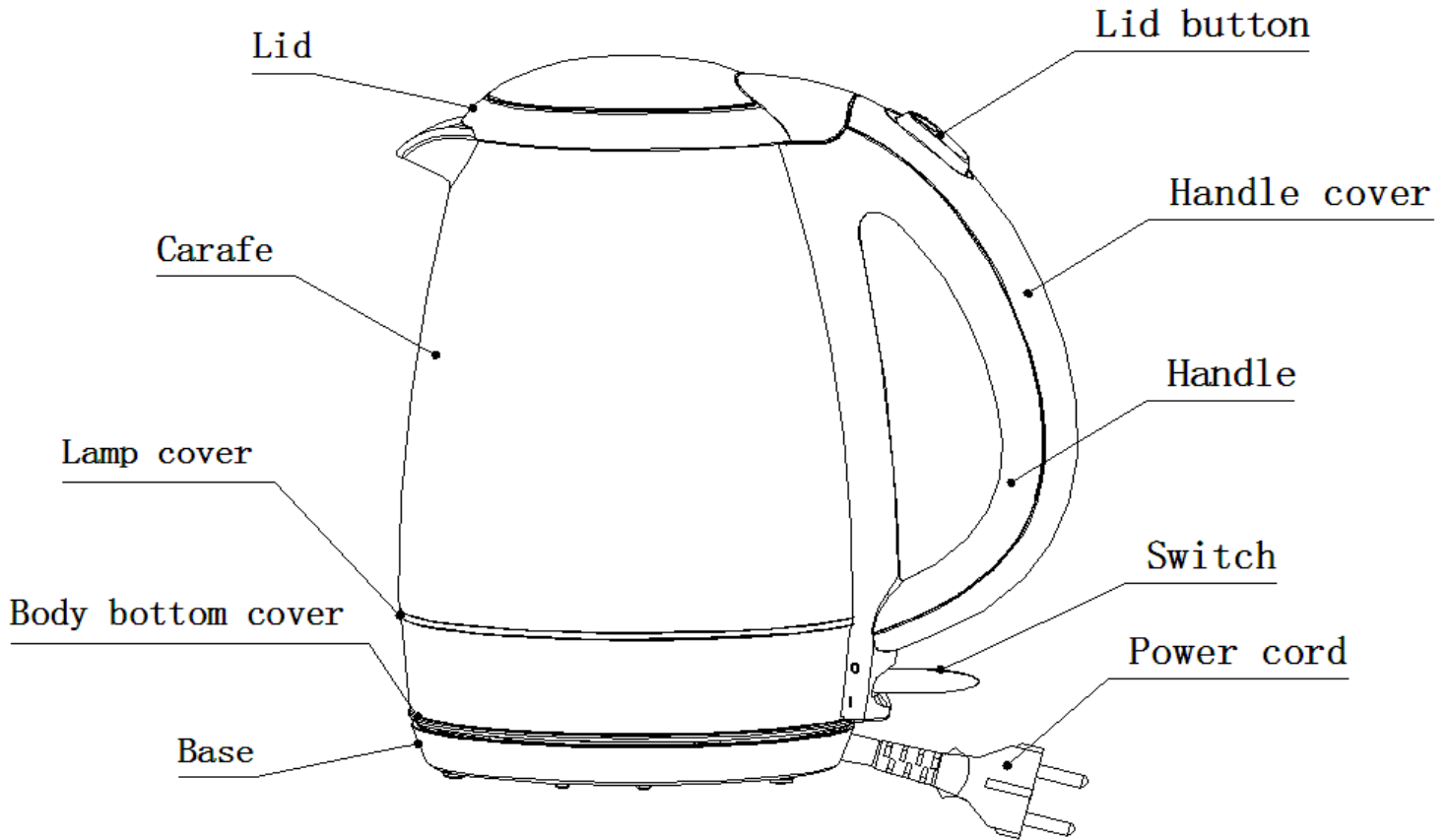
34.The kettle is only to be used with the stand provided.

35.**CAUTION:** Insure that the kettle is switched off before removing it from its stand.

36.The appliance must not be immersed.

37.If symbol IEC 60417-5041 is marked on the appliance, the instruction shall state that surfaces are liable to get hot during use.

## Know your kettle



### Before initial use

If you are using the kettle for the first time, it is recommended that you clean your kettle before use by boiling a full kettle of water twice and then discarding the water.

### Operation

1. To fill water into the kettle, remove it from the power base and open the lid by press down the lid button, fill with the desired amount of water to the kettle. Always fill the kettle between the minimum (0.5L) and maximum (1.7L) marks. Too little water will result in the kettle switching off before the water has boiled.

**NOTE: Do not fill the water over the maximum level, as water may spill out of the spout when boiling. Ensure that the lid is firmly in place before connecting the power cord to the outlet.**

2. Close the lid. Position the kettle on the power base in place. Make sure the kettle contact with the power base completely.

3. Connect the plug into a power outlet. Lift the switch upwards to “1” position and the switch light illuminates. Then start to boil the water. The kettle will switch off automatically once the water has boiled and the switch light extinguishes. You can shut off the power by pressing the switch at any moment during boiling water.

**NOTE: Ensure that switch is clear of obstructions and the lid is firmly closed. The kettle will not turn off if the switch is constrained or if the lid is left open.**

4. Lift the kettle from the power base and then pour the water.

**NOTE: Operate carefully when pouring the water from your kettle as boiling water may result in scald, besides, don't open the lid while the water in the kettle is hot.**

5. The kettle will not re-boil until the switch is uplifted. Allow to cool for 15~20 seconds before reopening to boil water. The kettle may be stored on the power base when not in use.

**NOTE: Ensure power supply is turned off when kettle is not in use.**

## **Boil-dry protection**

Should you accidentally allow the kettle to operate without water, the boil-dry protection will automatically switch it off. If this should occur, allow the kettle to cool before filling with cold water and re-boiling.

## **Care and cleaning**

1. Before cleaning the appliance, ensure it is disconnected from the power supply and has cooled down completely.

2. To avoid the risk of electric shock, do not clean the kettle and the base with water and do not immerse them in water. Do not clean under running water.

3. For cleaning, a slightly damp, lint-free cloth may be used.

4. Do not use abrasives or harsh cleaning solutions, and do not use hard brushes for cleaning.

## **Descaling:**

1. Depending on the water quality in your area, lime deposits may build up on the heating element. It is advisable to remove any such deposits at regular intervals.

**2. Any warranty claim will be null and void if the appliance malfunctions because of insufficient descaling.**

3. A mixture 0.5 liters of water and 40 ml of vinegar essence is suitable.

- . Pour the descaler in.
- . Switch the appliance on and let the solution reach boiling point.
- . Leave it to take effect for a short period.
- . To clean the container after descaling, rinse thoroughly with clean water.

4. During descaling, ensure sufficient ventilation and do not inhale any vinegar vapours.

5. Do not pour descalers down enamel-coated sinks.

### **Cleaning external housing**

Wipe the external housing with a soft damp brush.

**CAUTION: Do not use chemical, steel, wooden or abrasive cleaners to clean the outside of the kettle.**

### **Cleaning the filter**

If necessary, clean the filter with a soft damp brush at intervals.

### **Storage**

When not in use or storage, the power cord may be wound around the cord storage under the base of kettle.

## **Environment friendly disposal**



You can help protect the environment!

Please remember to respect the local regulations:  
hand in the non-working electrical equipments to  
an appropriate waste disposal center.

